



Chipsmall Limited consists of a professional team with an average of over 10 year of expertise in the distribution of electronic components. Based in Hongkong, we have already established firm and mutual-benefit business relationships with customers from,Europe,America and south Asia,supplying obsolete and hard-to-find components to meet their specific needs.

With the principle of "Quality Parts,Customers Priority,Honest Operation,and Considerate Service",our business mainly focus on the distribution of electronic components. Line cards we deal with include Microchip,ALPS,ROHM,Xilinx,Pulse,ON,Everlight and Freescale. Main products comprise IC,Modules,Potentiometer,IC Socket,Relay,Connector.Our parts cover such applications as commercial,industrial, and automotives areas.

We are looking forward to setting up business relationship with you and hope to provide you with the best service and solution. Let us make a better world for our industry!



Contact us

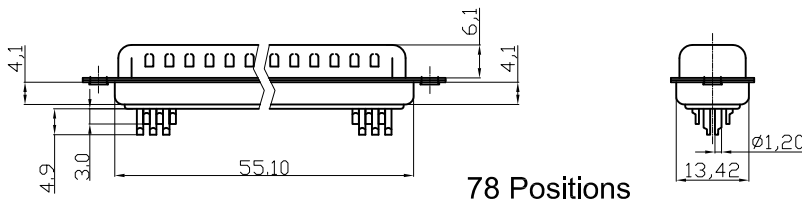
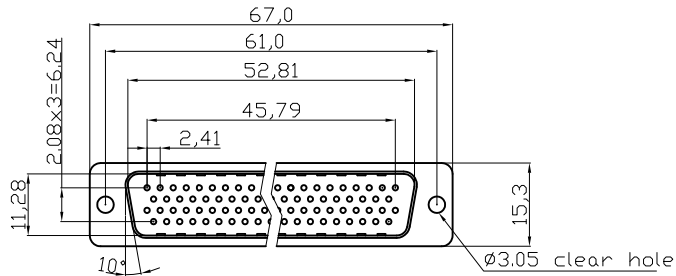
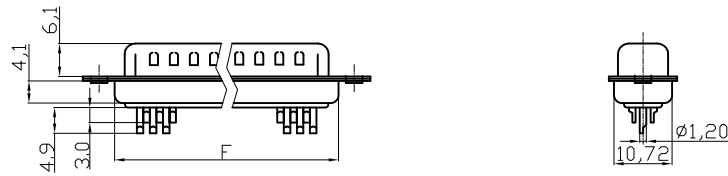
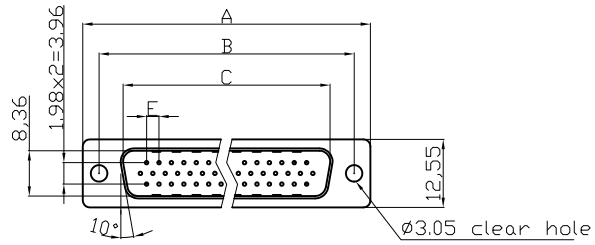
Tel: +86-755-8981 8866 Fax: +86-755-8427 6832

Email & Skype: info@chipsmall.com Web: www.chipsmall.com

Address: A1208, Overseas Decoration Building, #122 Zhenhua RD., Futian, Shenzhen, China



Male



Product Specification

Material

Insulator :Glass-Filled Thermoplastic PBT,UL94V-0 rated,Black
 Contact : Copper alloy, Gold flash selective gold plating
 Shell : Steel, 100u" Tin Over 50u" min Copper

Electrical

Contact Resistance :20 milliohms Max at 1 AMP DC.
 Insulation Resistance :1000 magohms at 500 VDC
 Dielectric Withstanding Voltage :1000 VAC/rms 60Hz for 1 minute
 Current Rating : 3 AMP
 Volatge Rating :250 VAC/rms 60Hz
 Operating Temperature: -20°C ~ +85°C

Order Code:

A-HDx xx LL/Z

Contact style: No. of Contacts
 F - Female 15 / 26 / 44 / 62
 S - Male Standard: Quality class III

Dimensions

Positions	A	B	C	E	F
15	30.81	24.99	16.92	2.29	19.20
26	39.20	33.30	25.25	2.29	27.70
44	53.04	47.04	38.96	2.29	41.10
62	69.40	63.50	55.42	2.41	57.30

RoHS compliant

Unit: mm



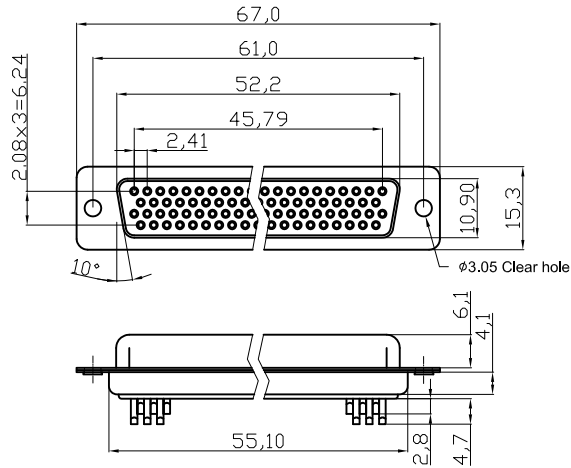
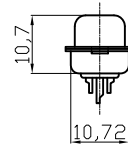
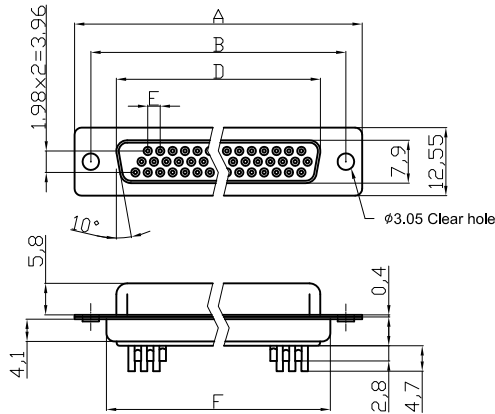
File No.: E198287

Scale	Free				Date	Name	Customer-No.
TOLERANCE				Drawn	15.08.2012	Lucas	ASSMANN WSW-No. A-HDx xx LL/Z
X.	±0.38			Approved	15.08.2012	Winnie	
X.X	±0.25						
X.XX	±0.13						
DIM	TOL						
X.°	±3°						Drawing-No.
X.X°	±1.0°	Ⓢ Drawn		15.08.2012	Lucas		ASS 4895 CO
Angle	TOL	Id.	Modification	Date	Name		rev00
							Sheet 1/2



Drawing-No.	ASS 4895 CO	rev00
Replace		Sheet 1/2

Female



78 Positions

NOTES:

MATERIAL

Insulator Material: Glass-filled thermoplastic PBT, UL94V-0 rated, Black
 Contact Material: Copper alloy, Gold flash selective gold plating
 Shell : Steel, 100 μ" Tin Over 50μ" min Copper

Electrical

Contact Resistance : 20 milliohms Max at 1 AMP DC.
 Insulation Resistance : 1000 megohms at 500 VDC
 Dielectric Withstanding Voltage: 1000 VAC/rms 60Hz for 1 minute
 Current Rating : 3 AMP
 Voltage Rating : 250 VAC/rms 60Hz
 Operating Temperature: -20°C+85°C

Dimensions

Positions	A	B	D	E	F
15	30.81	24.99	16.33	2.29	19.20
26	39.20	33.30	24.70	2.29	27.70
44	53.05	47.04	38.40	2.29	41.10
62	69.40	63.50	54.80	2.41	57.30

RoHS compliant

Unit: mm



File No.: E198287

Scale	Free				Date	Name	Customer-No.
TOLERANCE					Drawn	15.08.2012	Lucas
X.	±0.38				Approved	15.08.2012	Winnie
X.X	±0.25						
X.XX	±0.13						
DIM	TOL						
X.°	±3°						
X.X°	±1.0°	ⓐ	Drawn	15.08.2012	Lucas		
Angle	TOL	Id.	Modification	Date	Name		



Drawing-No.		ASSMANN WSW-No.
ASS 4895 CO		A-HDx xx LL/Z
Replace	rev00	
	Sheet	
	2/2	