



Chipsmall Limited consists of a professional team with an average of over 10 year of expertise in the distribution of electronic components. Based in Hongkong, we have already established firm and mutual-benefit business relationships with customers from,Europe,America and south Asia,supplying obsolete and hard-to-find components to meet their specific needs.

With the principle of “Quality Parts,Customers Priority,Honest Operation,and Considerate Service”,our business mainly focus on the distribution of electronic components. Line cards we deal with include Microchip,ALPS,ROHM,Xilinx,Pulse,ON,Everlight and Freescale. Main products comprise IC,Modules,Potentiometer,IC Socket,Relay,Connector.Our parts cover such applications as commercial,industrial, and automotives areas.

We are looking forward to setting up business relationship with you and hope to provide you with the best service and solution. Let us make a better world for our industry!



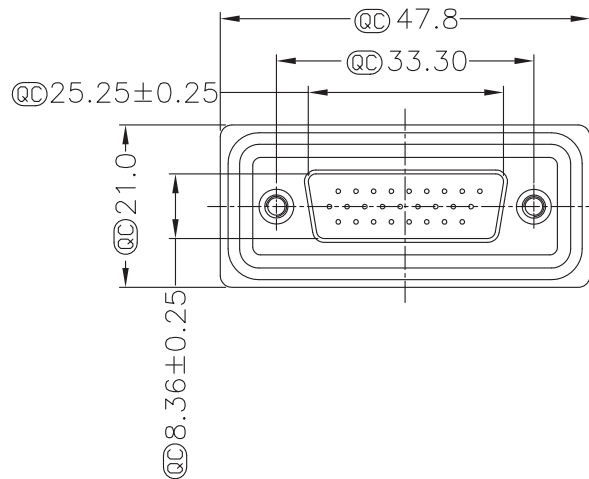
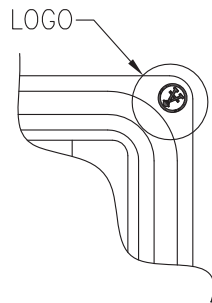
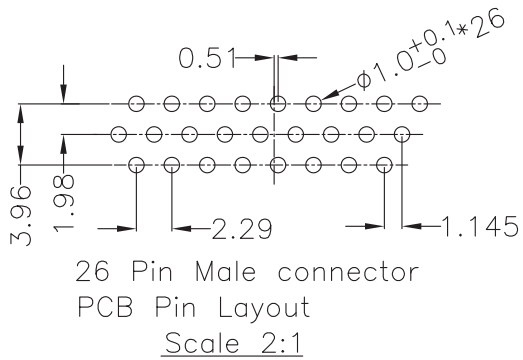
Contact us

Tel: +86-755-8981 8866 Fax: +86-755-8427 6832

Email & Skype: info@chipsmall.com Web: www.chipsmall.com

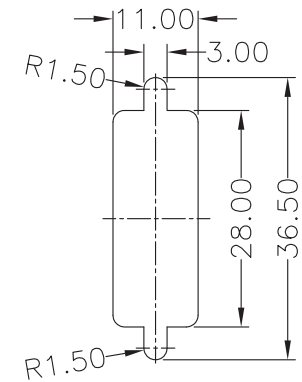
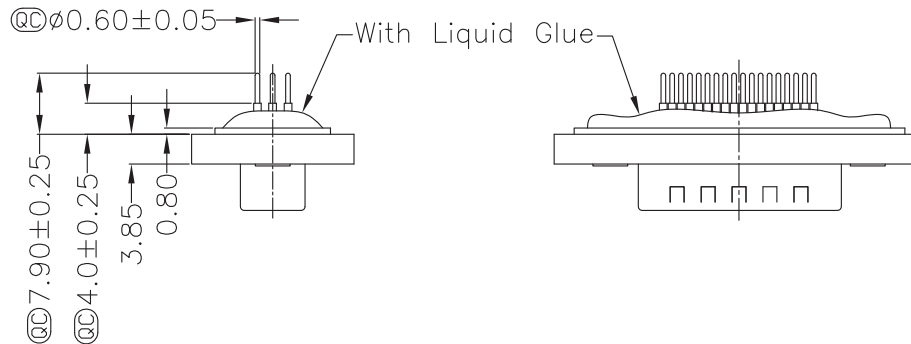
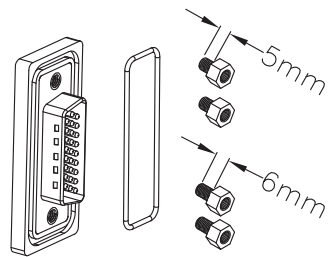
Address: A1208, Overseas Decoration Building, #122 Zhenhua RD., Futian, Shenzhen, China





Screw L=5.0 For Panel Thickness Under 1.2mm

Screw L=6.0 For Panel Thickness Between 1.2~2.0mm



Recommended Panel Cut-Out

Material:

- Waterproof rate: IP67
- Connector: Black, Nylon+GF
- Pin: Copper alloy, Gold plated

Unit: mm



Scale	Free					Date	Name	
TOLERANCE						Drawn	30.11.11	Chappell
X.X	± 0.25					Approved		
X.XX	± 0.10							
X.XXX	± 0.05							
DIM	TOL							
X.°	$\pm 1^\circ$							
X.X°	$\pm X^\circ$							
Angle	TOL	Id.	Modification	Date	Name			

Title	
Waterproof DSub connector High Density, Straight 26 pin, Male	
ASSMANN WSW-No. A-HDS26PP-WP	
Drawing-No.	rev00
Replace	Sheet 1/1

1

2

3

4

5

6

7