



Chipsmall Limited consists of a professional team with an average of over 10 year of expertise in the distribution of electronic components. Based in Hongkong, we have already established firm and mutual-benefit business relationships with customers from,Europe,America and south Asia,supplying obsolete and hard-to-find components to meet their specific needs.

With the principle of “Quality Parts,Customers Priority,Honest Operation,and Considerate Service”,our business mainly focus on the distribution of electronic components. Line cards we deal with include Microchip,ALPS,ROHM,Xilinx,Pulse,ON,Everlight and Freescale. Main products comprise IC,Modules,Potentiometer,IC Socket,Relay,Connector.Our parts cover such applications as commercial,industrial, and automotives areas.

We are looking forward to setting up business relationship with you and hope to provide you with the best service and solution. Let us make a better world for our industry!



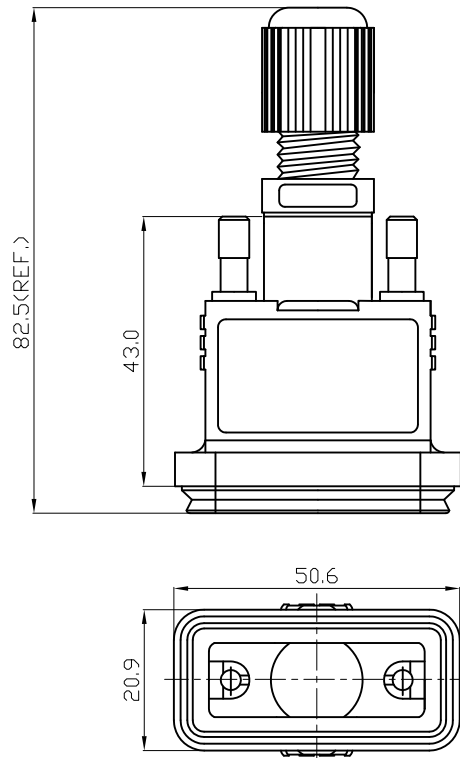
Contact us

Tel: +86-755-8981 8866 Fax: +86-755-8427 6832

Email & Skype: info@chipsmall.com Web: www.chipsmall.com

Address: A1208, Overseas Decoration Building, #122 Zhenhua RD., Futian, Shenzhen, China





NOTES:

- 1. Seals for Cable OD: $\phi 6.0\text{mm}$ - $\phi 10.0\text{mm}$
- 2. One Set Unassembled in One Zipper Bag(#4)

RoHS compliant

Scale	1:1					Date	Name	Customer-No.	
TOLERANCE					Drawn	08.01.2009	JACK	ASSMANN WSW-No. A-HOOD-15/26	
X.X	± 0.5				Approved	25.12.2009	Hellwig		
X.XX	$\pm X$								
X.XXX	$\pm X$								
DIM	TOL	②	Modify drawing	25.12.2009	Dean	ASSMANN WSW components		Drawing-No.	
X°	$\pm X^\circ$							ASS 3304 CO	rev02
X.X°	$\pm X^\circ$	①	Drawn	08.01.2009	JACK			Replace	Sheet
Angle	TOL	Id.	Modification	Date	Name				