



Chipsmall Limited consists of a professional team with an average of over 10 year of expertise in the distribution of electronic components. Based in Hongkong, we have already established firm and mutual-benefit business relationships with customers from,Europe,America and south Asia,supplying obsolete and hard-to-find components to meet their specific needs.

With the principle of “Quality Parts,Customers Priority,Honest Operation,and Considerate Service”,our business mainly focus on the distribution of electronic components. Line cards we deal with include Microchip,ALPS,ROHM,Xilinx,Pulse,ON,Everlight and Freescale. Main products comprise IC,Modules,Potentiometer,IC Socket,Relay,Connector.Our parts cover such applications as commercial,industrial, and automotives areas.

We are looking forward to setting up business relationship with you and hope to provide you with the best service and solution. Let us make a better world for our industry!



## Contact us

Tel: +86-755-8981 8866 Fax: +86-755-8427 6832

Email & Skype: info@chipsmall.com Web: www.chipsmall.com

Address: A1208, Overseas Decoration Building, #122 Zhenhua RD., Futian, Shenzhen, China



4	CONTACTS(TYPE2)	3	COPPER ALLOY/ PLATED GOLD IN CONTACT AREA ; TIN-LEAD ON TAILS
3	CONTACTS(TYPE1)	3	COPPER ALLOY/ PLATED IN CONTACT AREA ; TIN-LEAD ON TAILS
2	HOUSING	1	THERMOPLASTIC, GLASS FILLED, 130°C UL 94V-0 RATED
1	SHELL	1	STEEL/TIN-LEAD PLATED OVER COPPER

REV.	DESCRIPTION	DRWN/DATE	CHECK/DATE	APPROVED/DATE
A	NEW RELEASE PER ECR-01110	PETER 03/20/01'	~	MAX 04/02/01'
B	REV PER SZECH-01805 $\Delta$ X2	FLYING 11/14/01'	TOM 11/15/01'	MAX 11/15/01'
C	REV PER SZECH-02351 $\Delta$ X7	FLYING 08/19/02'	~	TOM 08/19/02'

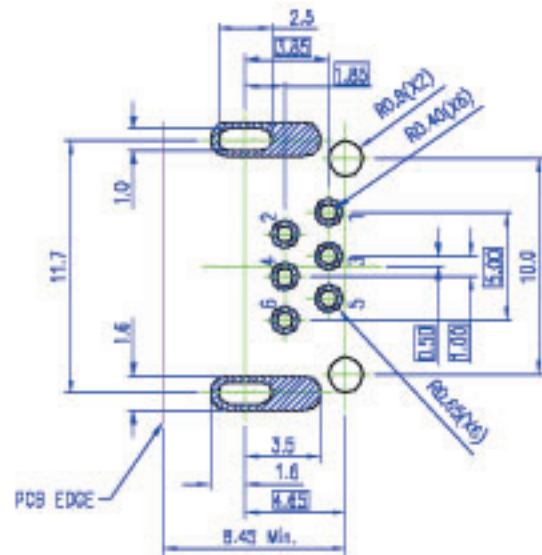
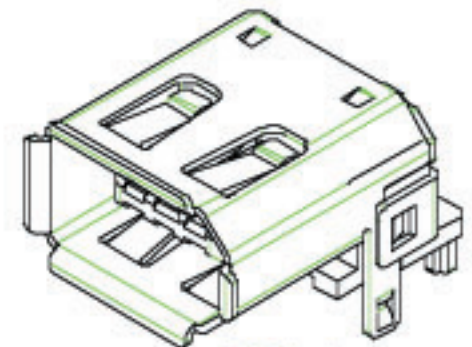
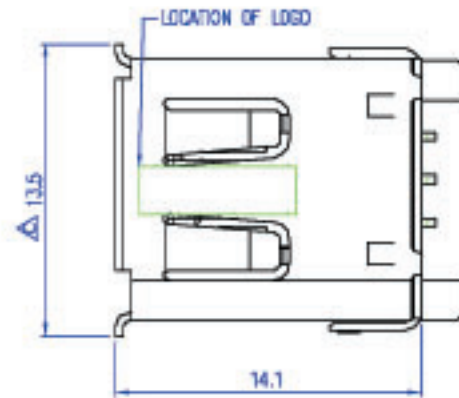


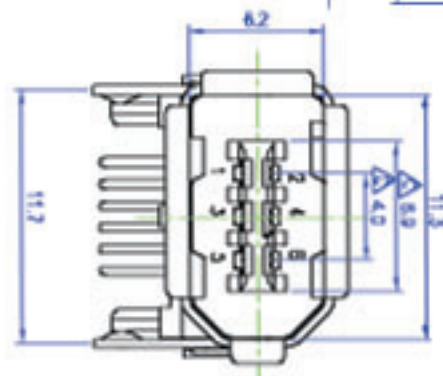
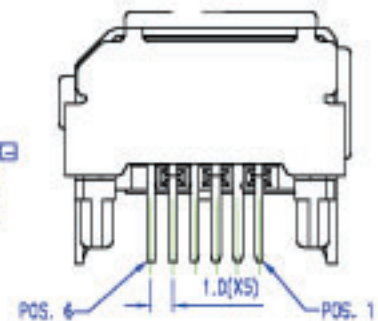
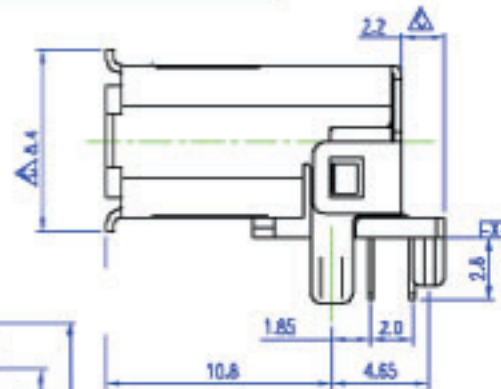
FIGURE A: PCB FOOTPRINT FOR RECEPTACLE (THROUGH-HOLE)

NOTES :

1. RECOMMENDED PC BOARD THICKNESS OF 1.57mm
2. THIS ALLOW FOR A PANEL THICKNESS OF 2.87mm MAXIMUM, IF THE RECEPTACLE CONNECTOR IS MOUNTED BEHIND A PANEL.
3. RECOMMENDED PC BOARD MOUNTING DIMENSION : REFER TO FIGURE A
4. PRODUCT NUMBERING CODE : REFER TO TABLE A
5. DATUM AND BASIC DIMENSIONS ESTABLISHED BY CUSTOMER
6. PRODUCT SPECIFICATION NO. : CSP-FMW10-00-00
- $\Delta$  7. ELECTRICAL CHARACTERISTICS:
  - 7.1. LOW LEVEL CONTACT RESISTANCE: 30 MILLIOHMS Max.
  - 7.2. DIELECTRIC WITHSTANDING VOLTAGE: 500 VAC
  - 7.3. INSULATOR RESISTANCE: 100 MEGAOHMS Min.
  - 7.4. CONTACT CURRENT RATING: 1.0 Ampere Max
- $\Delta$  8. MECHANICAL CHARACTERISTICS:
  - 8.1. CONNECTOR MATING FORCE: 39.2 Newtons Max
  - 8.2. CONNECTOR UNMATING FORCE: 9.8 Newtons Min
  - 8.3. DURABILITY: 1500 CYCLES
  - 8.4. TEMPERATURE RANGE: +15°C TO +85°C



SCALE 4 : 1



GENERAL TOLERANCE		ANGLE TOLERANCE		DRWEN	DNTE	ASSMANN ELECTRONICS, INC.	
X	±0.35	K	±3.0°	PETER	12/13/00'	FILE	
X	±0.25	X	±2.0°	OSWEN	DNTE		
JX	±0.15	JX	±1.0°	Max	09/27/00'	A-IE-S-DIP	
J00	±0.05	J00	±1.0°	Q-CHECKED	DNTE		
MATERIAL: SEE NOTES		APPROVED		Max	DNTE	SERIES	REV. A3
FINISH: SEE NOTES		UNIT		mm	04/02/01'	DRAWING NO.	REV. C
SCALE 4 : 1		SHEET		1	of 2	C-FMW20-00-00	