



Chipsmall Limited consists of a professional team with an average of over 10 year of expertise in the distribution of electronic components. Based in Hongkong, we have already established firm and mutual-benefit business relationships with customers from,Europe,America and south Asia,supplying obsolete and hard-to-find components to meet their specific needs.

With the principle of “Quality Parts,Customers Priority,Honest Operation,and Considerate Service”,our business mainly focus on the distribution of electronic components. Line cards we deal with include Microchip,ALPS,ROHM,Xilinx,Pulse,ON,Everlight and Freescale. Main products comprise IC,Modules,Potentiometer,IC Socket,Relay,Connector.Our parts cover such applications as commercial,industrial, and automotives areas.

We are looking forward to setting up business relationship with you and hope to provide you with the best service and solution. Let us make a better world for our industry!



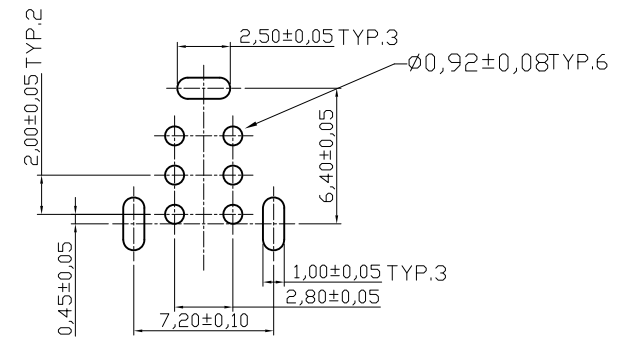
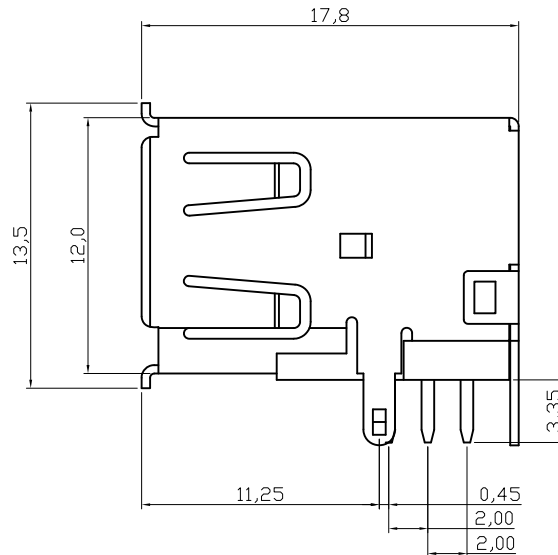
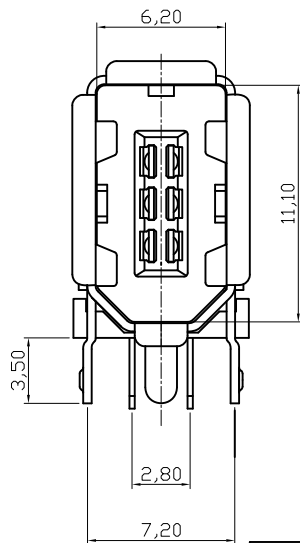
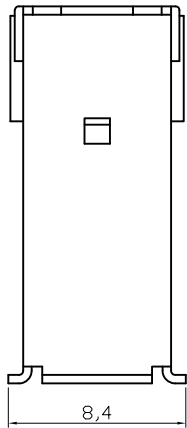
Contact us

Tel: +86-755-8981 8866 Fax: +86-755-8427 6832

Email & Skype: info@chipsmall.com Web: www.chipsmall.com

Address: A1208, Overseas Decoration Building, #122 Zhenhua RD., Futian, Shenzhen, China





Recommended PCB Layout

NOTES:

1. Insulation: PBT UL94V-0, Color Black
2. Contact : Brass
3. Plating : Selective 30µ" Gold over 50µ" Nickel
4. Shell : Brass
5. Shell Plating: 80µ" Nickel over 50µ" Cu
6. Durability: 1500 cycles @

RoHS compliant

Scale	1:1						Date	Name	Customer-No.
TOLERANCE							Drawn	07.07.2009	Dean
.X	±0.30						Approved	24.11.2011	Hellwig
.XX	±0.20								
DIM	TOL								Drawing-No.
X.°	±1°	②	Add durability	24.11.2011	Lucas				ASSMANN WSW-No.
Angle	TOL	①	Drawn	07.07.2009	Dean				A-IEE-DIP-C
UNIT	mm	Id.	Modification	Date	Name				ASS 3559 CO
									rev02
									SHEET



ASS 3559 CO

rev02

Replace

SHEET