



Chipsmall Limited consists of a professional team with an average of over 10 year of expertise in the distribution of electronic components. Based in Hongkong, we have already established firm and mutual-benefit business relationships with customers from,Europe,America and south Asia,supplying obsolete and hard-to-find components to meet their specific needs.

With the principle of “Quality Parts,Customers Priority,Honest Operation,and Considerate Service”,our business mainly focus on the distribution of electronic components. Line cards we deal with include Microchip,ALPS,ROHM,Xilinx,Pulse,ON,Everlight and Freescale. Main products comprise IC,Modules,Potentiometer,IC Socket,Relay,Connector.Our parts cover such applications as commercial,industrial, and automotives areas.

We are looking forward to setting up business relationship with you and hope to provide you with the best service and solution. Let us make a better world for our industry!



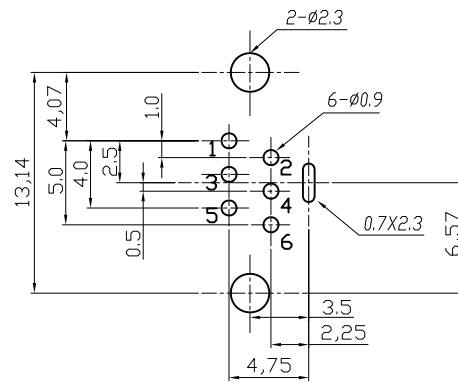
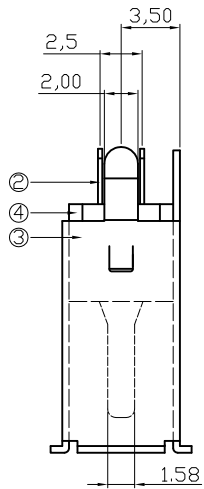
Contact us

Tel: +86-755-8981 8866 Fax: +86-755-8427 6832

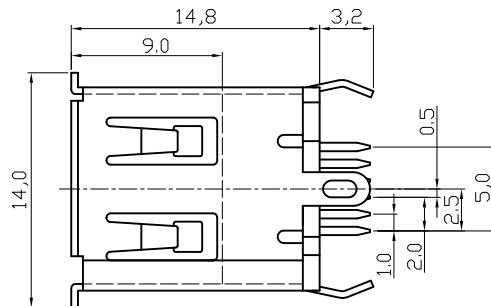
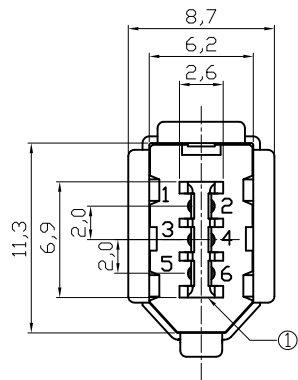
Email & Skype: info@chipsmall.com Web: www.chipsmall.com

Address: A1208, Overseas Decoration Building, #122 Zhenhua RD., Futian, Shenzhen, China






COMPONENT SIDE
(PCB LAYOUT)



Specification:
 Contact Resistance: 30m Ohm Max.
 Insulation Resistance: 100M Ohm Min.
 Voltage - Max;40V Maximum
 Current - Max:1.5A Maximum.
 Dielectric Withstanding Voltage: 500V AC for 1 Minute
 Durability (Life Test): 1500 Cycles
 Unmating Force:9.8 Newtone TO 39.2 Newtone Maximum.

NO.	NAME	MATERIAL	FINISH	REMARK	Q'TY
1	HOUSING	PBT G.F.	WHITE		1
2	PIN TERMINAL	BRASS; t:0.25	GOLD/TIN PLATED	Gold:30u" Ni:40~60u" TIN:120u" (100% pure Tin of lead free plating)	6
3	SHELL	BRASS; t:0.4	NICKEL PLATED	NI:80~120u"	1
4	BOTTOM COVER	PBT G.F.	WHITE		1

RoHS compliant

Scale	1:1				Date	Name	Customer-No.
TOLERANCE					Drawn	04.09.2003	A.Menk
X.	±0.38				Approved	28.08.2009	Hellwig
X.X	±0.25						
X.XX	±0.13						
X°	±3°	② Update	28.08.2009	Dean			
.X°	±1.0°	① Drawn	04.09.2003	A.Menk			
		Id.	Modification	Date	Name	Replace	Sheet

ASSMANN WSW-No. **A-IEE-TOP**

Drawing-No. **ASS 1497 CO** rev02

RoHS compliant