



Chipsmall Limited consists of a professional team with an average of over 10 year of expertise in the distribution of electronic components. Based in Hongkong, we have already established firm and mutual-benefit business relationships with customers from,Europe,America and south Asia,supplying obsolete and hard-to-find components to meet their specific needs.

With the principle of “Quality Parts,Customers Priority,Honest Operation,and Considerate Service”,our business mainly focus on the distribution of electronic components. Line cards we deal with include Microchip,ALPS,ROHM,Xilinx,Pulse,ON,Everlight and Freescale. Main products comprise IC,Modules,Potentiometer,IC Socket,Relay,Connector.Our parts cover such applications as commercial,industrial, and automotives areas.

We are looking forward to setting up business relationship with you and hope to provide you with the best service and solution. Let us make a better world for our industry!



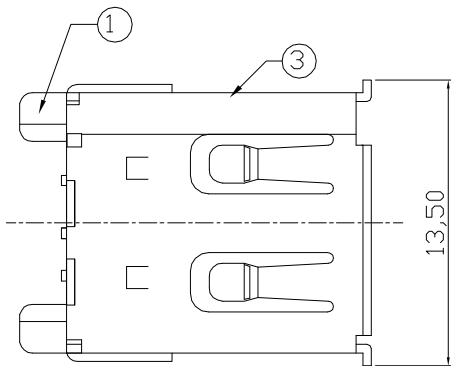
Contact us

Tel: +86-755-8981 8866 Fax: +86-755-8427 6832

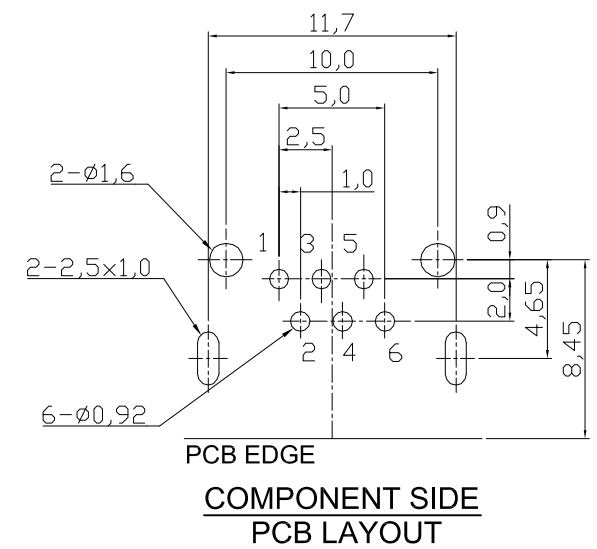
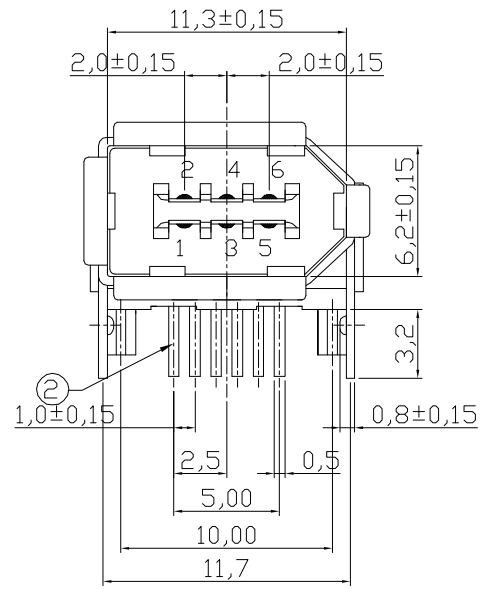
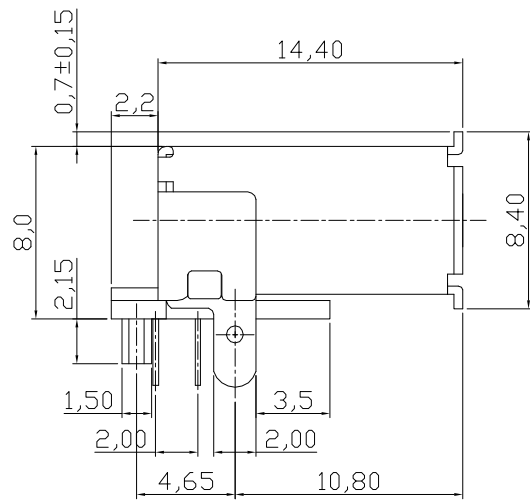
Email & Skype: info@chipsmall.com Web: www.chipsmall.com

Address: A1208, Overseas Decoration Building, #122 Zhenhua RD., Futian, Shenzhen, China





NO.	Name	Material	Finish	Q'TY
1	Housing	PBT	Black	1
2	Pin Terminal	Brass t=0.25	Gold:30u" Ni:80~120u" Sn:120~200u"	6
3	Shell	Brass t=0.4	Ni 80~120u"	1



RoHS compliant
Unit: mm

Scale	Free
TOLERANCE	
X.	±0.38
.X	±0.25
.XX	±0.13
DIM	TOL
X.°	±3°
.X°	±1°
Angle	TOL

Id.	Modification	Date	Name
②	Update the new drawing	29.07.2013	Amy
①	Drawn	07.07.2009	Dean

Date	Name
07.07.2009	Dean
29.07.2013	Amy

ASSMANN
WSW components

Customer-No.	
ASSMANN WSW-No.	A-IES-DIP-C
Drawing-No.	ASS 3560 CO
Replace	rev02
	SHEET

1

2

3

4

5

6

7