



Chipsmall Limited consists of a professional team with an average of over 10 year of expertise in the distribution of electronic components. Based in Hongkong, we have already established firm and mutual-benefit business relationships with customers from,Europe,America and south Asia,supplying obsolete and hard-to-find components to meet their specific needs.

With the principle of “Quality Parts,Customers Priority,Honest Operation,and Considerate Service”,our business mainly focus on the distribution of electronic components. Line cards we deal with include Microchip,ALPS,ROHM,Xilinx,Pulse,ON,Everlight and Freescale. Main products comprise IC,Modules,Potentiometer,IC Socket,Relay,Connector.Our parts cover such applications as commercial,industrial, and automotives areas.

We are looking forward to setting up business relationship with you and hope to provide you with the best service and solution. Let us make a better world for our industry!



Contact us

Tel: +86-755-8981 8866 Fax: +86-755-8427 6832

Email & Skype: info@chipsmall.com Web: www.chipsmall.com

Address: A1208, Overseas Decoration Building, #122 Zhenhua RD., Futian, Shenzhen, China



1

2

3

4

5

6

7

A

A

B

B

C

C

D

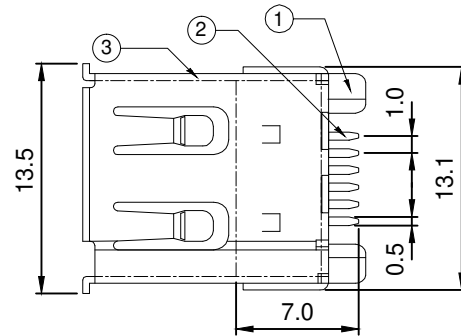
D

E

E

F

F

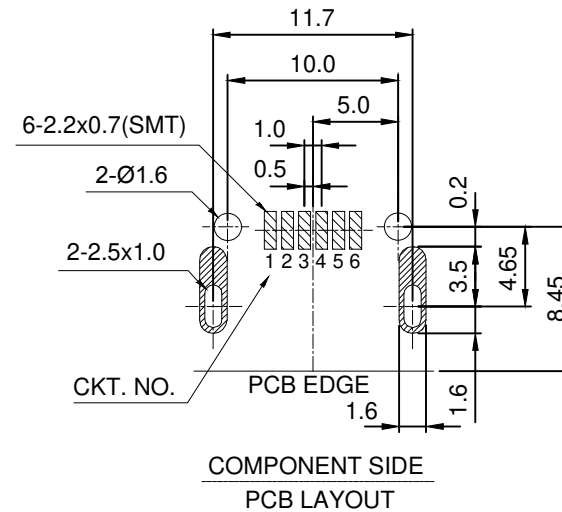
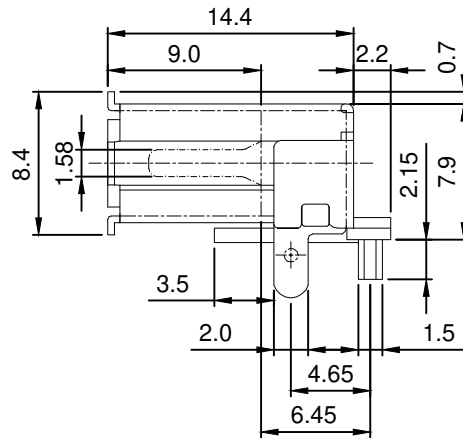
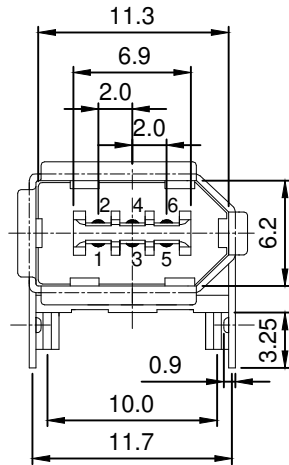


Material:

- Item ① Housing: Nylon PA9T G.F. Black
- Item ② Pin Terminal: Brass t=0.2mm Contact
Contact Area: Gold 30~50u" over Ni 1.5~2.5u"
Solder Area: Tin plated
- Item ③ Shell: Brass t=0.4mm Nickel Plated

Electrical:

- Current rating: 1A max.
- Withstanding Voltage: 500V/1minute
- Contact Resistance: 30m ohms max.
- Insulation Resistance: 1000M ohms min. at DC 500V



RoHS compliant

Scale	Free					Date	Name	Customer-No.
TOLERANCE						Drawn	20.06.2018	Xavier
X.	±0.50					Approved	20.06.2018	Winnie
X.X	±0.30							
X.XX	±0.10							
Angle	±1°							
		①	Drawn	20.06.2018	Xavier			
		Id.	Modification	Date	Name			

Customer-No.		
ASSMANN WSW-No.		A-IES-SMT
Drawing-No.		ASS 8004 CO
Replace	rev00	Sheet 1/1

1

2

3

4

5

6

7

H

H