



Chipsmall Limited consists of a professional team with an average of over 10 year of expertise in the distribution of electronic components. Based in Hongkong, we have already established firm and mutual-benefit business relationships with customers from,Europe,America and south Asia,supplying obsolete and hard-to-find components to meet their specific needs.

With the principle of "Quality Parts,Customers Priority,Honest Operation,and Considerate Service",our business mainly focus on the distribution of electronic components. Line cards we deal with include Microchip,ALPS,ROHM,Xilinx,Pulse,ON,Everlight and Freescale. Main products comprise IC,Modules,Potentiometer,IC Socket,Relay,Connector.Our parts cover such applications as commercial,industrial, and automotives areas.

We are looking forward to setting up business relationship with you and hope to provide you with the best service and solution. Let us make a better world for our industry!



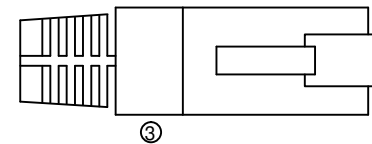
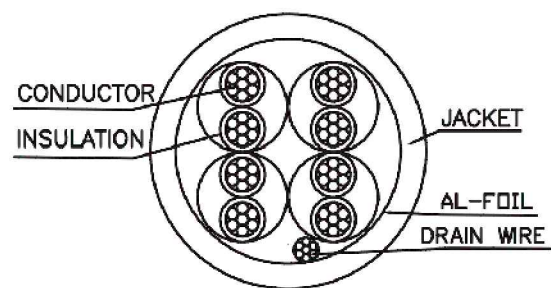
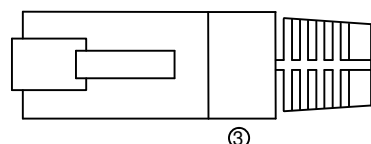
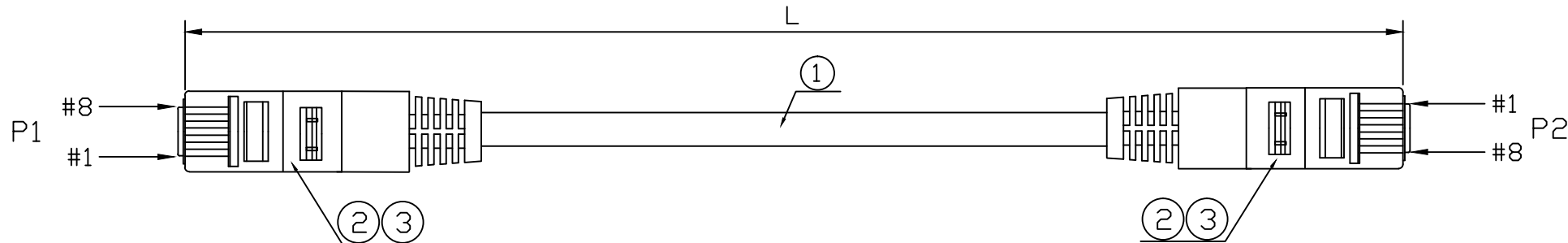
Contact us

Tel: +86-755-8981 8866 Fax: +86-755-8427 6832

Email & Skype: info@chipsmall.com Web: www.chipsmall.com

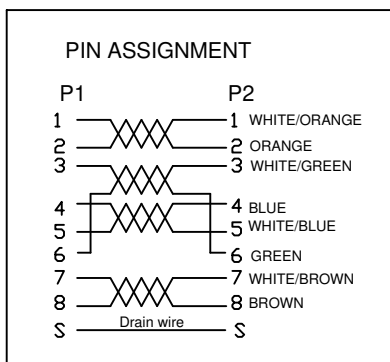
Address: A1208, Overseas Decoration Building, #122 Zhenhua RD., Futian, Shenzhen, China





② TOLERANCE

Length(meter)	Max-M	Mix-M
0.3	0.03	0.025
0.5	0.03	0.025
1	0.04	0.035
2	0.06	0.06
3	0.09	0.09
5	0.15	0.15
7	0.21	0.21
10	0.3	0.3
15	0.45	0.45
20	0.6	0.6
30	0.9	0.9



Order Code:

① A-MCSP-80XXX : color Grey

② Order lengths in meter: 0.3,0.5,1,2,3,5,7,10,15

A-MCSP-80XXX/X

② Order lengths in meter: 0.3,0.5,1,2,3,5,7,10,15
Order color:(R)Red,(Y)Yellow (G)Green,(B)Blue

Electrical
100% short,open,miswire test

3	mold	PVC,50P	9.0	G
2	plug	8P8C plating gold 3U" with metal shield	2	PCS
1	cable	FTP (26AWG*1P)*4+D+A+PVC, OD:5.2±0.2mm	2.0	M
NO	PART NO	DESCRIPTION	QTY	UNIT

RoHS compliant
Unit:: mm

Scale	FREE					Date	Name	Customer-No.
TOLERANCE						Drawn	26.06.2015	Joanna
X.	±X					Approved	29.06.2016	Joanna
X.X	±X	③	remove mark on the mould	29.06.2016	Joanna			ASSMANN WSW-No. A-MCSP-80XXX/X
X.XX	±X	②	Add length for 300mm	18.05.2015	Joanna			Drawing-No.
DIM	TOL	①	Add P/N and change tolerance	15.12.2015	Joanna	ASSMANN WSW components		ASS 7425 CA
ANGLE	±X°	④	Drawn	26.06.2015	Joanna			rev03
Angle	TOL	Id.	Modification	Date	Name	Replace		Sheet