



Chipsmall Limited consists of a professional team with an average of over 10 year of expertise in the distribution of electronic components. Based in Hongkong, we have already established firm and mutual-benefit business relationships with customers from,Europe,America and south Asia,supplying obsolete and hard-to-find components to meet their specific needs.

With the principle of “Quality Parts,Customers Priority,Honest Operation,and Considerate Service”,our business mainly focus on the distribution of electronic components. Line cards we deal with include Microchip,ALPS,ROHM,Xilinx,Pulse,ON,Everlight and Freescale. Main products comprise IC,Modules,Potentiometer,IC Socket,Relay,Connector.Our parts cover such applications as commercial,industrial, and automotives areas.

We are looking forward to setting up business relationship with you and hope to provide you with the best service and solution. Let us make a better world for our industry!



Contact us

Tel: +86-755-8981 8866 Fax: +86-755-8427 6832

Email & Skype: info@chipsmall.com Web: www.chipsmall.com

Address: A1208, Overseas Decoration Building, #122 Zhenhua RD., Futian, Shenzhen, China



1

2

3

4

5

6

7

A

②

A

B

B

C

C

D

D

E

E

F

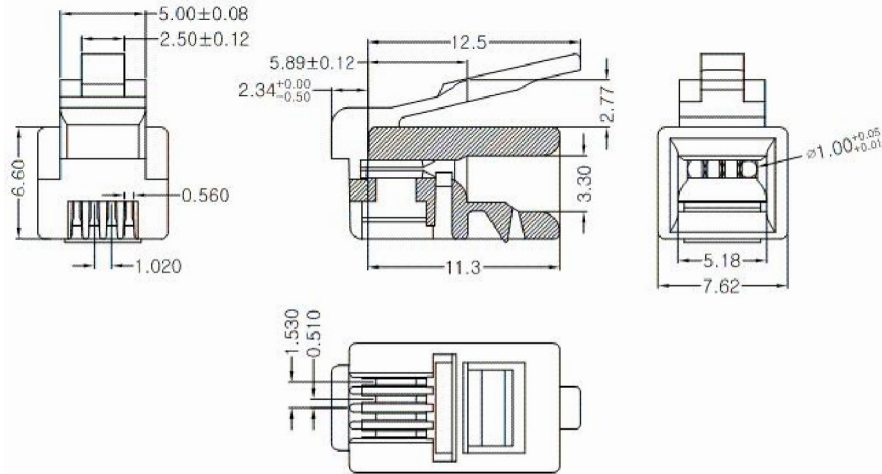
F

G

G

H

H



SPECIFICATIONS

HOUSING	POLY CARBONATE(PC) UL94V2 NO. E919153
CONTACT BLADE	HIGH STRENGTH COPPER ALLOY
MATERIAL	100 MICRON NICKEL UNDERPLATED
PLATING TYPE	8% PHOSPHOR BRONZE
PLATING THICKNESS:	(50U")GOLD PLATED
OPERATING TEMP	-40°C TO 125°C
CURRENT RATING	250V AC MAX AT 2A
DIELECTRIC	500V AC
INSULATION RES	500MEGAOHMS
TERMINATION RES	35 MAX AFTER ENVIRONMENTAL TESTS
TENSILE STRENGTH	20 LBS(89N)MIN
DURABILITY	500 MATING CYCLES

COMPLIES WITH FCC68/F

Scale	FREE					Date	Name	Customer-No.
TOLERANCE						Drawn	26.05.2014	Ray
X.X	±0.2					Approved	12.06.2016	Ray
X.XX	±0.10							
X.XXX	±0.050							
DIM	TOL	②	Update drawing	12.06.2016	Ray	ASSMANN WSW-No. A-MO 4/4-F50		
		①	Drawn	26.05.2014	Ray	Drawing-No. ASS 6446 CO		rev01
Angle	±2°					Replace		Sheet
Angle	TOL	Id.	Modification	Date	Name			

RoHS compliant
Unit: mm

ASSMANN
WSW components

1

2

3

4

5

6

7