



Chipsmall Limited consists of a professional team with an average of over 10 year of expertise in the distribution of electronic components. Based in Hongkong, we have already established firm and mutual-benefit business relationships with customers from,Europe,America and south Asia,supplying obsolete and hard-to-find components to meet their specific needs.

With the principle of “Quality Parts,Customers Priority,Honest Operation,and Considerate Service”,our business mainly focus on the distribution of electronic components. Line cards we deal with include Microchip,ALPS,ROHM,Xilinx,Pulse,ON,Everlight and Freescale. Main products comprise IC,Modules,Potentiometer,IC Socket,Relay,Connector.Our parts cover such applications as commercial,industrial, and automotives areas.

We are looking forward to setting up business relationship with you and hope to provide you with the best service and solution. Let us make a better world for our industry!



Contact us

Tel: +86-755-8981 8866 Fax: +86-755-8427 6832

Email & Skype: info@chipsmall.com Web: www.chipsmall.com

Address: A1208, Overseas Decoration Building, #122 Zhenhua RD., Futian, Shenzhen, China



1

2

3

4

5

6

7

A

B

C

D

E

F

A

B

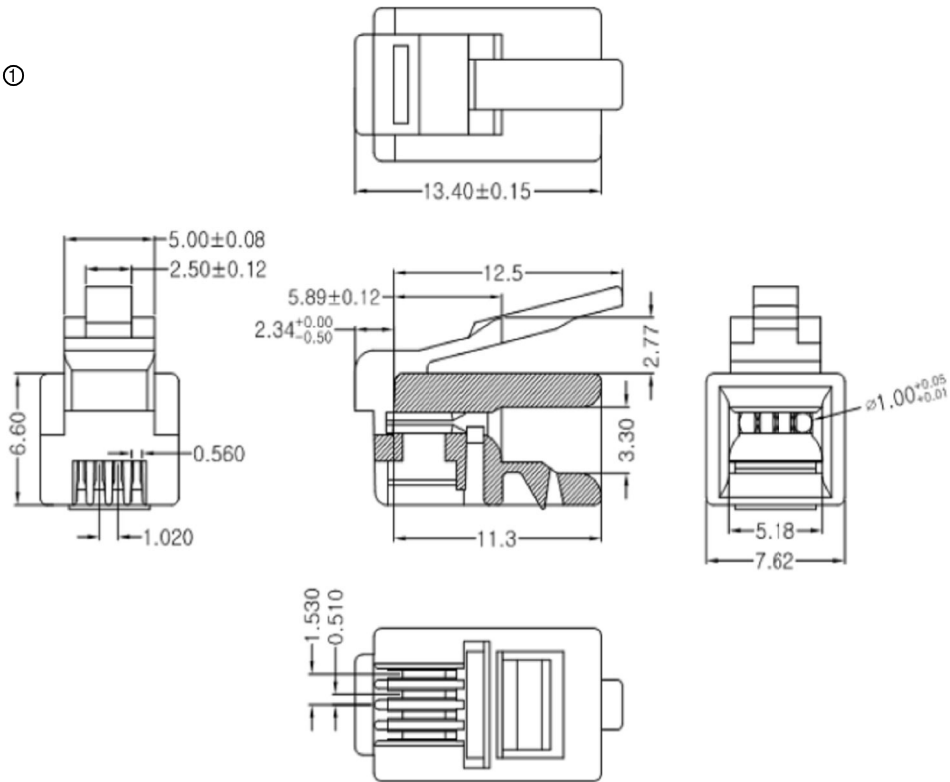
C

D

E

F

①



Specifications:

Material:


Housing: Poly Carbonate(PC) UL94V-2
 Contact blade: High strength copper alloy
 100 micron Nickel underplated
 Plating type: 8% Phosphor Bronze
 Plating thickness: 6u" gold plated
 Operating temperature: -40°C to +125°C

Electrical:

Current rating: 250V AC max. at 2A
 Dielectric: 500V AC
 Insulation resistance: 500MΩ
 Termination resistance: 35MΩ max after environmental tests
 Tensile strength: 20 LBS (89N) min.
 Durability: 500 mating cycles

Complies with FCC68/F

RoHS compliant
Unit: mm

Scale	Free					Date	Name	Customer-No.
TOLERANCE						Drawn	26.05.2014	Ray
X.X	±0.20					Approved	03.05.2016	Amy
X.XX	±0.10							
X.XXX	±0.05							
DIM	TOL	①	Update the dimensions	03.05.2016	Amy			
Angle	±2°	②	Drawn	26.05.2014	Ray			
Angle	TOL	Id.	Modification	Date	Name	Replace	ASSMANN WSW-No. A-MO 4/4-SF	Drawing-No. ASS 6448 CO rev01
								Sheet

1

2

3

4

5

6

7

H

H