



Chipsmall Limited consists of a professional team with an average of over 10 year of expertise in the distribution of electronic components. Based in Hongkong, we have already established firm and mutual-benefit business relationships with customers from,Europe,America and south Asia,supplying obsolete and hard-to-find components to meet their specific needs.

With the principle of “Quality Parts,Customers Priority,Honest Operation,and Considerate Service”,our business mainly focus on the distribution of electronic components. Line cards we deal with include Microchip,ALPS,ROHM,Xilinx,Pulse,ON,Everlight and Freescale. Main products comprise IC,Modules,Potentiometer,IC Socket,Relay,Connector.Our parts cover such applications as commercial,industrial, and automotives areas.

We are looking forward to setting up business relationship with you and hope to provide you with the best service and solution. Let us make a better world for our industry!



## Contact us

Tel: +86-755-8981 8866 Fax: +86-755-8427 6832

Email & Skype: info@chipsmall.com Web: www.chipsmall.com

Address: A1208, Overseas Decoration Building, #122 Zhenhua RD., Futian, Shenzhen, China



1

2

3

4

5

6

7

A

A

B

B

C

C

D

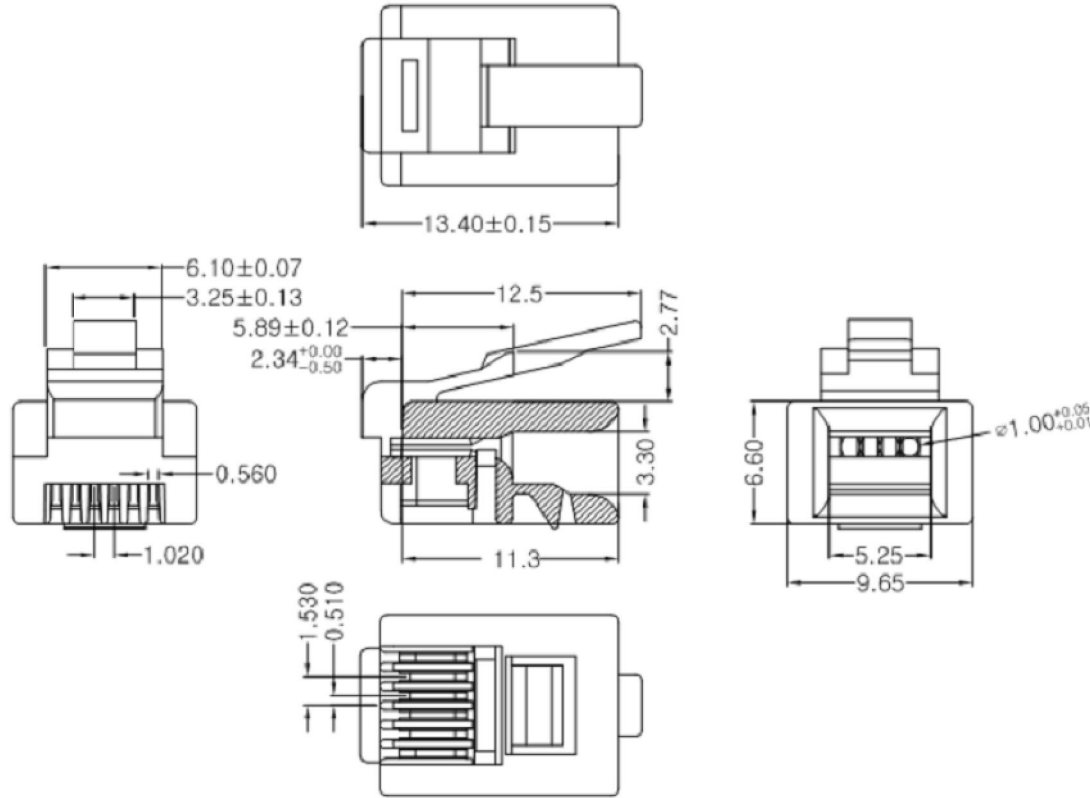
D

E

E

F

F



Specifications:

Material:

Housing: Poly Carbonate(PC) UL94V-2 E919153  
 Contact blade: High strength copper alloy  
 100 micron Nickel underplated  
 Plating type: 8% Phosphor Bronze  
 Plating thickness: 50u" gold plated  
 Operating temperature: -40°C to +125°C

Electrical:

Current rating: 250V AC max. at 2A  
 Dielectric: 500V AC  
 Insulation resistance: 500MΩ  
 Termination resistance: 35mΩ Max after environmental tests

Mechanical:

Tensile Strength: 20LBS(89N) Min.  
 Durability: 500 Mating Cycle

Complies with FCC68/F

**RoHS compliant**  
Unit: mm

Scale	Free						Date	Name	Customer-No.
TOLERANCE						Drawn	13.06.2016	Winnie	
X.X	±0.20					Approved	13.06.2016	Winnie	ASSMANN WSW-No.
X.XX	±0.10								A-MO 6/4-F50
X.XXX	±0.05								Drawing-No.
DIM	TOL					<b>ASSMANN</b> WSW components		ASS 7275 CO	rev00
Angle	±2°	①	Drawn	13.06.2016	Winnie			Replace	Sheet
Angle	TOL	Id.	Modification	Date	Name				

1

2

3

4

5

6

7

H

H