



Chipsmall Limited consists of a professional team with an average of over 10 year of expertise in the distribution of electronic components. Based in Hongkong, we have already established firm and mutual-benefit business relationships with customers from,Europe,America and south Asia,supplying obsolete and hard-to-find components to meet their specific needs.

With the principle of “Quality Parts,Customers Priority,Honest Operation,and Considerate Service”,our business mainly focus on the distribution of electronic components. Line cards we deal with include Microchip,ALPS,ROHM,Xilinx,Pulse,ON,Everlight and Freescale. Main products comprise IC,Modules,Potentiometer,IC Socket,Relay,Connector.Our parts cover such applications as commercial,industrial, and automotives areas.

We are looking forward to setting up business relationship with you and hope to provide you with the best service and solution. Let us make a better world for our industry!



Contact us

Tel: +86-755-8981 8866 Fax: +86-755-8427 6832

Email & Skype: info@chipsmall.com Web: www.chipsmall.com

Address: A1208, Overseas Decoration Building, #122 Zhenhua RD., Futian, Shenzhen, China



1

2

3

4

5

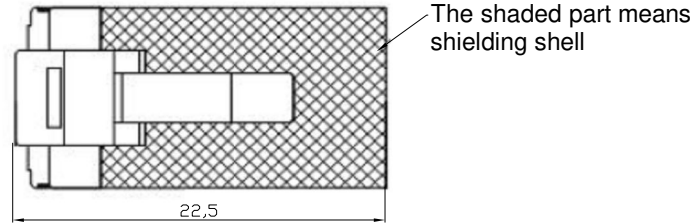
6

7

A

A

①



Specifications:

Material:

Housing: Poly Carbonate(PC) UL94V-2

Contact blade: High strength copper alloy

100 micron Nickel underplated

Plating type: 8% Phosphor Bronze

Plating thickness: 6u" gold plated

Operating temperature: -40°C to +125°C

Electrical:

Current rating: 250V AC max. at 2A

Dielectric: 500V AC

Insulation resistance: 500MΩ

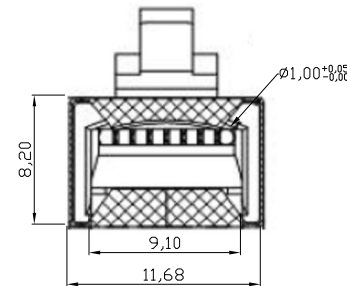
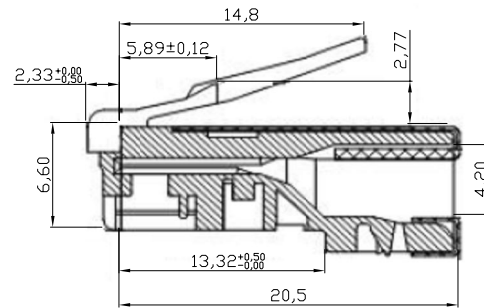
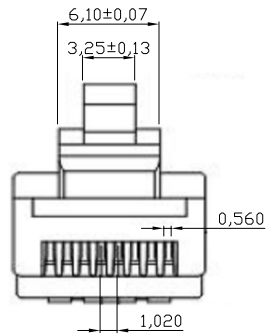
Complies with FCC68/F

B

B

C

C

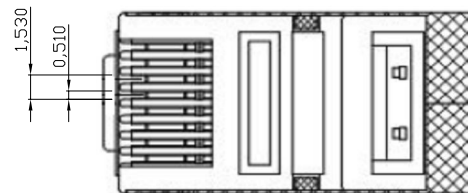


D

D

E

E



F

F

RoHS compliant
Unit: mm

Scale	Free				Date	Name	Customer-No.	
TOLERANCE					Drawn	29.04.2016	Amy	
X.X	±0.20				Approved	12.06.2016	Amy	
X.XX	±0.10							
X.XXX	±0.05							
DIM	TOL	①	Update the drawing	12.06.2016	Amy	ASSMANN WSW components		
		②	Drawn	29.04.2016	Amy			
Angle	±2°						ASSMANN WSW-No. A-MO 8/8-SRS	
Angle	TOL	Id.	Modification	Date	Name		Drawing-No. ASS 7232 CO	rev01
							Replace	Sheet

G

G

H

H

1

2

3

4

5

6

7