



Chipsmall Limited consists of a professional team with an average of over 10 year of expertise in the distribution of electronic components. Based in Hongkong, we have already established firm and mutual-benefit business relationships with customers from,Europe,America and south Asia,supplying obsolete and hard-to-find components to meet their specific needs.

With the principle of “Quality Parts,Customers Priority,Honest Operation,and Considerate Service”,our business mainly focus on the distribution of electronic components. Line cards we deal with include Microchip,ALPS,ROHM,Xilinx,Pulse,ON,Everlight and Freescale. Main products comprise IC,Modules,Potentiometer,IC Socket,Relay,Connector.Our parts cover such applications as commercial,industrial, and automotives areas.

We are looking forward to setting up business relationship with you and hope to provide you with the best service and solution. Let us make a better world for our industry!



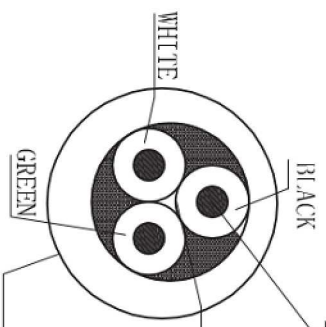
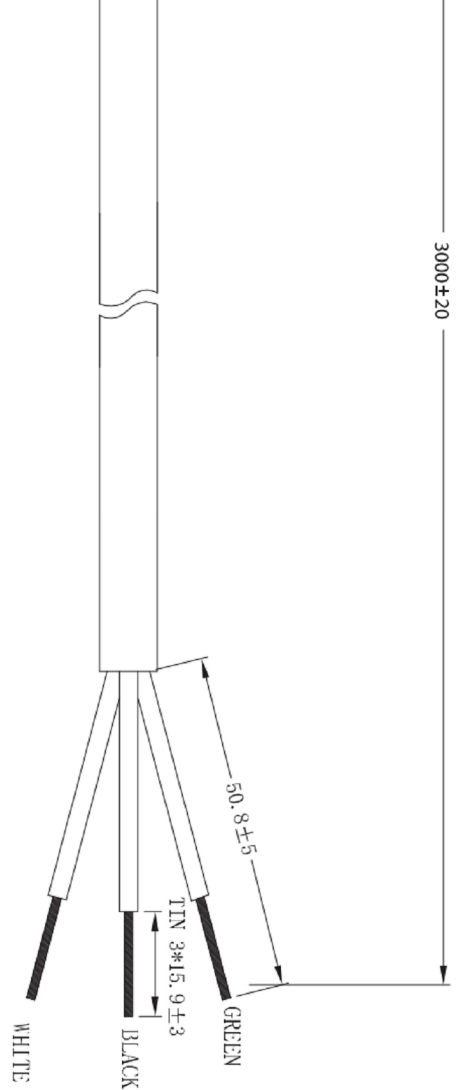
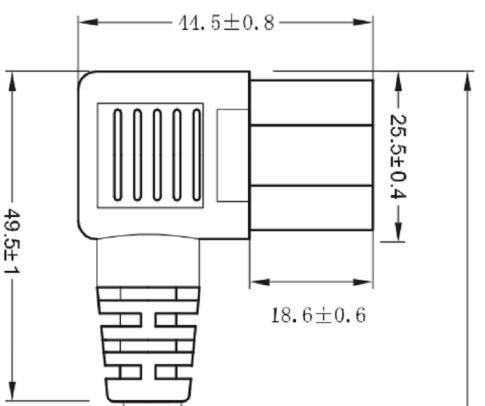
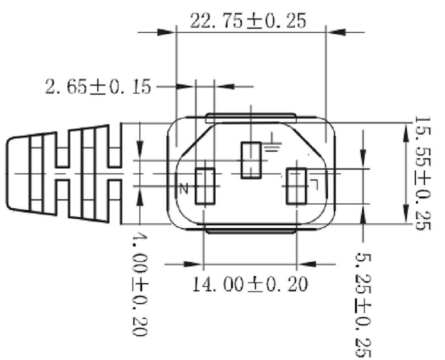
Contact us

Tel: +86-755-8981 8866 Fax: +86-755-8427 6832

Email & Skype: info@chipsmall.com Web: www.chipsmall.com

Address: A1208, Overseas Decoration Building, #122 Zhenhua RD., Futian, Shenzhen, China





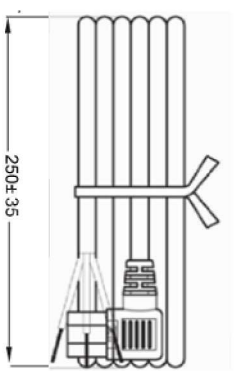
CONDUCTOR CONSTRUCTION(N/mm²):
26/0.254 AS

PVC INSULATION AVERAGE
THICKNESS: 0.76mm
ID: 3.10 ± 0.1mm

PVC JACKET AVERAGE
THICKNESS: 0.76mm
OD: 9.10 ± 0.15mm

Notes:

- SJT 3x16AWG(1.31mm²) VW-1 60°C 300V
- SJT 3x16AWG(1.31mm²) FT2 60°C 300V -LF-
- Jacket color: Black
- E-Green; L-Black; N-White
- Electrical:**
- 100% open and short testing
- Insulation Resistance: 100MΩ Min.
- Voltage: 500V DC/1min



RoHS compliant
Unit: mm

Scale	Free	Customer-No.	
TOLERANCE		Drawn	19.05.2017
		Approved	19.05.2017
DIM	TOL		
Angle	TOL		
		① Drawn	19.05.2017
		Modification	
		Date	19.05.2017
		Name	Amy

ASSMANN
WSW components

Customer-No.	ASSMANN WSW-No.	Drawing-No.	ASS 7998 CA	rev00
			A-PC1504-030027-1	
		Replace		Sheet

1	2	3	4	5	6	7
H	G	F	E	D	C	B
1	2	3	4	5	6	7
H	G	F	E	D	C	B