



Chipsmall Limited consists of a professional team with an average of over 10 year of expertise in the distribution of electronic components. Based in Hongkong, we have already established firm and mutual-benefit business relationships with customers from,Europe,America and south Asia,supplying obsolete and hard-to-find components to meet their specific needs.

With the principle of “Quality Parts,Customers Priority,Honest Operation,and Considerate Service”,our business mainly focus on the distribution of electronic components. Line cards we deal with include Microchip,ALPS,ROHM,Xilinx,Pulse,ON,Everlight and Freescale. Main products comprise IC,Modules,Potentiometer,IC Socket,Relay,Connector.Our parts cover such applications as commercial,industrial, and automotives areas.

We are looking forward to setting up business relationship with you and hope to provide you with the best service and solution. Let us make a better world for our industry!



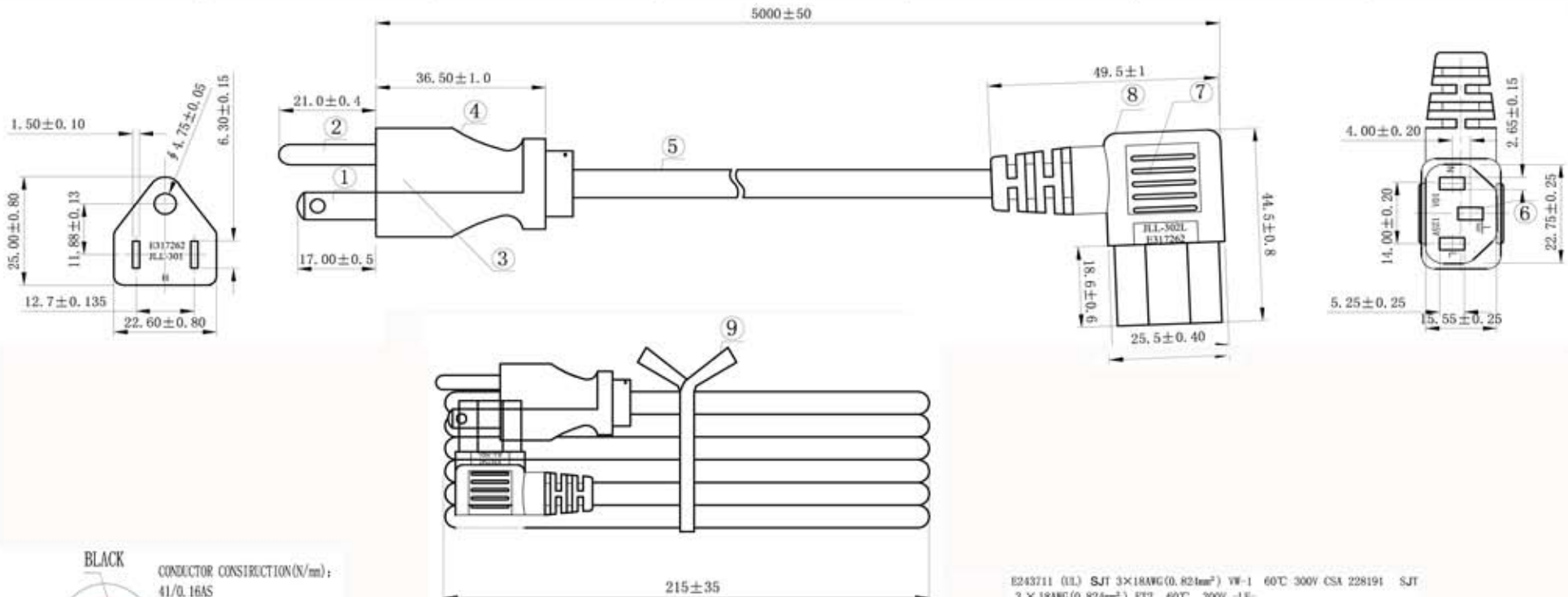
Contact us

Tel: +86-755-8981 8866 Fax: +86-755-8427 6832

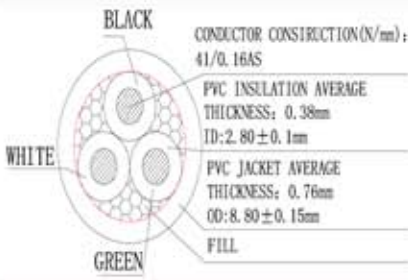
Email & Skype: info@chipsmall.com Web: www.chipsmall.com

Address: A1208, Overseas Decoration Building, #122 Zhenhua RD., Futian, Shenzhen, China





E243711 (1L) SJT 3×18AWG(0.82mm²) YW-1 60°C 300V CSA 228191 SJT
3 × 18AWG(0.82mm²) FT2 60°C 300V -LF-



- NOTES:
- 1) JACKET COLOR: BLACK
 - 2). E-GREEN; L-BLACK ; N-WHITE

- TESTING:
- 1) 100% OPEN & SHORT TESTING
 - 2) INSULATION RESISTANCE: 100M ohm(min)
 - 3) VOLTAGE: DC500V/1min
 - 4) ROHS COMPLIANT

NO.	SPECIFICATION	COLOUR	MATERIAL	AMOUNT
①	Load terminals 98661	Silver	Cu	2P
②	Grounding terminal 97475	Silver	Cu	1P
③	Model aircraft 8661AN-3P	WHITE	PBT	1PCS
④	Plug JLL-301	BLACK	PVC Cu	1PCS
⑤	Wire SJT 18AWG/3C 60°C	BLACK	PVC Cu	1PCS
⑥	Play home terminal 98740	Silver	Cu	3P
⑦	Model aircraft 8745AND	WHITE	PBT	1PCS
⑧	Mother Play JLL-302L	BLACK	PVC Cu	1PCS
⑨	Ties	BLACK		1PCS

Scale	1:1						Name	Item No.
TOLERANCE							Miller	A-PC2304-050028-1
X.X	±0.40				Drawn	3/26/12		
X.XX	±0.25				Approved	3/26/12	Warner	Title 5-15P to 320C13 R/A, 5M, SJT#18*3C 60C
X.XXX	±0.15							Drawing No.
Angle	±3°							rev00
								Replace
								Sheet
			Modification	Date	Name			

