



Chipsmall Limited consists of a professional team with an average of over 10 year of expertise in the distribution of electronic components. Based in Hongkong, we have already established firm and mutual-benefit business relationships with customers from,Europe,America and south Asia,supplying obsolete and hard-to-find components to meet their specific needs.

With the principle of “Quality Parts,Customers Priority,Honest Operation,and Considerate Service”,our business mainly focus on the distribution of electronic components. Line cards we deal with include Microchip,ALPS,ROHM,Xilinx,Pulse,ON,Everlight and Freescale. Main products comprise IC,Modules,Potentiometer,IC Socket,Relay,Connector.Our parts cover such applications as commercial,industrial, and automotives areas.

We are looking forward to setting up business relationship with you and hope to provide you with the best service and solution. Let us make a better world for our industry!



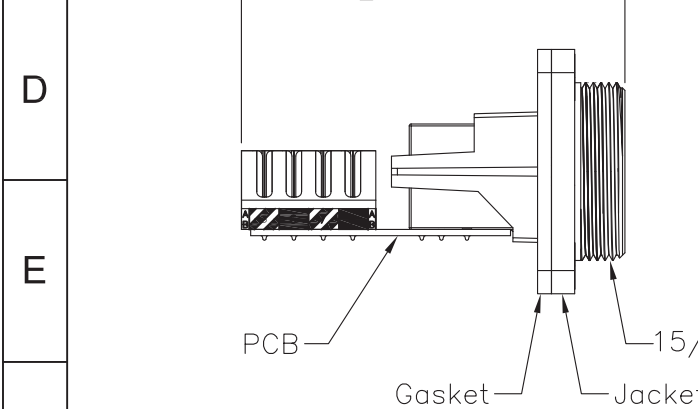
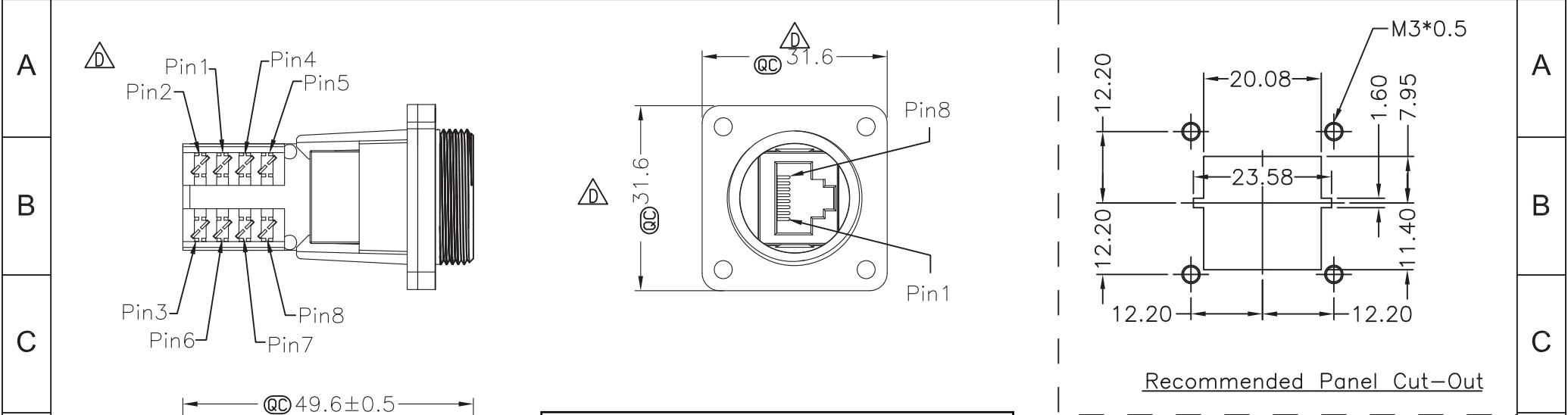
## Contact us

Tel: +86-755-8981 8866 Fax: +86-755-8427 6832

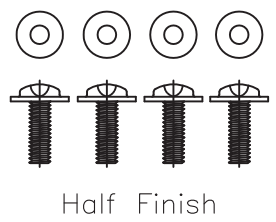
Email & Skype: info@chipsmall.com Web: www.chipsmall.com

Address: A1208, Overseas Decoration Building, #122 Zhenhua RD., Futian, Shenzhen, China





⚠ -Screw torsion range: 1.5 ~ 2 Kgf.cm  
 -The mating force between Plug and Jack should not be over 10 Kgf  
 \* Recommended cap: A-WP-COVER1



- Note:**
- Connector: Shielded RJ45
  - Category: Cat. 5e
  - Connector type: Panel front mount
  - Waterproof rate: IP67
  - Contact carrier: PBT
  - Jacket: Black, ABS 94V-0
  - Gasket: Black, EPDM
  - Screw: Stainless
  - Contact pin: Copper alloy
  - Contact surface: Gold plated
  - Temperature range: -20°C to 60°C

G	Scale	Free				Date	Name	Title		
	TOLERANCE					Drawn	25.09.13	Wilson	Waterproof Modular Panel Mount Jack Keystone to Punch type, Shielded	
H	X.X	±0.25				Approved	25.09.13	Groll	ASSMANN WSW-No.	
	X.X	±0.10							A-RJ45KS	
H	X.XX	±0.05							Drawing-No.	
	DIM	TOL							rev01	
H	X.°	±1°							Replace	
	X.X°	±X°	①	Updated all information	25.09.13	Wilson			Sheet	
Angle	TOL	Id.	Modification	Date	Name	1840 W. Drake Drive, Suite 101 • Tempe, AZ 85283 Toll Free: 1-877-277-6266 • Email: info@assmann.us			1/1	

Unit: mm

