



Chipsmall Limited consists of a professional team with an average of over 10 year of expertise in the distribution of electronic components. Based in Hongkong, we have already established firm and mutual-benefit business relationships with customers from,Europe,America and south Asia,supplying obsolete and hard-to-find components to meet their specific needs.

With the principle of “Quality Parts,Customers Priority,Honest Operation,and Considerate Service”,our business mainly focus on the distribution of electronic components. Line cards we deal with include Microchip,ALPS,ROHM,Xilinx,Pulse,ON,Everlight and Freescale. Main products comprise IC,Modules,Potentiometer,IC Socket,Relay,Connector.Our parts cover such applications as commercial,industrial, and automotives areas.

We are looking forward to setting up business relationship with you and hope to provide you with the best service and solution. Let us make a better world for our industry!



Contact us

Tel: +86-755-8981 8866 Fax: +86-755-8427 6832

Email & Skype: info@chipsmall.com Web: www.chipsmall.com

Address: A1208, Overseas Decoration Building, #122 Zhenhua RD., Futian, Shenzhen, China



1

2

3

4

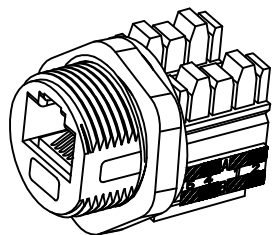
5

6

7

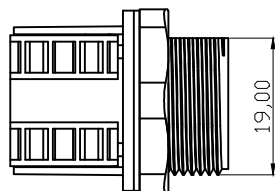
A

A



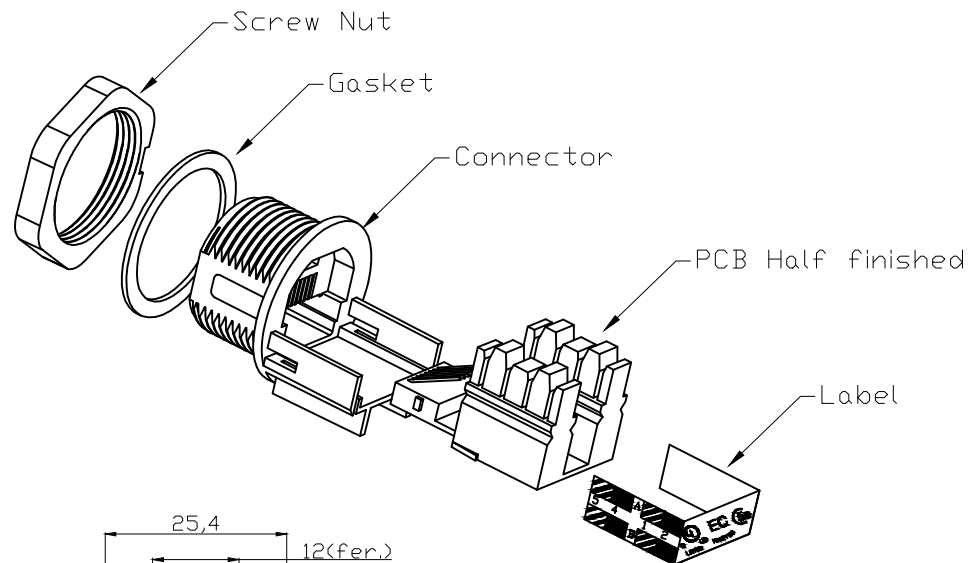
B

B



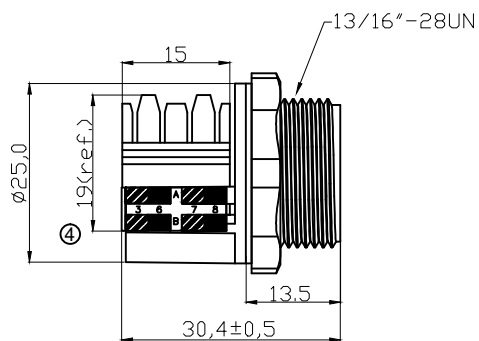
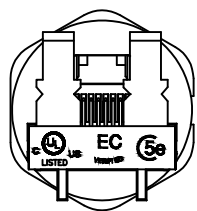
C

C



D

D



E

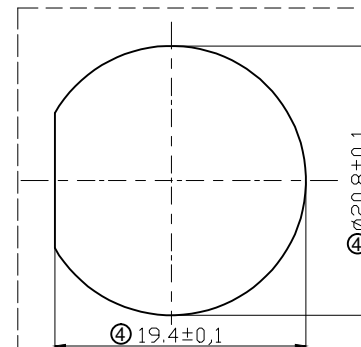
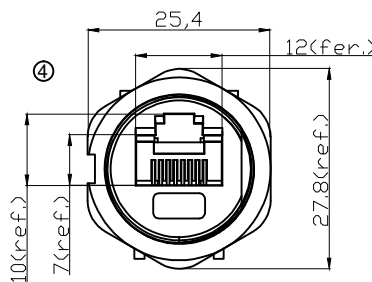
E

NOTES:

Waterproof Rate: IP67
 Connector: ABS, Black
 Screw Nut: Nylon+GF, Black
 Gasket: EPDM 70
 Use panel thickness max: 2.5mm
 24AWG wires for cable
 Packing: Tray

F

F



Recommended Panel Cut-Out

G

G

RoHS compliant

Unit: mm

Scale	Free					Date	Name	Customer-No.
TOLERANCE						Drawn	08.11.2007	Hellwig
±0.25mm						Approved	23.06.2014	Joanna
		④	Add spec	23.06.2014	Joanna			ASSMANN WSW-No.
		③	Update	25.02.2014	Amy			A-RJ45 KU
		②	Update	28.06.2010	Dean			
		①	Drawn	08.11.2007	Hellwig			Drawing-No.
		Id.	Modification	Date	Name			③ ASS 1552 CO
								Replace
								Sheet

H

H

1

2

3

4

5

6

7

SV637