



Chipsmall Limited consists of a professional team with an average of over 10 year of expertise in the distribution of electronic components. Based in Hongkong, we have already established firm and mutual-benefit business relationships with customers from,Europe,America and south Asia,supplying obsolete and hard-to-find components to meet their specific needs.

With the principle of “Quality Parts,Customers Priority,Honest Operation,and Considerate Service”,our business mainly focus on the distribution of electronic components. Line cards we deal with include Microchip,ALPS,ROHM,Xilinx,Pulse,ON,Everlight and Freescale. Main products comprise IC,Modules,Potentiometer,IC Socket,Relay,Connector.Our parts cover such applications as commercial,industrial, and automotives areas.

We are looking forward to setting up business relationship with you and hope to provide you with the best service and solution. Let us make a better world for our industry!



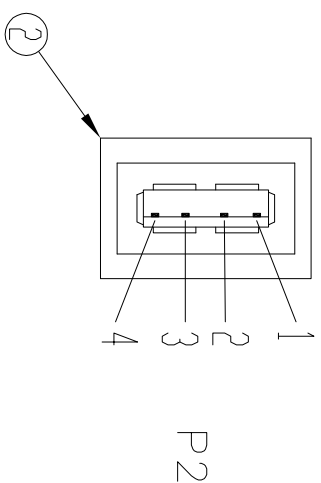
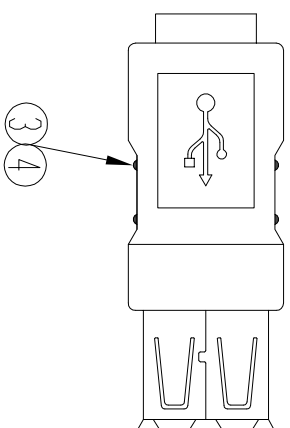
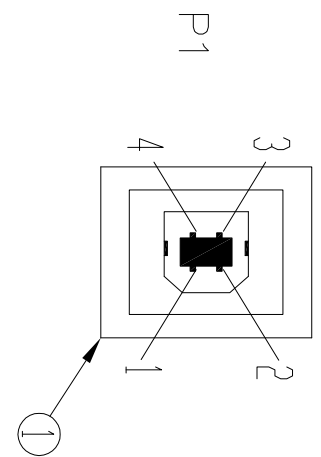
## Contact us

Tel: +86-755-8981 8866 Fax: +86-755-8427 6832

Email & Skype: info@chipsmall.com Web: www.chipsmall.com

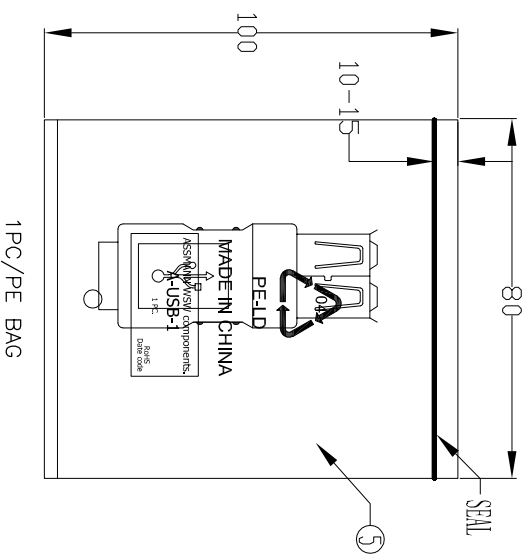
Address: A1208, Overseas Decoration Building, #122 Zhenhua RD., Futian, Shenzhen, China





PIN ASSIGNMENT			
P1		P2	
1	—	1	—
2	—	2	—
3	—	3	—
4	—	4	—
SHEEL	—	SHEEL	—

- Electronic Test:
- 1.100% Test,(Open,Short,Miss Wire)
  - 2.Contact Resistance:3 ohm max.
  - 3.Insulation Resistance:20M ohm min.
  - 4.Hi-Pot:300V DC/10ms



⑥	PE BAG	1/10	CLEAR SIZE:170*250*0.05mm PRINT BLACK*MADE IN CHINA*+*10PCS"
⑤	PE BAG	1	CLEAR SIZE:80*100*0.05mm PRINT BLACK*MADE IN CHINA*+*1PC"
④	OUT JACKET	6g	BEIGE(IV-29) 40P PVC
③	IN JACKET	4g	CLEAR LDPE
②	CABLE	5	28AWG wire, L=30MM
①	CONN	1	USB A FEMALE,SHELL NICKEL PIN GOLD FLASH SHORT BODY
①	CONN	1	USB B FEMALE,SHELL NICKEL PIN GOLD FLASH SHORT BODY

NO. NAME Q'TY SPECIFICATION

**RoHS compliant**

Unit: mm

1PC/PE BAG

Scale	Free	Customer-No.	
TOLERANCE		Drawn	20.02.2017 Amy
		Approved	20.02.2017 Amy
		ASSMANN WSW-No. A-USB-1	
DIM TOL		Drawing-No. ASS 7875 CA rev00	
		Replace Sheet	
Angle TOL		Drawing-No. rev00	
		Sheet	
①	Drawn	Date 20.02.2017 Name Amy	
Modification		Date Name	

**ASSMANN**  
WSW components

1 2 3 4 5 6 7

A B C D E F G H