



Chipsmall Limited consists of a professional team with an average of over 10 year of expertise in the distribution of electronic components. Based in Hongkong, we have already established firm and mutual-benefit business relationships with customers from,Europe,America and south Asia,supplying obsolete and hard-to-find components to meet their specific needs.

With the principle of “Quality Parts,Customers Priority,Honest Operation,and Considerate Service”,our business mainly focus on the distribution of electronic components. Line cards we deal with include Microchip,ALPS,ROHM,Xilinx,Pulse,ON,Everlight and Freescale. Main products comprise IC,Modules,Potentiometer,IC Socket,Relay,Connector.Our parts cover such applications as commercial,industrial, and automotives areas.

We are looking forward to setting up business relationship with you and hope to provide you with the best service and solution. Let us make a better world for our industry!



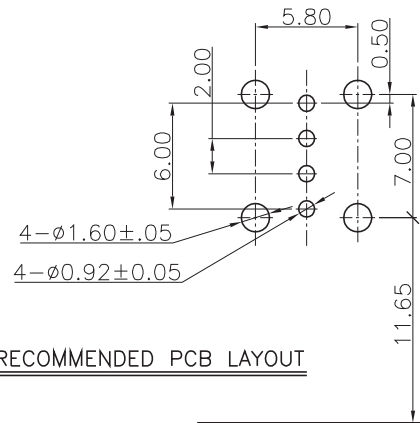
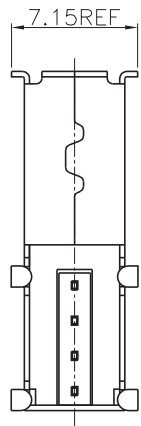
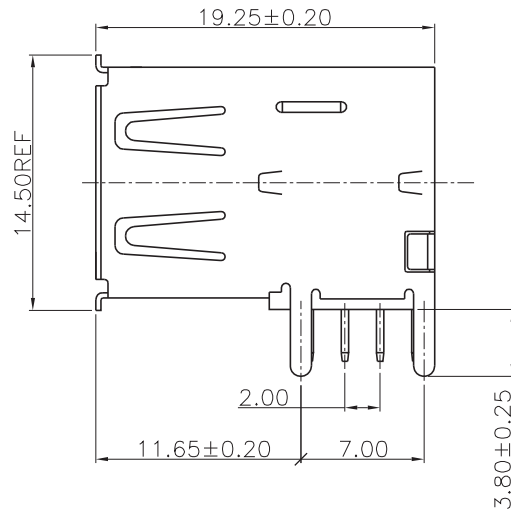
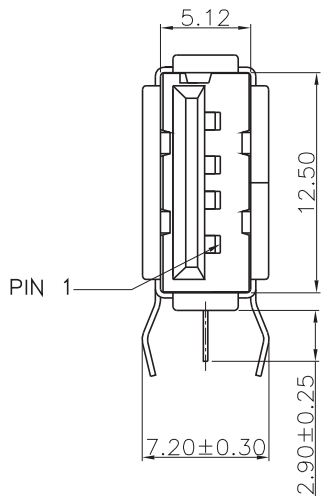
Contact us

Tel: +86-755-8981 8866 Fax: +86-755-8427 6832

Email & Skype: info@chipsmall.com Web: www.chipsmall.com

Address: A1208, Overseas Decoration Building, #122 Zhenhua RD., Futian, Shenzhen, China





Material:

- Housing: PBT+30% G.F. UL 94V-0
- Contact: Phosphor Bronze
- Color: White
- Front Shell: Brass
- Back Shell: SPCC

Plating:


- Plating: Gold 5μ"
- Shell: Nickel over all plating

Electrical:

- Current rating: 1.5A Max.
- Voltage rating: 30V Max.
- Contact resistance: 30mΩ Max.
- Insulation resistance: 1,000MΩ Min.
- Dielectric withstanding voltage: 500V AC
- Temperature range: -55°C ~ +85°C

Unit: mm



Scale	1:1					Date	Name	Title USB 1.1 DIP Connector for PCB Mount, A Female type
TOLERANCE						Drawn	08.01.13	
X.X	±0.3					Approved	08.01.13	Groll
X.XX	±0.15							
X.XXX	±0.100							
DIM	TOL							
X.X°	±3.00°							
X.XX°	±1.00°	⓪						
X.XXX°	±0.500°	⓪						
	Id.		Modification		Date	Name		
							<small>1840 W. Drake Drive, Suite 101 • Tempe, AZ 85283 Toll Free: 1-877-277-6266 • Email: info@assmann.us</small>	

ASSMANN WSW-No. A-USB-A-E-R	
Drawing-No.	rev00
Replace	Sheet 1/1