



Chipsmall Limited consists of a professional team with an average of over 10 year of expertise in the distribution of electronic components. Based in Hongkong, we have already established firm and mutual-benefit business relationships with customers from,Europe,America and south Asia,supplying obsolete and hard-to-find components to meet their specific needs.

With the principle of “Quality Parts,Customers Priority,Honest Operation,and Considerate Service”,our business mainly focus on the distribution of electronic components. Line cards we deal with include Microchip,ALPS,ROHM,Xilinx,Pulse,ON,Everlight and Freescale. Main products comprise IC,Modules,Potentiometer,IC Socket,Relay,Connector.Our parts cover such applications as commercial,industrial, and automotives areas.

We are looking forward to setting up business relationship with you and hope to provide you with the best service and solution. Let us make a better world for our industry!



Contact us

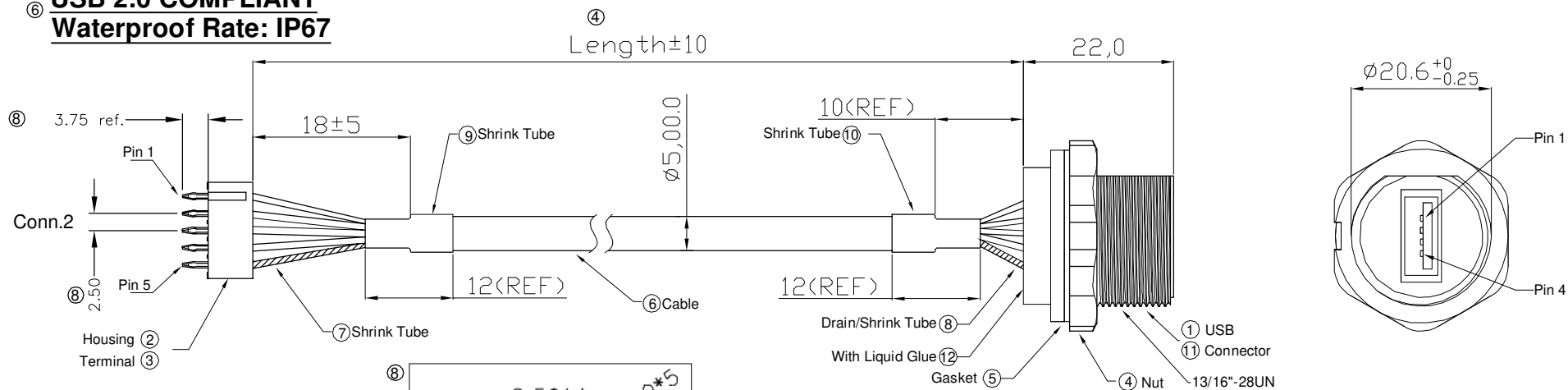
Tel: +86-755-8981 8866 Fax: +86-755-8427 6832

Email & Skype: info@chipsmall.com Web: www.chipsmall.com

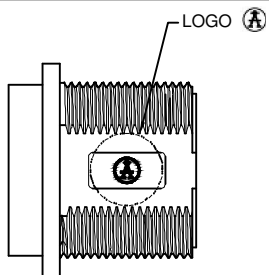
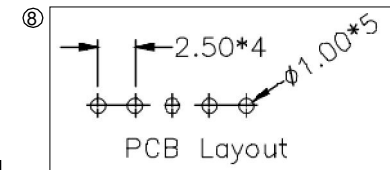
Address: A1208, Overseas Decoration Building, #122 Zhenhua RD., Futian, Shenzhen, China



⑥ USB 2.0 COMPLIANT
Waterproof Rate: IP67



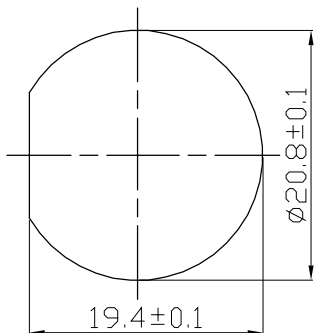
- Note:**
- 1.Connector: ABS 94V-0. Black
 - 2.USB: USB A Type, Female Solder
 - 3.Housing: 25020101-05
 - 4.Cable: USB2.0 28AWGx1P+24AWGx2C+AL.My+D+B UV Resistant, Black,OD=5.0mm
 - ⑦ 5.Operate temperature: -20°C ~ 80°C
 - ⑨ 6.The current rating: 1.5A



5	Drain(28AWG)	Shelled
4	Black(24AWG)	4
3	Green(28AWG)	3
2	White(28AWG)	2
1	Red(24AWG)	1
Conn.2	Wire Color	Conn.1

WSW P/N	Length
④ A-USB-APFS	50 mm
A-USB-APFS-150	150 mm
A-USB-APFS-200	200 mm
⑤ A-USB-APFS-250	250 mm

RoHS compliant



Recommended Panel Cut-Out

Scale	Free	⑨	Add current rating information	11.10.2016	Jesse		Date	Name	Customer-No.
TOLERANCE		⑧	Add PCB layout and pitch	27.05.2015	Joanna	Drawn	20.08.2004	Hellwig	ASSMANN WSW-No. A-USB-APFS A-USB-APFS-150 A-USB-APFS-200 A-USB-APFS-250
±0.5		⑦	Add operate temperature	20.03.2015	Joanna	Approved	11.10.2016	Jesse	
		⑥	Add USB 2.0 compliant	27.08.2013	Ray				
		⑤	Add P/N	04.07.2013	Joanna				Drawing-No.
		④	Update	05.04.2012	Lucas				ASS 1576 CA rev09
		Id.	Modification	Date	Name				Replace Sheet

