



Chipsmall Limited consists of a professional team with an average of over 10 year of expertise in the distribution of electronic components. Based in Hongkong, we have already established firm and mutual-benefit business relationships with customers from,Europe,America and south Asia,supplying obsolete and hard-to-find components to meet their specific needs.

With the principle of "Quality Parts,Customers Priority,Honest Operation,and Considerate Service",our business mainly focus on the distribution of electronic components. Line cards we deal with include Microchip,ALPS,ROHM,Xilinx,Pulse,ON,Everlight and Freescale. Main products comprise IC,Modules,Potentiometer,IC Socket,Relay,Connector.Our parts cover such applications as commercial,industrial, and automotives areas.

We are looking forward to setting up business relationship with you and hope to provide you with the best service and solution. Let us make a better world for our industry!



Contact us

Tel: +86-755-8981 8866 Fax: +86-755-8427 6832

Email & Skype: info@chipsmall.com Web: www.chipsmall.com

Address: A1208, Overseas Decoration Building, #122 Zhenhua RD., Futian, Shenzhen, China



1

2

3

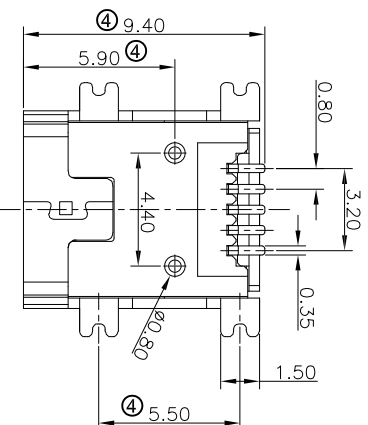
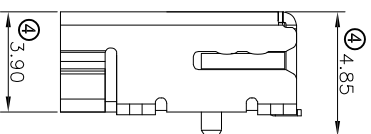
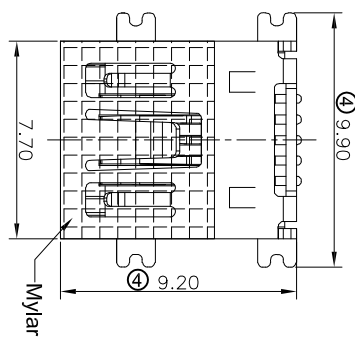
4

5

6

7

③ USB 2.0 COMPLIANT



④ NOTES:

④ 1. MATERIAL:

- 1.1 Housing: LCP+30%GF UL94V-0, Color Black
- 1.2 Contact : C5191-EH, T=0.25mm
- 1.3 Shell: C2680R-H, T=0.40mm

2. FINISH:

2.1 Contact:

Contact Area: Selective 30u"Au
Solder Area: 100u" MIN Tin Plated
Under Plate: 50u" MIN Ni Plated

2.2 Shell: Ni Plated

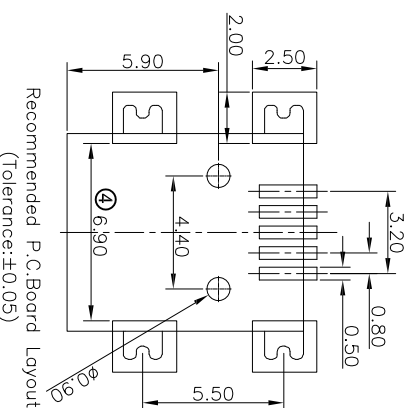
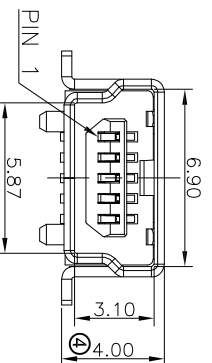
④ 3. MECHANICAL:

- 3.1 Mating Force: 3.57 kgf MAX
- 3.2 Unmating Force: 0.3 kgf MIN
- 3.3 Durability: 5000 Cycles MIN

④ 4. ELECTRICAL:

- 4.1 Current Rating: 1.0A
- 4.2 Dielectric Strength: 100V AC For 1 Minute
- 4.3 Contact Resistance: 50mΩ MAX
- 4.4 Insulation Resistance: 100MΩ MIN

- ④ 5. OPERATING TEMPERATURE: -55°C To +85°C.
- ④ PACKING: Tape&Reel+mylar



Recommended P.C.Board Layout
(Tolerance:±0.05)

RoHS compliant
Unit: mm

| Scale | Free TOLERANCE | | | | | | | | | | | | | | | | | | |
|-------|----------------|-----|-------------------------|------------|-------|----------|------------|--------|--------------|------------------|------------------|------------------|------------------|------------------|------------------|------------------|------------------|------------------|------------------|
| .X | ±0.30 | ④ | Update | 23.05.2018 | Segal | Drawn | 25.03.2006 | Alex | Customer-No. | ASSMANN WSW-No. | ASSMANN WSW-No. | ASSMANN WSW-No. | ASSMANN WSW-No. | ASSMANN WSW-No. | ASSMANN WSW-No. | ASSMANN WSW-No. | ASSMANN WSW-No. | ASSMANN WSW-No. | ASSMANN WSW-No. |
| .XX | ±0.20 | ④ | Update | 19.08.2013 | Any | Approved | 23.05.2018 | Winnie | Drawing-No. | A-USB B-M5-SMD-C | A-USB B-M5-SMD-C | A-USB B-M5-SMD-C | A-USB B-M5-SMD-C | A-USB B-M5-SMD-C | A-USB B-M5-SMD-C | A-USB B-M5-SMD-C | A-USB B-M5-SMD-C | A-USB B-M5-SMD-C | A-USB B-M5-SMD-C |
| .XXX | ±0.10 | ③ | Add "USB 2.0 COMPLIANT" | 07.07.2009 | Dean | | | | Replace | ASS 1456D CO | ASS 1456D CO | ASS 1456D CO | ASS 1456D CO | ASS 1456D CO | ASS 1456D CO | ASS 1456D CO | ASS 1456D CO | ASS 1456D CO | ASS 1456D CO |
| DIM | TOL | ② | Update | 25.03.2006 | Alex | | | | | rev04 | rev04 | rev04 | rev04 | rev04 | rev04 | rev04 | rev04 | rev04 | rev04 |
| X.° | ±5° | ① | Drawn | | | | | | | SHEET | SHEET | SHEET | SHEET | SHEET | SHEET | SHEET | SHEET | SHEET | SHEET |
| X.° | ±3° | | | | | | | | | | | | | | | | | | |
| Angle | TOL | Id. | Modification | Date | Name | | | | | | | | | | | | | | |

1

2

3

4

5

6

7

ASSMANN
components

ASSMANN WSW-No.
A-USB B-M5-SMD-C
Drawing-No.
ASS 1456D CO
rev04
SHEET

H

G

E

D

C

B

A

1

2

3

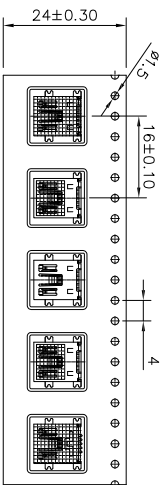
4

5

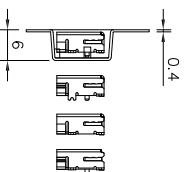
6

7

USB 2.0 COMPLIANT

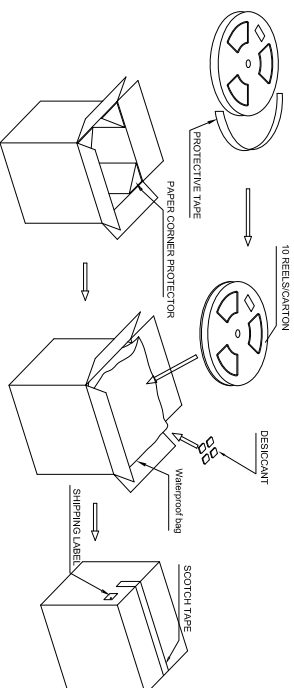
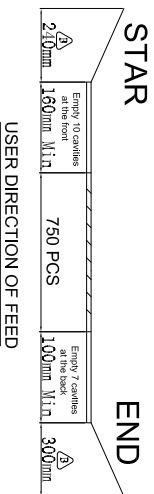
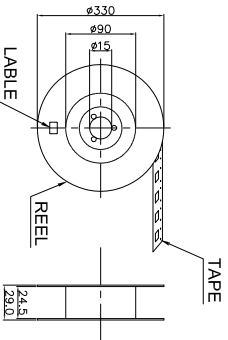


TAPE RUNNING DIRECTION



| ITEM | DESCRIPTION | QTY | UNIT |
|------|------------------------|-----|------|
| 6 | WATERPROOF BAG | 1 | PCS |
| 5 | PAPER CORNER PROTECTOR | 4 | PCS |
| 4 | SHIPPING LABEL | 1 | PCS |
| 3 | CARTON | 1 | PCS |
| 2 | DESICCANT | 4 | PCS |
| 1 | REEL | 10 | SET |

- Notes:
- Quantity: 750 PCS/Reel/10 Reels/7.5K PCS/Carton. If the order or mantissa less than 5pcs, can reasonable select carton size.
 - 4 bags desiccant/Carton.
 - The carton sealed with scotch tape, and attach shipping label on the side.
 - Carton size: A=A 35.5X35X33.5 cm, Reel size: Ø330X29 mm.



RoHS compliant
Unit: mm

| Scale | Free TOLERANCE | Free |
|-------|----------------|------|
| .X | ±0.30 | |
| .XX | ±0.20 | |
| .XXX | ±0.10 | |
| DIM | TOL | |
| X.° | ±5° | |
| .X° | ±3° | |
| Angle | TOL | |

| Id. | Modification | Date | Name |
|-----|-------------------------|------------|-------|
| ④ | Update | 23.05.2018 | Segal |
| ③ | Add "USB 2.0 COMPLIANT" | 19.08.2013 | Amy |
| ② | Update | 07.07.2009 | Dean |
| ① | Drawn | 25.03.2006 | Alex |

Customer-No.

ASSMANN WSW-No.
A-USB B-M5-SMD-C

Drawing-No.

ASS 1456D CO rev04

Replace

SHEET

1

2

3

4

5

6

7

H

G

F

E

D

C

B

A