



Chipsmall Limited consists of a professional team with an average of over 10 year of expertise in the distribution of electronic components. Based in Hongkong, we have already established firm and mutual-benefit business relationships with customers from,Europe,America and south Asia,supplying obsolete and hard-to-find components to meet their specific needs.

With the principle of “Quality Parts,Customers Priority,Honest Operation,and Considerate Service”,our business mainly focus on the distribution of electronic components. Line cards we deal with include Microchip,ALPS,ROHM,Xilinx,Pulse,ON,Everlight and Freescale. Main products comprise IC,Modules,Potentiometer,IC Socket,Relay,Connector.Our parts cover such applications as commercial,industrial, and automotives areas.

We are looking forward to setting up business relationship with you and hope to provide you with the best service and solution. Let us make a better world for our industry!



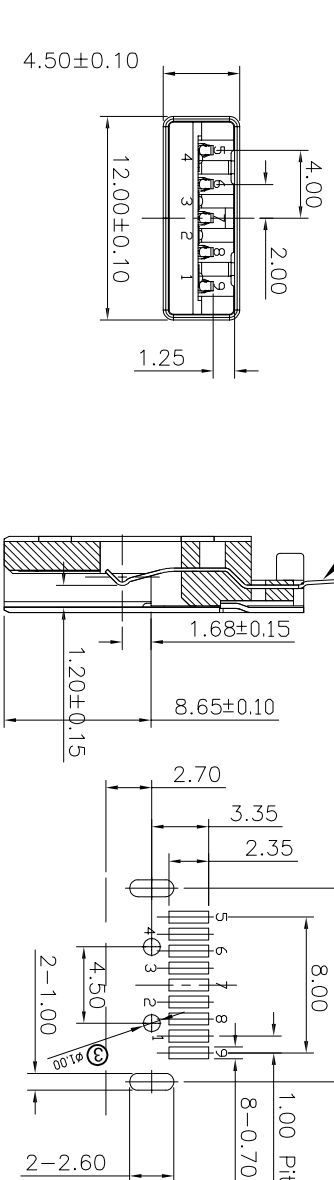
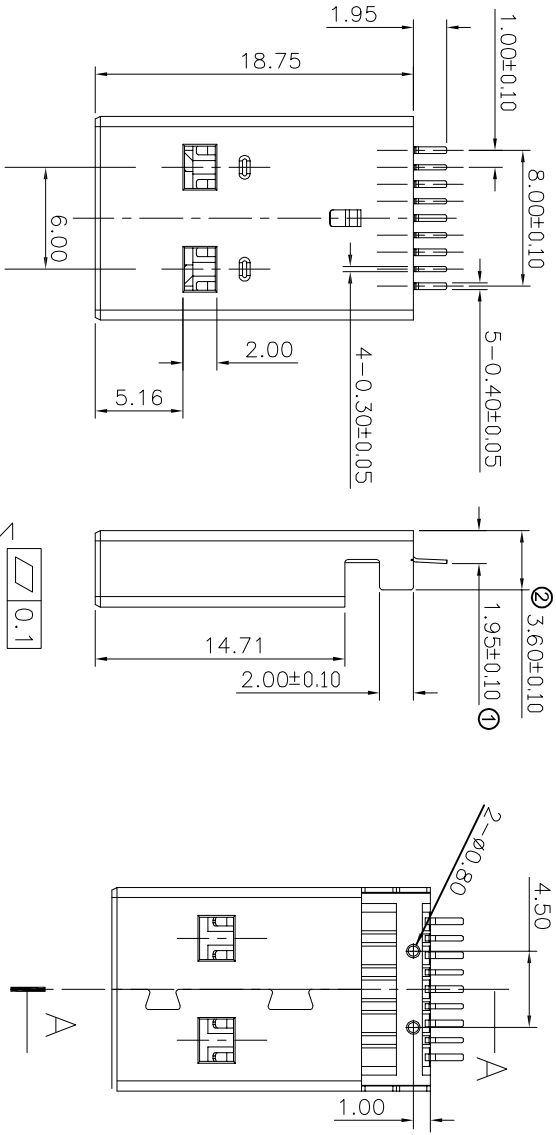
## Contact us

Tel: +86-755-8981 8866 Fax: +86-755-8427 6832

Email & Skype: info@chipsmall.com Web: www.chipsmall.com

Address: A1208, Overseas Decoration Building, #122 Zhenhua RD., Futian, Shenzhen, China





SECTION "A-A"  
RECOMMENDED P.C.B LAYOUT  
(TOLERANCE:±0.05)

**NOTES:**

1. Material:
  - 1.1 Housing: LCP+30%GF UL94V-0, Color Blue
  - 1.2 Cover: LCP +30%GF UL94V-0, Color Blue
  - 1.3 Shell: SPCC
  - 1.4 Contact :Phosphor Bronze
2. FINISH:
  - 2.1 Contact Area: Selective 15u"Au  
Solder Area:80u" Tin Plated  
Under: 30u"Ni Plated
3. MECHANICAL:
  - 3.1 Mating Force:3.57kgf Max.
  - 3.2 Unmating Force:1.02kgf Min
  - 3.3 Durability:5000 cycles Min
4. ELECTRICAL:
  - 4.1 Current Rating:1.0A for Pin1 ToPin4,0.25A for other PIN
  - 4.2 Dielectric Strength:500V AC FOR 1 MINUTE
  - 4.3 Contact Resistance:
    - 20mΩ Maxfor Pin1 ToPin4,50mΩ for other PIN
  - 4.4 Insulation Resistance:100 MΩ Min
  5. Operating temperature: -40°C TO +85°C
  6. PACKLING: Tray

**RoHS compliant**

Scale	Free	Customer-No.	
<b>TOLERANCE</b>			
.X	±0.30	④	ASSMANN WSW-No.
.XX	±0.20	⑤	④ A-USB3 A-LP-SMT1
.XXX	±0.10	⑥	Drawing-No.
DIM	TOL	⑦	ASS 5765 CO
X. °	±5°	⑧	rev04
Angle	TOL	⑨	SHEET
UNIT	mm	⑩	

**ASSMANN**  
WSW/ components

1	2	3	4	5	6	7
1	2	3	4	5	6	7
H	G	F	E	D	C	B
H	G	F	E	D	C	B