



Chipsmall Limited consists of a professional team with an average of over 10 year of expertise in the distribution of electronic components. Based in Hongkong, we have already established firm and mutual-benefit business relationships with customers from,Europe,America and south Asia,supplying obsolete and hard-to-find components to meet their specific needs.

With the principle of “Quality Parts,Customers Priority,Honest Operation,and Considerate Service”,our business mainly focus on the distribution of electronic components. Line cards we deal with include Microchip,ALPS,ROHM,Xilinx,Pulse,ON,Everlight and Freescale. Main products comprise IC,Modules,Potentiometer,IC Socket,Relay,Connector.Our parts cover such applications as commercial,industrial, and automotives areas.

We are looking forward to setting up business relationship with you and hope to provide you with the best service and solution. Let us make a better world for our industry!



## Contact us

Tel: +86-755-8981 8866 Fax: +86-755-8427 6832

Email & Skype: info@chipsmall.com Web: www.chipsmall.com

Address: A1208, Overseas Decoration Building, #122 Zhenhua RD., Futian, Shenzhen, China





1

2

3

4

5

6

7

A

A

NOTE:

1.0.MATERIALS:  
1.1.COLD ROLL STEEL, t=0.35mm

2.0.FINISHES:

2.1.5.0um Min. BRIGHT TIN/LEAD(9:1) OVER 5.0um Min. COPPER

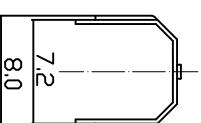
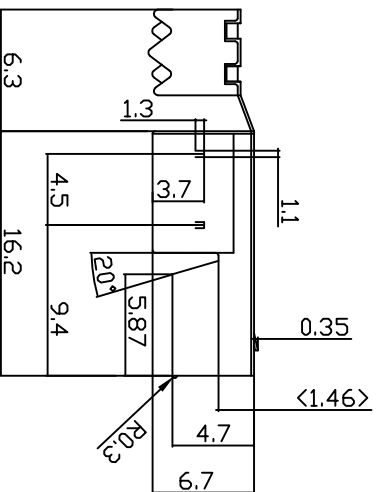
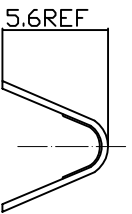
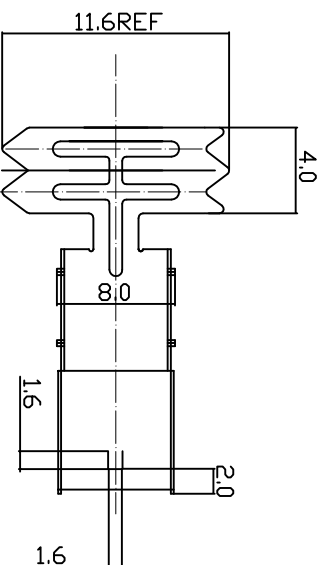
2.2.3.0um-5.0um NICKEL OVER 5.0um Min. COPPER

2.3.1.5u" Min. Au+80~150u" NICKEL +100u"Min. COPPER

2.4.3.0um-5.0um NICKEL OVER 5.0um Min. COPPER(SPECIAL PLATED)

3.0.APPLICATION CABLE SPEC:

UL CSA Type	AWG Signal wires Power wires	Jackel OD.	Cable length(max.)
UL CM	28AWG x 11P, 28AWG x 2Cores	4.2mm	0.81m
UL FT4	28AWG x 11P, 26AWG x 2Cores	4.4mm	1.31m
	28AWG x 11P, 24AWG x 2Cores	4.7mm	2.08m
	28AWG x 11P, 22AWG x 2Cores	5.0mm	3.33m
	28AWG x 11P, 20AWG x 2Cores	5.0mm	5.00m



G

G

Scale	1:1
TOLERANCE	
.XX	±0.10
.X	±0.20
X.	±0.50
XX.	±1
DIM	TOL
Angle	TOL

Id.	Drawn	Modification	Date	Name
①			10.02.2014	Ray

Date	Name
10.02.2014	Ray
10.02.2014	Ray

Customer-No.	ASSMANN WSW-No.
	A-USBPB-2
Drawing-No.	ASS 6282 CO
Replace	rev00

H

H

RoHS compliant

Id.	Drawn	Modification	Date	Name
①			10.02.2014	Ray

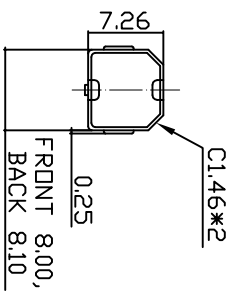
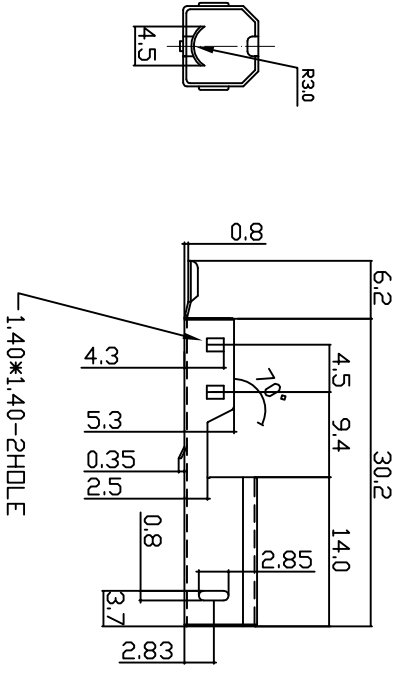
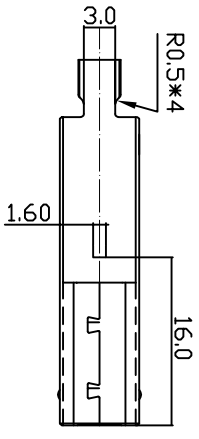
Date	Name
10.02.2014	Ray
10.02.2014	Ray

Customer-No.	ASSMANN WSW-No.
	A-USBPB-2
Drawing-No.	ASS 6282 CO
Replace	rev00

Customer-No.	ASSMANN WSW-No.
	A-USBPB-2
Drawing-No.	ASS 6282 CO
Replace	rev00



1	2	3	4	5	6	7	A
1	2	3	4	5	6	7	A
1	2	3	4	5	6	7	B
1	2	3	4	5	6	7	C
1	2	3	4	5	6	7	D
1	2	3	4	5	6	7	E
1	2	3	4	5	6	7	F
1	2	3	4	5	6	7	G
1	2	3	4	5	6	7	H



NOTE:  
 1.0.MATERIALS:  
 1.1.COLD ROLL STEEL. t=0.35mm  
 2.0.FINISHES:  
 2.1.5.0um Min.BRIGHT TIN/LEAD(9:1) OVER 5.0um Min.COPPER  
 2.2.3.0um-5.0um NICKEL OVER 5.0um Min.COPPER  
 2.3.1.5u" Min.Au+80~150U".NICKEL+100U"Min.COPPER  
 2.4.3.0um-5.0um NICKEL OVER 5.0um Min.COPPER(SPECIAL PLATED)  
 3.0.OTHER:

Scale	1:1								
TOLERANCE									
.XX	±0.10					Drawn	10.02.2014	Ray	
.X	±0.20					Approved	10.02.2014	Ray	
X.	±0.50								
XX.	±1								
DIM	TOL								
Angle	TOL								
		Id.	Modification	Date	Name				
		①	Drawn	10.02.2014	Ray				

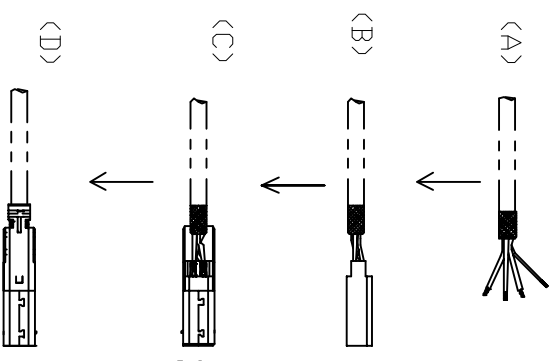
**RoHS compliant**



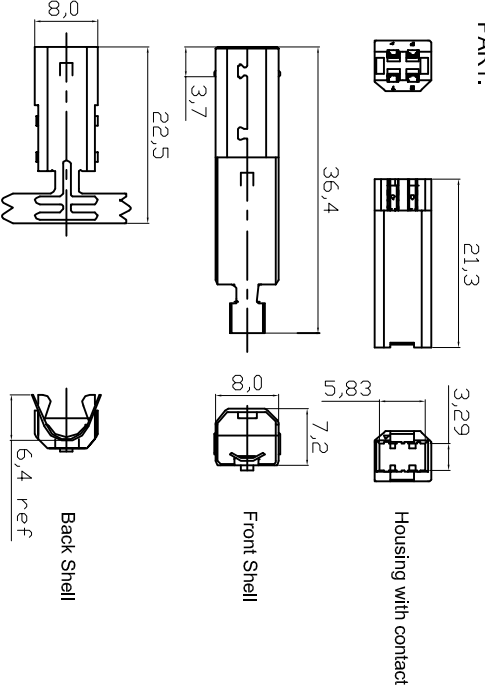
Customer-No.	
ASSMANN WSW-No.	A-USBPB-2
Drawing-No.	ASS 6282 CO
Replace	rev00
Sheet	3 / 4

	1	2	3	4	5	6	7																																																																									
A								A																																																																								
B								B																																																																								
C								C																																																																								
D								D																																																																								
E								E																																																																								
F								F																																																																								
G	<table border="1"> <tr> <td>Scale</td> <td>1:1</td> <td></td> <td></td> <td></td> <td></td> <td></td> <td></td> </tr> <tr> <td>TOLERANCE</td> <td></td> <td></td> <td></td> <td></td> <td></td> <td></td> <td></td> </tr> <tr> <td>.XX</td> <td>±0.05</td> <td></td> <td></td> <td></td> <td></td> <td></td> <td></td> </tr> <tr> <td>.X</td> <td>±0.10</td> <td></td> <td></td> <td></td> <td></td> <td></td> <td></td> </tr> <tr> <td>X.</td> <td>±0.15</td> <td></td> <td></td> <td></td> <td></td> <td></td> <td></td> </tr> <tr> <td>DIM</td> <td>TOL</td> <td></td> <td></td> <td></td> <td></td> <td></td> <td></td> </tr> <tr> <td>X°</td> <td>±3°</td> <td></td> <td></td> <td></td> <td></td> <td></td> <td></td> </tr> <tr> <td>X°</td> <td>±1.0°</td> <td></td> <td></td> <td></td> <td></td> <td></td> <td></td> </tr> <tr> <td>Angle</td> <td>TOL</td> <td></td> <td></td> <td></td> <td></td> <td></td> <td></td> </tr> </table>							Scale	1:1							TOLERANCE								.XX	±0.05							.X	±0.10							X.	±0.15							DIM	TOL							X°	±3°							X°	±1.0°							Angle	TOL							G
Scale	1:1																																																																															
TOLERANCE																																																																																
.XX	±0.05																																																																															
.X	±0.10																																																																															
X.	±0.15																																																																															
DIM	TOL																																																																															
X°	±3°																																																																															
X°	±1.0°																																																																															
Angle	TOL																																																																															
H	<p><b>RoHS compliant</b></p> <table border="1"> <tr> <td>Id.</td> <td>①</td> <td>Drawn</td> <td></td> <td></td> <td></td> <td></td> <td></td> </tr> <tr> <td>Modification</td> <td></td> <td></td> <td></td> <td></td> <td></td> <td></td> <td></td> </tr> <tr> <td>Date</td> <td></td> <td>10.02.2014</td> <td></td> <td></td> <td></td> <td></td> <td></td> </tr> <tr> <td>Name</td> <td></td> <td>Ray</td> <td></td> <td></td> <td></td> <td></td> <td></td> </tr> </table>							Id.	①	Drawn						Modification								Date		10.02.2014						Name		Ray						H																																								
Id.	①	Drawn																																																																														
Modification																																																																																
Date		10.02.2014																																																																														
Name		Ray																																																																														

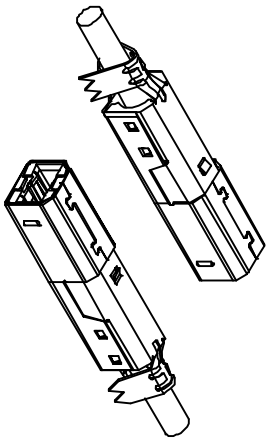
ASSEMBLY PROCESS



PART:



NOTES:  
 Rating:  
 Voltage: 30VAC (R.M.S)  
 Current: 1.5 AMPERE MINIMUM PER CONTACT AT 30°C T-RISE TEMPERATURE: -55°C TO +85°C UNLESS LIMITED BY CABLE OR OVERMOLD (-40°C TO +60°C STORAGE: 0°C TO +40 °C (OPERATING) ELECTRIC RESISTANCE: 30 MILLIOHMS MAXIMUM INITIAL INSULATION RESISTANCE: 1000 MEGOHMS MINIMUM DIELECTRIC WITHSTANDING VOLTAGE: 500VAC AT SEA LEVEL CAPACITANCE: 2 PICOFARADS MAXIMUM AT 1KHZ MODIFICATION SEAM DIRECTION CIRCUMGYRATE: 180 DEGREE



Customer-No.  
 ASSMANN WSW-No.  
**A-USBPB-2**  
 Drawing-No.  
**ASS 6282 CO**  
 Replace  
 rev00

Drawn

Date

Name

Approved

Date

Name

Drawn

Date

Name

Approved

Date

Name

10.02.2014

Ray

10.02.2014

Ray

4 / 4