



Chipsmall Limited consists of a professional team with an average of over 10 year of expertise in the distribution of electronic components. Based in Hongkong, we have already established firm and mutual-benefit business relationships with customers from,Europe,America and south Asia,supplying obsolete and hard-to-find components to meet their specific needs.

With the principle of “Quality Parts,Customers Priority,Honest Operation,and Considerate Service”,our business mainly focus on the distribution of electronic components. Line cards we deal with include Microchip,ALPS,ROHM,Xilinx,Pulse,ON,Everlight and Freescale. Main products comprise IC,Modules,Potentiometer,IC Socket,Relay,Connector.Our parts cover such applications as commercial,industrial, and automotives areas.

We are looking forward to setting up business relationship with you and hope to provide you with the best service and solution. Let us make a better world for our industry!



Contact us

Tel: +86-755-8981 8866 Fax: +86-755-8427 6832

Email & Skype: info@chipsmall.com Web: www.chipsmall.com

Address: A1208, Overseas Decoration Building, #122 Zhenhua RD., Futian, Shenzhen, China



1

2

3

4

5

6

7

A

B

C

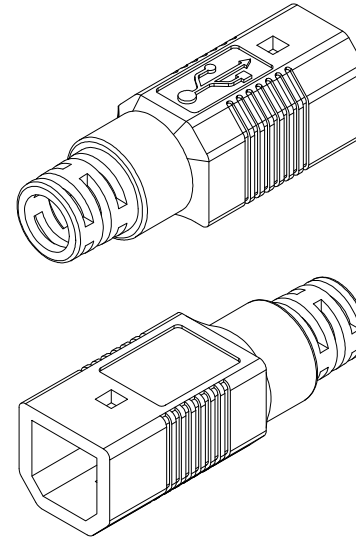
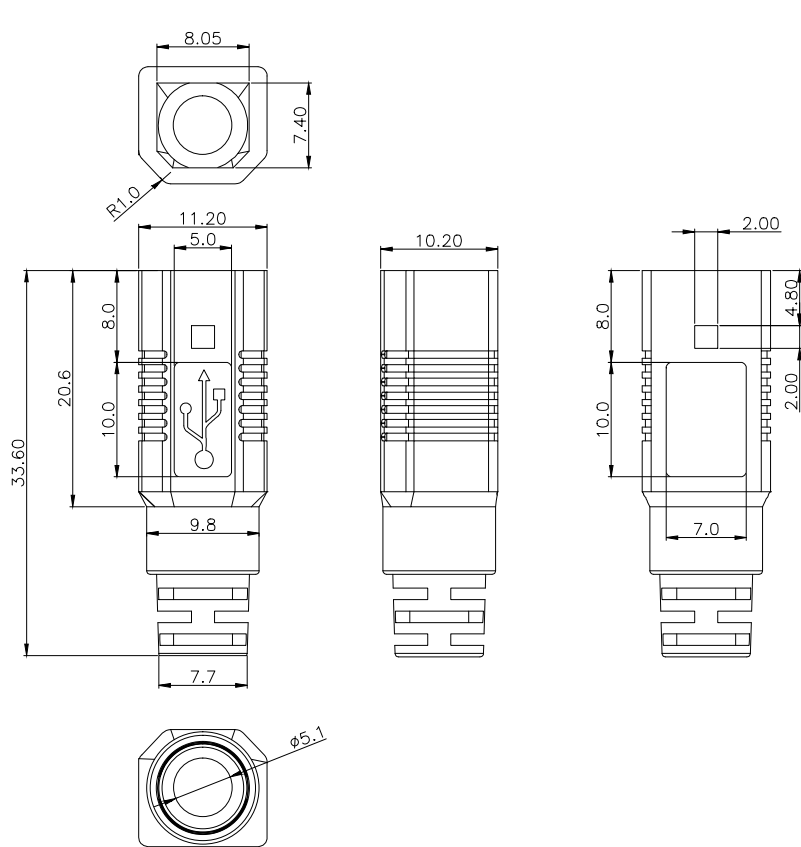
D

E

F

G

H



Notes:


Material: ABS UL94V-0 Color: Beige

Burr: 0.05mm max. on contact area

Environmental:

1. Operating temperature range: -20°C to +60°C
(Without loss function)
2. storage temperature range: -20°C to +60°C
(Without loss function)

RoHS compliant
Unit: mm

Scale	Free					Date	Name	Customer-No.			
TOLERANCE						Drawn	18.02.2016	Amy			
X.X	±0.35					Approved	18.07.2018	Winnie			
X.XX	±0.25							ASSMANN WSW-No.			
X.XXX	±0.15							A-USBPB-HOOD-R			
DIM	TOL	①	Update	18.07.2018	Xavier						
		②	Drawn	18.02.2016	Amy				Drawing-No.	ASS 7138 CO	rev01
		Id.	Modification	Date	Name				Replace	Sheet	

1

2

3

4

5

6

7