



Chipsmall Limited consists of a professional team with an average of over 10 year of expertise in the distribution of electronic components. Based in Hongkong, we have already established firm and mutual-benefit business relationships with customers from,Europe,America and south Asia,supplying obsolete and hard-to-find components to meet their specific needs.

With the principle of “Quality Parts,Customers Priority,Honest Operation,and Considerate Service”,our business mainly focus on the distribution of electronic components. Line cards we deal with include Microchip,ALPS,ROHM,Xilinx,Pulse,ON,Everlight and Freescale. Main products comprise IC,Modules,Potentiometer,IC Socket,Relay,Connector.Our parts cover such applications as commercial,industrial, and automotives areas.

We are looking forward to setting up business relationship with you and hope to provide you with the best service and solution. Let us make a better world for our industry!



Contact us

Tel: +86-755-8981 8866 Fax: +86-755-8427 6832

Email & Skype: info@chipsmall.com Web: www.chipsmall.com

Address: A1208, Overseas Decoration Building, #122 Zhenhua RD., Futian, Shenzhen, China



1

2

3

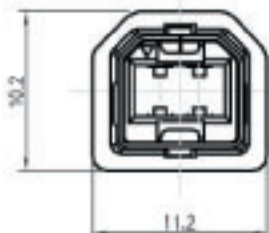
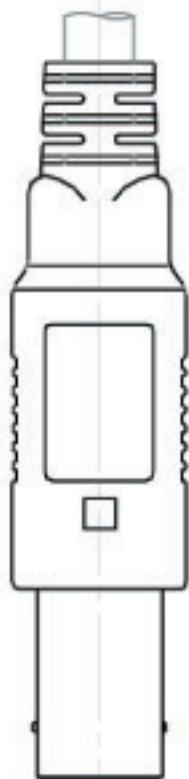
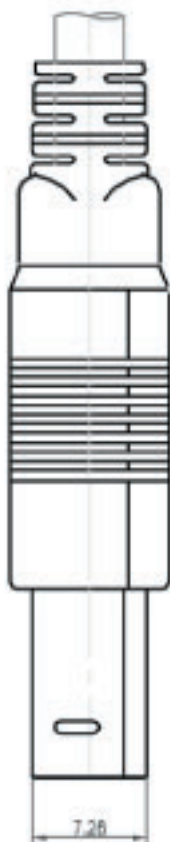
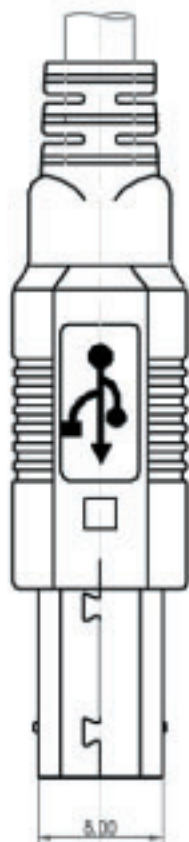
4

A

B

C

D



1

2

3

4

REV.	DESCRIPTION	DRAWN/DATE	CHECK/DATE	APPROVED/DATE
A	NEW RELEASE NPR-98007	WELLEN 08/23/98	Max 08/03/98	JOHN CHEN 08/04/98
B	REV. PER ECR-09053 Δ 1	Starly 02/23/99	Max 02/26/99	JOHN CHEN 03/01/99
C	REV. PER ECR-09292 Δ X4	Starly 09/19/99	Max 09/29/99	JOHN CHEN 10/04/99
D	REV. PER ECR-00101 Δ X1	KELLY 02/24/00	Max 02/25/00	JOHN CHEN 02/25/00
E	REV. PER SZEGR-00172 Δ X4	WU 11/07/00	TOM 11/16/00	ROGER 11/17/00
F	REV. PER SZEGR-01800 Δ X2	JAO 08/23/01	TOM 08/29/01	MAX 08/29/01

NOTES :

- 1.0. RATING :
 - 1.1. VOLTAGE : 30 VAC (R.M.S.)
 - 1.2. CURRENT : 1.0 AMPERE MAXIMUM PER CONTACT AT 30°C T-RISE
 - 1.3. TEMPERATURE : -55°C TO +85°C UNLESS LIMITED BY CABLE OR OVERMOLD (-40°C TO +60°C STORAGE ;+0°C TO +40°C OPERATING)
- 2.0. ELECTRIC CHARACTERISTIC :
 - 2.1. CONTACT RESISTANCE : 30 MILLIOHMS MAXIMUM INITIAL
 - 2.2. INSULATION RESISTANCE : 1,000 MEGOHMS MINIMUM
 - 2.3. DIELECTRIC WITHSTANDING VOLTAGE : 500 VAC AT SEA LEVEL
- 3.0. MATERIALS : ABS RESIN, UL 94V-0 RATED
- 4.0. OTHERS :
 - 4.1. ALL PART MUST BE PURCHASED SEPARATELY (REFER TO TABLE B)
 - 4.2. PRODUCT NUMBERING CODE: REFER TO TABLE A

GENERAL TOLERANCE	ANGLE TOLERANCE	DRAWN	DATE	ASSMANN Electronics, Inc.
X ±0.38 J ±0.25 JK ±0.13 JKK ±0.05	K ±3.0° X ±2.0° XX ±1.0°	WELLEN	07/31/98	
FINISH SEE NOTES		DESIGN	DATE	TITLE A-USBPB-HOOD USB B TYPE HOOD
WTL SEE NOTES		MAX YANG	04/10/98	
SCALE 3 : 1	UNIT mm	CHECKED	DATE	SERIES USB B TYPE SERIES DRAWING NO. CI-USBC12-00-00
SHEET 1 OF 2		MAX YANG	08/03/98	
		APPROVED	DATE	SIZE A3
		JOHN CHEN	08/04/98	REV. F

1

2

3

4

A

A

B

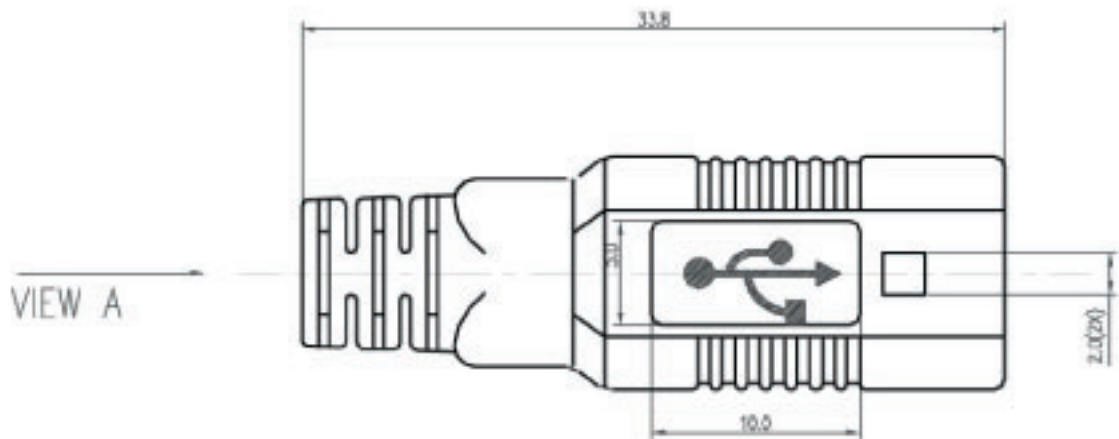
B

C

C

D

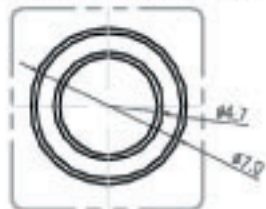
D



CABLE EXIT: TYPE I
(RECOMMENDED CABLE OD=#3.4~#3.8)



CABLE EXIT: TYPE II
(RECOMMENDED CABLE OD=#3.9~#4.6)



CABLE EXIT: TYPE III
(RECOMMENDED CABLE OD=#4.7~#5.3)



CABLE EXIT: TYPE IV
(RECOMMENDED CABLE OD=#4.5~#4.9)



VIEW A

GENERAL TOLERANCE	ANGLE TOLERANCE	DRAWN	DATE
X ±0.28	X ±30°	WELLEN	07/31/98
J ±0.25	F ±	DESIGN	DATE
JX ±0.13	XF ±1.0°	MAX YANG	04/10/98
JK ±0.08	XF ±1.0°	CHECKED	DATE
		MAX YANG	08/03/98
W/L SEE NOTES	UNIT DIM	APPROVED	DATE
FINISH SEE NOTES		JOHN CHEN	08/04/98
SCALE 3 : 1			
SHEET 2 OF 2			

ASSMANN Electronics, Inc.	
TITLE A-USBPB-HOOD	
USB B TYPE HOOD	
SERIES USB B TYPE SERIES	SIZE A3
DRAWING NO. CI-LBC12-00-00	REV. 7

1

2

3

4