



Chipsmall Limited consists of a professional team with an average of over 10 year of expertise in the distribution of electronic components. Based in Hongkong, we have already established firm and mutual-benefit business relationships with customers from,Europe,America and south Asia,supplying obsolete and hard-to-find components to meet their specific needs.

With the principle of “Quality Parts,Customers Priority,Honest Operation,and Considerate Service”,our business mainly focus on the distribution of electronic components. Line cards we deal with include Microchip,ALPS,ROHM,Xilinx,Pulse,ON,Everlight and Freescale. Main products comprise IC,Modules,Potentiometer,IC Socket,Relay,Connector.Our parts cover such applications as commercial,industrial, and automotives areas.

We are looking forward to setting up business relationship with you and hope to provide you with the best service and solution. Let us make a better world for our industry!



Contact us

Tel: +86-755-8981 8866 Fax: +86-755-8427 6832

Email & Skype: info@chipsmall.com Web: www.chipsmall.com

Address: A1208, Overseas Decoration Building, #122 Zhenhua RD., Futian, Shenzhen, China



1

2

3

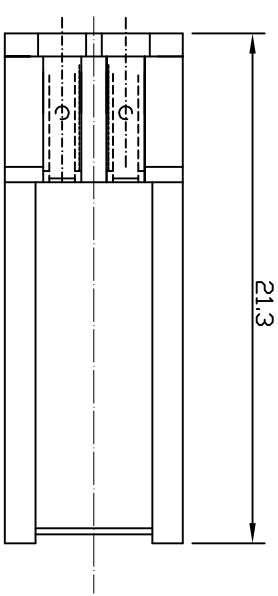
4

5

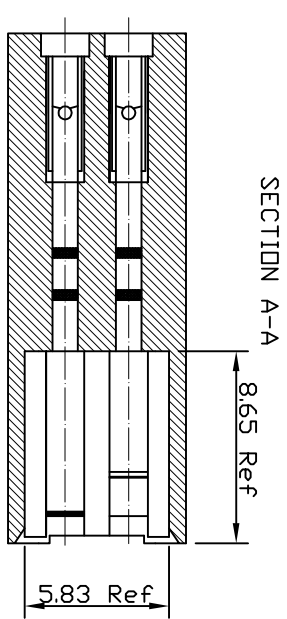
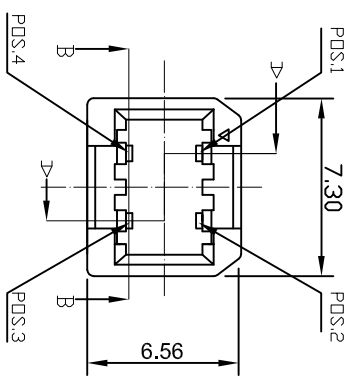
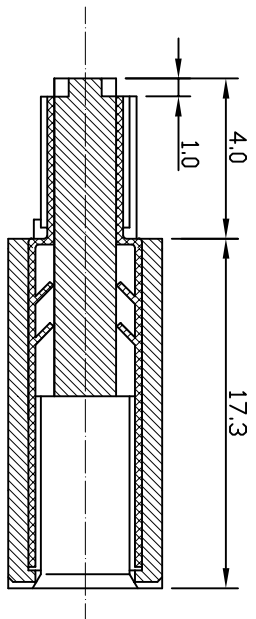
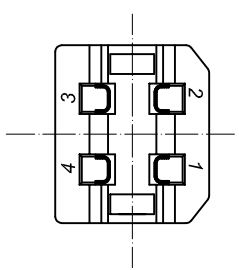
6

7

⑤ USB2.0 COMPLIANT



NOTE:
 1. MATERIALS:
 INSULATION: PBT 30%GLASS FILLED UL94V-0
 COLOR: WHITE
 CONTACT: COPPER ALLOY PREPLATE GOLD FLASH



SECTION B-B

Scale	1:1
TOLERANCE	
.XX	±0.10
.X	±0.20
X.	±0.50
XX.	±1
DIM	TOL
Angle	TOL

⑥	Update	27.08.2013	Winnie	Drawn	20.10.2004	Hellwing
④	Add assembly instructions	11.06.2012	Lucas	Approved	27.08.2013	Winnie
③	Add application cable OD.	13.03.2012	Lucas			
②	Update	14.07.2009	Rale			
①	Drawn	20.10.2004	Hellwig			

Customer-No.	
ASSMANN WSW-No.	A-USBPB-N
Drawing-No.	ASS 1518C CO
Replace	rev05
Sheet	1 / 4

ROHS compliant

1

2

3

4

5

6

7

A B C D E F G H

1

2

3

4

5

6

7

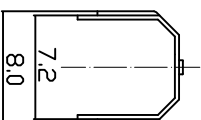
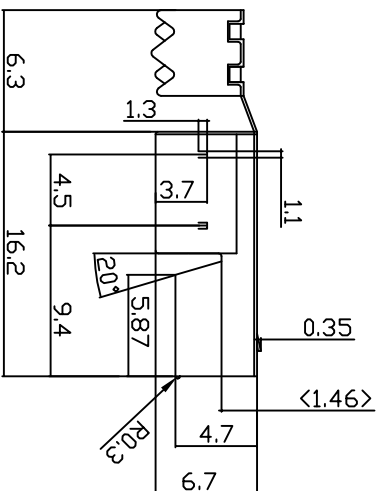
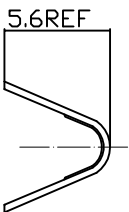
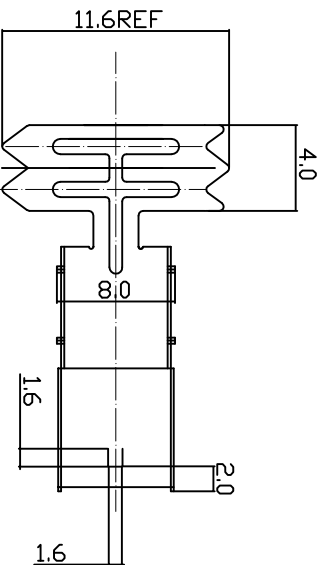
A

A

NOTE:
 1.0.MATERIALS:
 1.1.COLD ROLL STEEL, t=0.35mm
 2.0.FINISHES:
 2.1.5.0um Min.BRIGHT TIN/LEAD(9:1) OVER 5.0um Min.COPPER
 2.2.3.0um-5.0um NICKEL OVER 5.0um Min.COPPER
 2.3.1.5u" Min.Au+80~150U".NICKEL+100U"Min.COPPER
 2.4.3.0um-5.0um NICKEL OVER 5.0um Min.COPPER(SPECIAL PLATED)

③ 3.0.APPLICATION CABLE SPEC:

UL CSA Type	AWG Signal wires Power wires	Jackel OD.	Cable length(max.)
UL CM	28AWG x 11.P., 28AWG x 2Cores	4.2mm	0.81m
UL FT4	28AWG x 11.P., 26AWG x 2Cores	4.4mm	1.31m
	28AWG x 11.P., 24AWG x 2Cores	4.7mm	2.08m
	28AWG x 11.P., 22AWG x 2Cores	5.0mm	3.33m
	28AWG x 11.P., 20AWG x 2Cores	5.0mm	5.00m



B

B

C

C

D

D

E

E

F

F

G

G

H

H

ROHS compliant

Scale	1:1
TOLERANCE	
.XX	±0.10
.X	±0.20
X.	±0.50
XX.	±1
DIM	TOL
Angle	TOL

Id.	Modification	Date	Name
⑥	Update	27.08.2013	Winnie
④	Add assembly instructions	11.06.2012	Lucas
③	Add application cable OD.	13.03.2012	Lucas
②	Update	14.07.2009	Rale
①	Drawn	20.10.2004	Helwig

Date	Name
20.10.2004	Helwig
27.08.2013	Winnie



Customer-No.	ASSMANN WSW-No.	Drawing-No.	Replace
	A-USBPB-N	ASS 1518C CO	Replace

Sheet 2 / 4

1

2

3

4

5

6

7

1

2

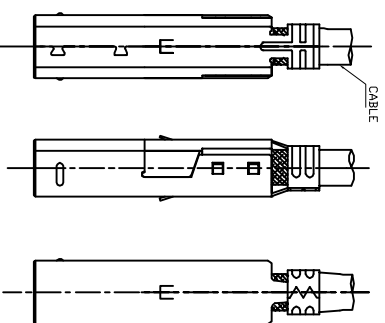
3

4

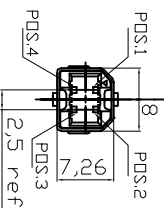
5

6

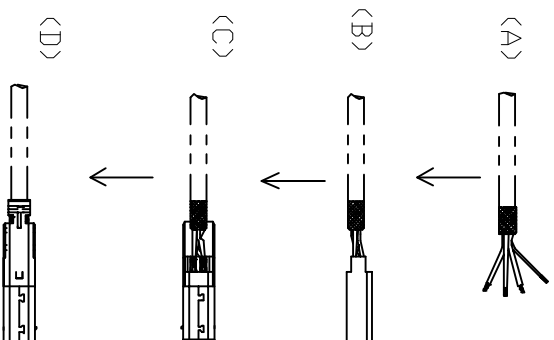
7



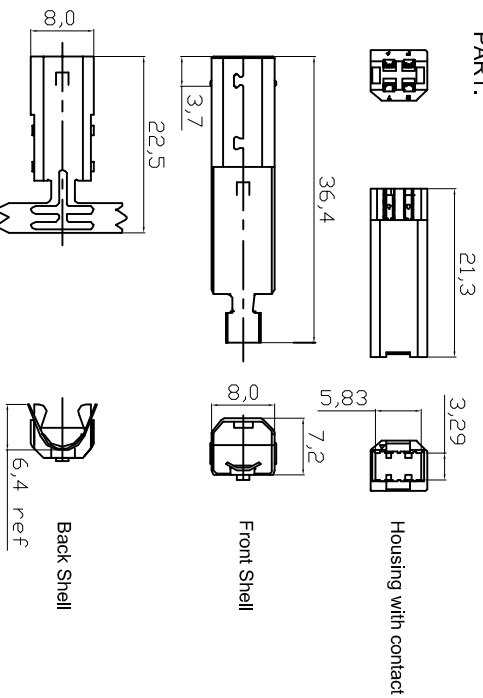
CABLE



ASSEMBLY PROCESS



PART:



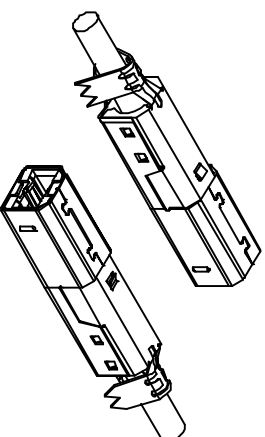
Front Shell

Back Shell

<D>

<C>

<A>



NOTES:
 Rating:
 Voltage: 30VAC (R.M.S)
 Current: 1,5 AMPERE MINIMUM PER CONTACT AT 30°C T-RISE
 TEMPERATURE: -55°C TO +85°C UNLESS LIMITED BY CABLE OR
 OVERMOLD (40°C TO +60°C STORAGE; 0°C TO +40 °C OPERATING)
 ELECTRIC RESISTANCE: 30 MILLIOHMS MAXIMUM INITIAL
 INSULATION RESISTANCE: 1000 MEGOHMS MINIMUM
 DIELECTRIC WITHSTANDING VOLTAGE: 500VAC AT SEA LEVEL
 CAPACITANCE: 2 PICOFARADS MAXIMUM AT 1KHZ
 MODIFICATION SEAM1 DIRECTION CIRCUMGRATE: 180 DEGREE

A

A

B

B

C

C

D

D

E

E

F

F

G

G

H

H

ROHS compliant

1

2

3

4

5

6

7

Scale	1:1						
TOLERANCE		③	Update	27.08.2013	Winnie	Drawn	20.10.2004
.XX	±0,05	④	Add assembly instructions	11.06.2012	Lucas	Approved	27.08.2013
.X	±0,10	③	Add application cable OD.	13.03.2012	Lucas		
DIM	TOL	②	Update	14.07.2009	Rate		
X°	±3°	①	Drawn	20.10.2004	Helwig		
.X°	±1,0°	Id.	Modification				
Angle	TOL						

Customer-No.

Customer-No.

ASSMANN WSW-No.

ASSMANN WSW-No.

A-USBPB-N

A-USBPB-N

Drawing-No.

Drawing-No.

ASS 1518C CO

ASS 1518C CO

rev05

rev05

Replace

Replace

Sheet
4 / 4Sheet
4 / 4

ASSMANN
 WSW components