



Chipsmall Limited consists of a professional team with an average of over 10 year of expertise in the distribution of electronic components. Based in Hongkong, we have already established firm and mutual-benefit business relationships with customers from,Europe,America and south Asia,supplying obsolete and hard-to-find components to meet their specific needs.

With the principle of “Quality Parts,Customers Priority,Honest Operation,and Considerate Service”,our business mainly focus on the distribution of electronic components. Line cards we deal with include Microchip,ALPS,ROHM,Xilinx,Pulse,ON,Everlight and Freescale. Main products comprise IC,Modules,Potentiometer,IC Socket,Relay,Connector.Our parts cover such applications as commercial,industrial, and automotives areas.

We are looking forward to setting up business relationship with you and hope to provide you with the best service and solution. Let us make a better world for our industry!



Contact us

Tel: +86-755-8981 8866 Fax: +86-755-8427 6832

Email & Skype: info@chipsmall.com Web: www.chipsmall.com

Address: A1208, Overseas Decoration Building, #122 Zhenhua RD., Futian, Shenzhen, China



1

2

3

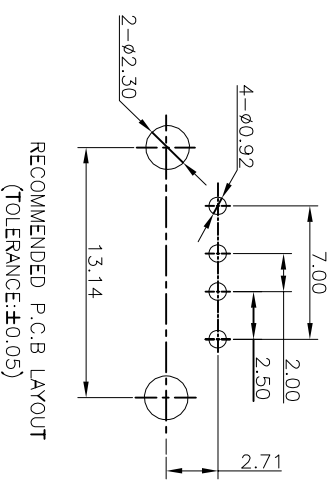
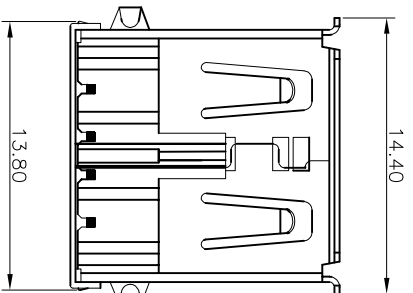
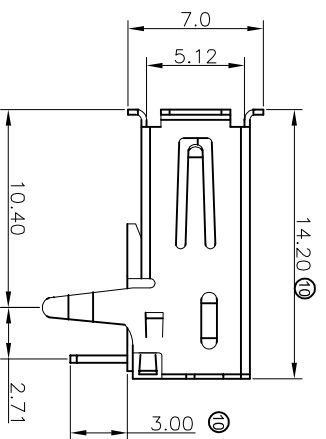
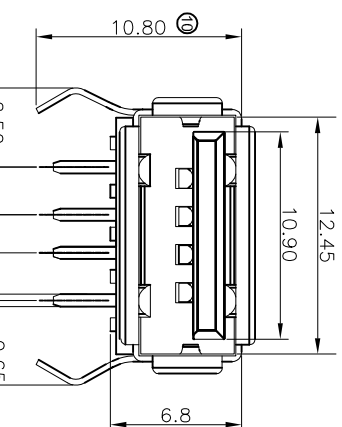
4

5

6

7

⑩ ⑨ USB 2.0 COMPLIANT



NOTES:

1. Material:
 - 1.1 Housing: PBT+30%GF UL94V-0, Color Black
 - 1.2 Shell: Brass
 - 1.3 Contact :Phosphor Bronze
2. FINISH:
 - 2.1 Contact Area: Gold Flash
 - Solder Area: Tin Plated
 - Under: Ni Plated
3. MECHANICAL:
 - 3.1 Mating Force: 3.57kgf Max.
 - 3.2 Unmating Force: 1.02kgf Min
 - 3.3 Durability: 1500 cycles Min
4. ELECTRICAL:
 - 4.1 Current Rating: 1.5A
- ⑩ ⑨ 4.2 Dielectric Strength: 1KV AC FOR 1 MINUTE
- 4.3 Contact Resistance: 30mΩ Max
- 4.4 Insulation Resistance: 1000 MΩ Min
5. Operating temperature: -55°C TO +85°C
6. PACKING: Tray

RoHS compliant

Unit: mm

Scale	Free	⑫	Update the dielectric Strength	21.01.2016	Winnie		Date	Name	Customer-No.
TOLERANCE		⑬	Update to "USB 2.0 COMPLIANT"	19.08.2013	Amy	Drawn	16.05.2007	Helwig	ASSMANN WSW-No. A-USBSA
X.X	±0.30	⑭	Update	07.06.2013	Winnie	Approved	21.01.2016	Winnie	
X.XX	±0.20	⑮	Add "USB 2.0"	18.02.2013	Amy				Drawing-No. ASS 1122C CO
X.XXX	±0.10	⑯	Plant change and tiny appearance diff.	02.05.2011	Lucas				
ANG.	±1°	⑰	Add the mating drawing	25.06.2011	Rale				Replace
Angle	TOL	⑱	Modification						Sheet



ASS 1122C CO rev12

1

2

3

4

5

6

7

SV130