



Chipsmall Limited consists of a professional team with an average of over 10 year of expertise in the distribution of electronic components. Based in Hongkong, we have already established firm and mutual-benefit business relationships with customers from,Europe,America and south Asia,supplying obsolete and hard-to-find components to meet their specific needs.

With the principle of “Quality Parts,Customers Priority,Honest Operation,and Considerate Service”,our business mainly focus on the distribution of electronic components. Line cards we deal with include Microchip,ALPS,ROHM,Xilinx,Pulse,ON,Everlight and Freescale. Main products comprise IC,Modules,Potentiometer,IC Socket,Relay,Connector.Our parts cover such applications as commercial,industrial, and automotives areas.

We are looking forward to setting up business relationship with you and hope to provide you with the best service and solution. Let us make a better world for our industry!



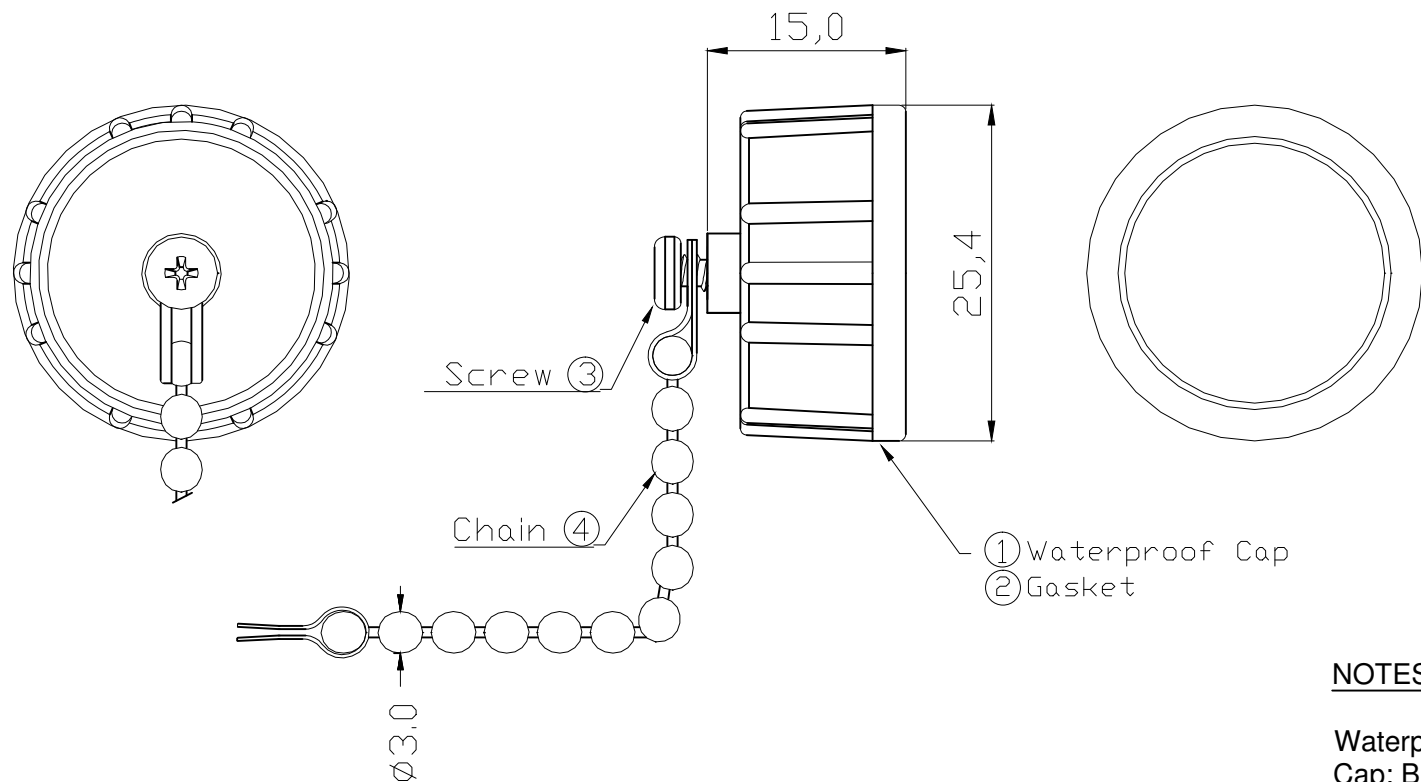
## Contact us

Tel: +86-755-8981 8866 Fax: +86-755-8427 6832

Email & Skype: info@chipsmall.com Web: www.chipsmall.com

Address: A1208, Overseas Decoration Building, #122 Zhenhua RD., Futian, Shenzhen, China





- ① Waterproof Cap
- ② Gasket

**NOTES:**

Waterproof Rate: IP67  
 Cap: Black, Nylon+30%GF  
 Gasket: Black, EPDM  
 ③ Thread :13/16"-28UN

**RoHS compliant**  
 Unit:mm

Scale	Free					Date	Name	Customer-No.
TOLERANCE						Drawn	12.01.2004	Hellwig
.X	±0.25					Approved	23.03.2016	Joanna
.XX	±0.1							
.XXX	±0.05	③	Add thread information	23.03.2016	Joanna			ASSMANN WSW-No. <b>A-WP-COVER2</b>
Angle	±1°	②	Modify drawing	06.07.2009	Dean	<b>ASSMANN</b> WSW components		Drawing-No. <b>ASS 1556 CO</b>
		①	Drawn	12.01.2004	Hellwig			rev03
		Id.	Modification	Date	Name	Replace	Sheet	

