



Chipsmall Limited consists of a professional team with an average of over 10 year of expertise in the distribution of electronic components. Based in Hongkong, we have already established firm and mutual-benefit business relationships with customers from,Europe,America and south Asia,supplying obsolete and hard-to-find components to meet their specific needs.

With the principle of “Quality Parts,Customers Priority,Honest Operation,and Considerate Service”,our business mainly focus on the distribution of electronic components. Line cards we deal with include Microchip,ALPS,ROHM,Xilinx,Pulse,ON,Everlight and Freescale. Main products comprise IC,Modules,Potentiometer,IC Socket,Relay,Connector.Our parts cover such applications as commercial,industrial, and automotives areas.

We are looking forward to setting up business relationship with you and hope to provide you with the best service and solution. Let us make a better world for our industry!



Contact us

Tel: +86-755-8981 8866 Fax: +86-755-8427 6832

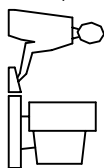
Email & Skype: info@chipsmall.com Web: www.chipsmall.com

Address: A1208, Overseas Decoration Building, #122 Zhenhua RD., Futian, Shenzhen, China

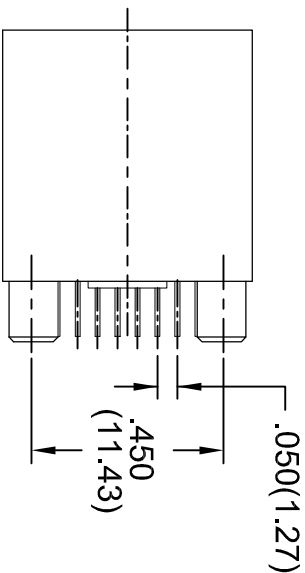
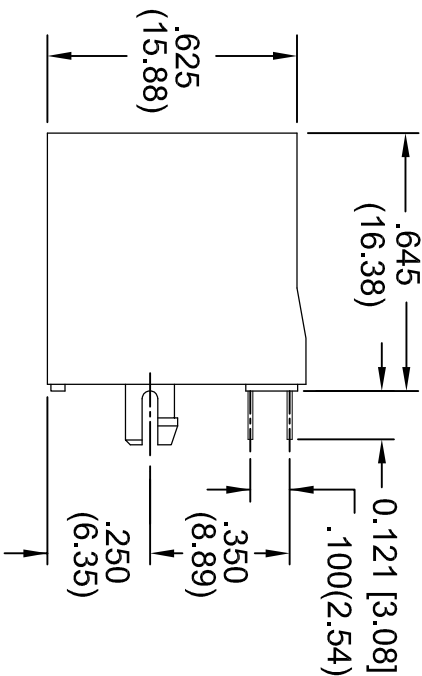
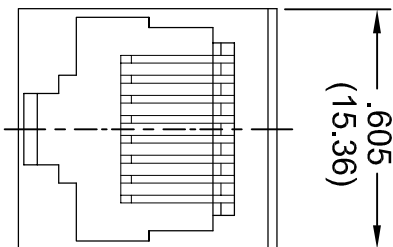
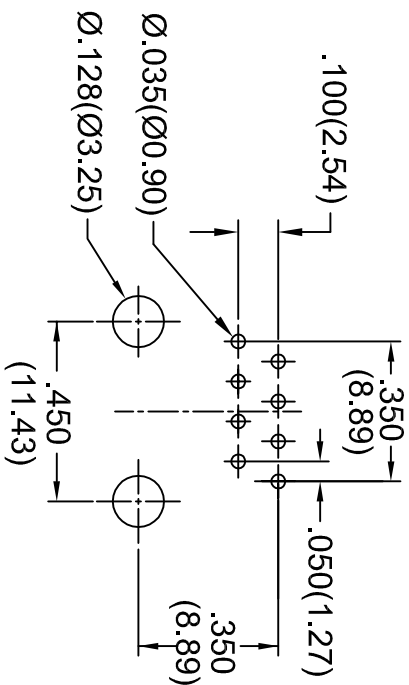


TOLERANCE UNLESS OTHERWISE SPECIFIED:
±.010 (0.25)

THIS IS A C.A.D. GENERATED DRAWING
DO NOT MAKE MANUAL REVISIONS TO MASTER.



ISSUE NUMBER
ADD TOLERANCE ± .010 (#0.25)
ADD PLATING SPECS
R.STA.MONICA MAY 26/2015
UPDATE SPECS
J.TAN NOV.3/2016



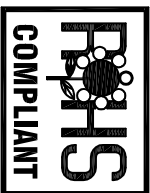
NOTES:
HOUSING: PA66, UL94V-0, COLOR: BLACK
CONTACTS:

PART NO.

MATERIAL & PLATING

A00-108-220-450 0.45MM PHOSPHOR BRONZE
GOLD FLASH PLATING ALL OVER NICKEL
UNDERPLATING

A00-108-620-450 0.35MM COPPER ALLOY
30µIN OF GOLD PLATING ON CONTACT AREA
WITH TIN PLATING ON SOLDER AREA ALL
OVER NICKEL UNDERPLATING



THIS SERIES FULLY CONFORMS TO THE
EUROPEAN UNION DIRECTIVES
2011/65/EU FOR ROHS COMPLIANCY.

**MODULAR JACK TOP ENTRY PCB
8 POSITIONS**

EDAC INC
TORONTO, ONTARIO
CANADA
YOUR CONNECTION TO QUALITY & SERVICE

THESE DRAWINGS AND SPECIFICATIONS
ARE THE PROPERTY OF EDAC INC. AND
SHALL NOT BE REPRODUCED OR COPIED
OR USED AS THE BASIS FOR THE
MANUFACTURE OR SALE OF APPARATUS
WITHOUT WRITTEN PERMISSION.

ACAD REFERENCE NO. A00-108-220-450

DRAWN: R.BLAKELY DATE: NOV. 13/06

CHECKED: DATE:

PART NUMBER SEE PART NO.

DRAWING NUMBER

A00-108-220-450

ISSUE

5