



Chipsmall Limited consists of a professional team with an average of over 10 year of expertise in the distribution of electronic components. Based in Hongkong, we have already established firm and mutual-benefit business relationships with customers from,Europe,America and south Asia,supplying obsolete and hard-to-find components to meet their specific needs.

With the principle of “Quality Parts,Customers Priority,Honest Operation,and Considerate Service”,our business mainly focus on the distribution of electronic components. Line cards we deal with include Microchip,ALPS,ROHM,Xilinx,Pulse,ON,Everlight and Freescale. Main products comprise IC,Modules,Potentiometer,IC Socket,Relay,Connector.Our parts cover such applications as commercial,industrial, and automotives areas.

We are looking forward to setting up business relationship with you and hope to provide you with the best service and solution. Let us make a better world for our industry!



Contact us

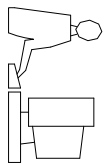
Tel: +86-755-8981 8866 Fax: +86-755-8427 6832

Email & Skype: info@chipsmall.com Web: www.chipsmall.com

Address: A1208, Overseas Decoration Building, #122 Zhenhua RD., Futian, Shenzhen, China

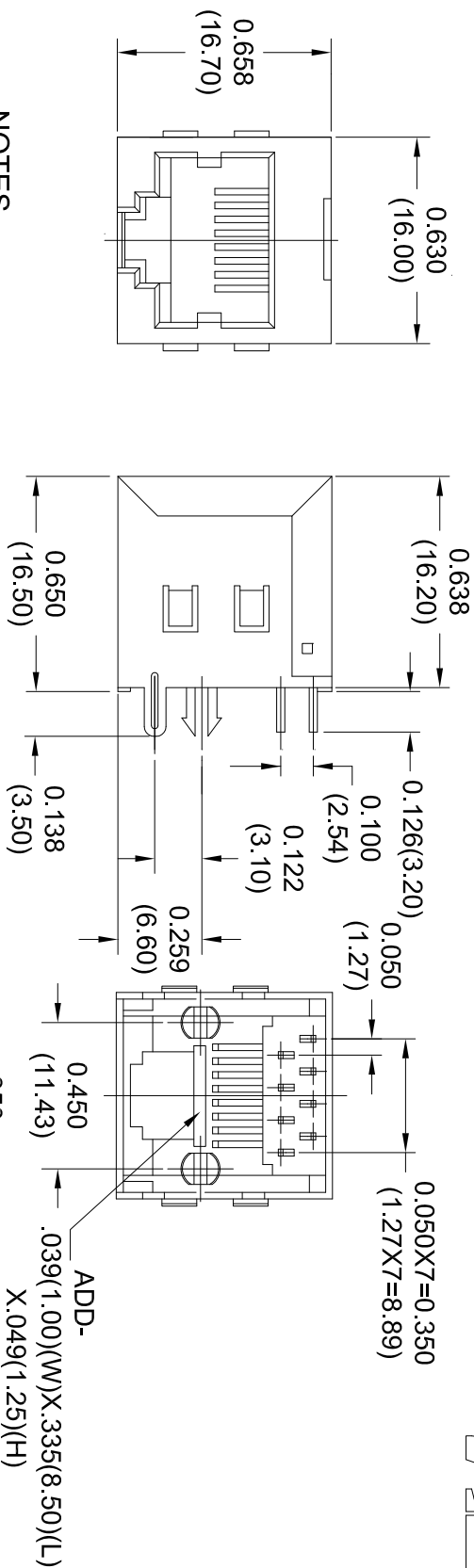


THIS IS A C.A.D. GENERATED DRAWING
DO NOT MAKE MANUAL REVISIONS TO MASTER.



ISSUE NUMBER
ORIGINAL

1

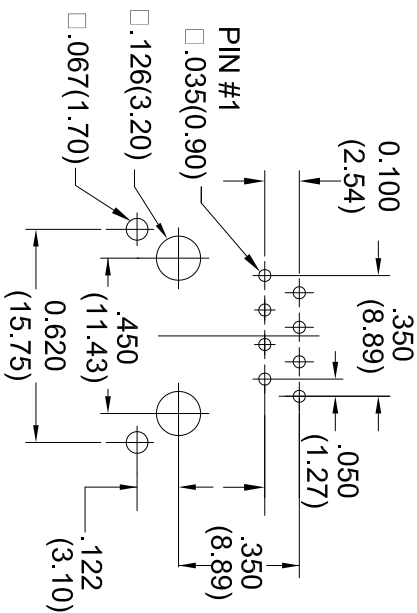


ADD-.039(1.00)(W)X.335(8.50)(L)
X.049(1.25)(H)

NOTES

MATERIAL AND FINISH:

BODY: HOUSING: PBT POLYESTER
UL94V-0 RATED, MIXED GLASS FIBER.
STANDARD COLOR: BLACK
CONTACTS: PHOSPHOR BRONZE
 $t \pm (0.35\text{mm})$
FINISH: GOLD PLATING
SHIELD: 0.25mm THICK COPPER ALLOY
NICKEL PLATED
CAVITY CONFORMS TO FCC RULES & REGULATIONS PART 68, SUBPART F



THIS SERIES FULLY CONFORMS TO THE EUROPEAN UNION DIRECTIVES 2002/95/EC AND 2002/96/EC FOR RoHS COMPLIANCY.

- A00-108-222-450 GOLD FLASH
- A00-108-322-450 15 MICRONS OF GOLD
- A00-108-622-450 30 MICRONS OF GOLD
- A00-108-922-450 50 MICRONS OF GOLD

EDAC INC. TORONTO, ONTARIO CANADA		TOLERANCE UNLESS NOTED .00 mm ± 0.15 .000 inch ± .006		ARE THE PROPERTY OF EDAC INC. AND SHALL NOT BE REPRODUCED OR COPIED OR USED AS THE BASIS FOR THE MANUFACTURE OR SALE OF APPARATUS WITHOUT WRITTEN PERMISSION.	
TOP ENTRY P.C.B MODULAR JACK		SHIELDED RJ45		ACAD REF. DWG.: A00-108-222-450	
YOUR CONNECTION TO QUALITY & SERVICE		DRAWN: F.JAWDI		DATE: FEB. 11/03	
SCALE: 1:1		CHECKED:		DATE:	
DRAWING NUMBER A00-108-222-450		SHEET 1 OF 1		ISSUE 3	