



Chipsmall Limited consists of a professional team with an average of over 10 year of expertise in the distribution of electronic components. Based in Hongkong, we have already established firm and mutual-benefit business relationships with customers from,Europe,America and south Asia,supplying obsolete and hard-to-find components to meet their specific needs.

With the principle of “Quality Parts,Customers Priority,Honest Operation,and Considerate Service”,our business mainly focus on the distribution of electronic components. Line cards we deal with include Microchip,ALPS,ROHM,Xilinx,Pulse,ON,Everlight and Freescale. Main products comprise IC,Modules,Potentiometer,IC Socket,Relay,Connector.Our parts cover such applications as commercial,industrial, and automotives areas.

We are looking forward to setting up business relationship with you and hope to provide you with the best service and solution. Let us make a better world for our industry!



Contact us

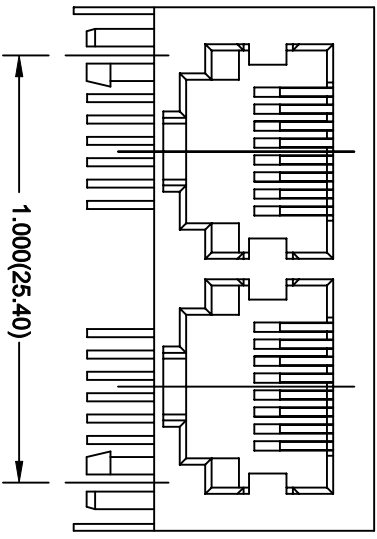
Tel: +86-755-8981 8866 Fax: +86-755-8427 6832

Email & Skype: info@chipsmall.com Web: www.chipsmall.com

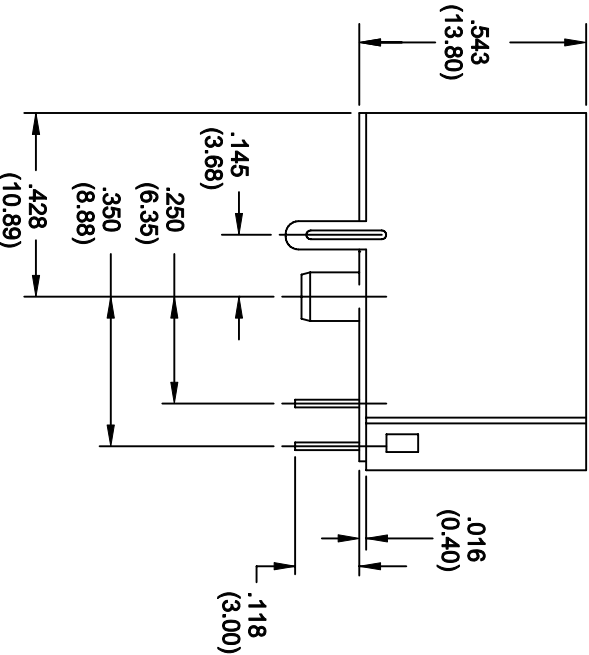
Address: A1208, Overseas Decoration Building, #122 Zhenhua RD., Futian, Shenzhen, China



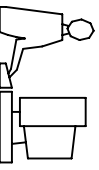
1.225(31.12)



.837
(21.27)



THIS IS A C.A.D. GENERATED DRAWING
DO NOT MAKE MANUAL REVISIONS TO MASTER.



ISSUE NUMBER

ORIGINAL ①

.067 DIA HOLE WAS .032

F.BRIONES JUL. 27/06 ③

CONTACT IDENTIFICATION ADDED
F.BRIONES FEB. 19/07 ④

NOTES

MATERIAL AND FINISH:

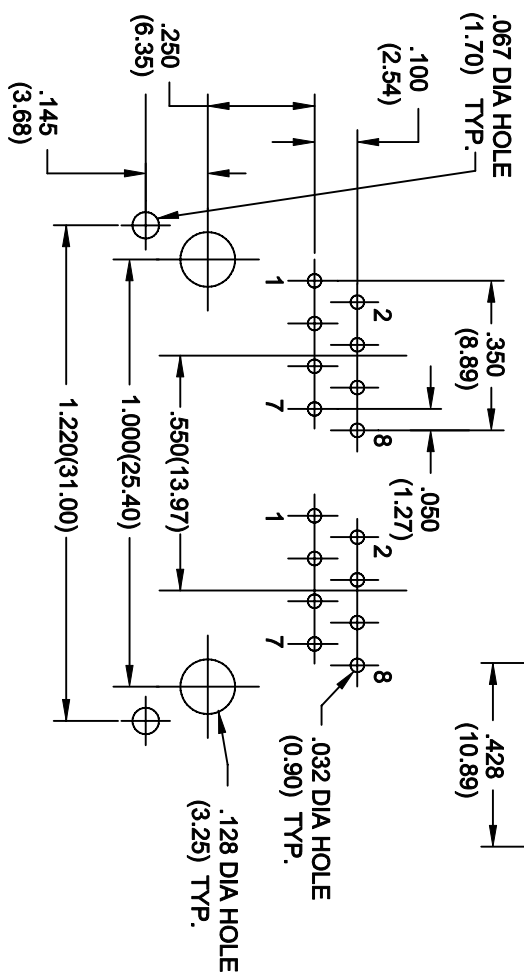
BODY: HOUSING: PBT POLYESTER
UL94V-0 RATED, MIXED GLASS FIBER.
STANDARD COLOR: BLACK

CONTACTS: PHOSPHOR BRONZE(0.45mm DIA.)
PLATED AS PER PART NO. TABLE

SHIELD: 0.23mm THICK COPPER ALLOY
PLATED NICKEL

CAVITY CONFORMS TO FCC RULES AND
REGULATIONS PART 68, SUBPART F

- AOO-216-262-450 GOLD FLASH
- AOO-216-362-450 15 MICRONS OF GOLD
- AOO-216-662-450 30 MICRONS OF GOLD
- AOO-216-962-450 50 MICRONS OF GOLD



PC BOARD LAYOUT

DUAL 8P FULL SHIELDED JACK (GROUND AT FRONT)

ACAD REF. DRAWING: A00-216-262-450

DRAWN: F.BRIONES DATE: SEP.17/01

CHECKED: DATE:

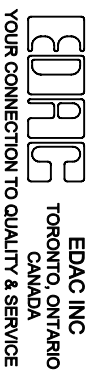
SCALE: 1:1 SHEET 1 OF 1

DRAWING NUMBER A00-216-262-450

ISSUE 4



THIS SERIES FULLY CONFORMS TO THE
EUROPEAN UNION DIRECTIVES 2002/95/EC
AND 2002/96/EC FOR ROHS COMPLIANCY.



EDAC INC
TORONTO, ONTARIO
CANADA
YOUR CONNECTION TO QUALITY & SERVICE

THESE DRAWINGS AND SPECIFICATIONS
ARE THE PROPERTY OF EDAC INC. AND
SHALL NOT BE REPRODUCED, OR COPIED
OR USED AS THE BASIS FOR THE
MANUFACTURE OR SALE OF APPARATUS
WITHOUT WRITTEN PERMISSION.