



Chipsmall Limited consists of a professional team with an average of over 10 year of expertise in the distribution of electronic components. Based in Hongkong, we have already established firm and mutual-benefit business relationships with customers from,Europe,America and south Asia,supplying obsolete and hard-to-find components to meet their specific needs.

With the principle of “Quality Parts,Customers Priority,Honest Operation,and Considerate Service”,our business mainly focus on the distribution of electronic components. Line cards we deal with include Microchip,ALPS,ROHM,Xilinx,Pulse,ON,Everlight and Freescale. Main products comprise IC,Modules,Potentiometer,IC Socket,Relay,Connector.Our parts cover such applications as commercial,industrial, and automotives areas.

We are looking forward to setting up business relationship with you and hope to provide you with the best service and solution. Let us make a better world for our industry!



Contact us

Tel: +86-755-8981 8866 Fax: +86-755-8427 6832

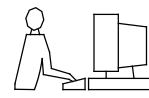
Email & Skype: info@chipsmall.com Web: www.chipsmall.com

Address: A1208, Overseas Decoration Building, #122 Zhenhua RD., Futian, Shenzhen, China

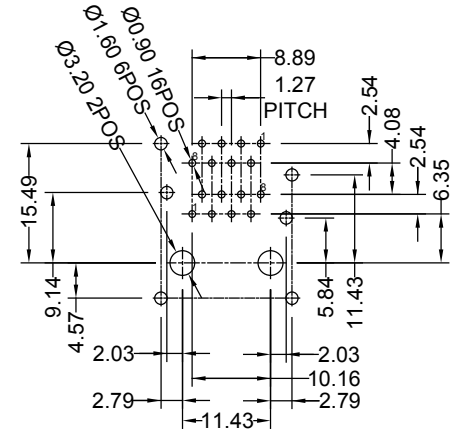
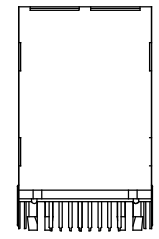
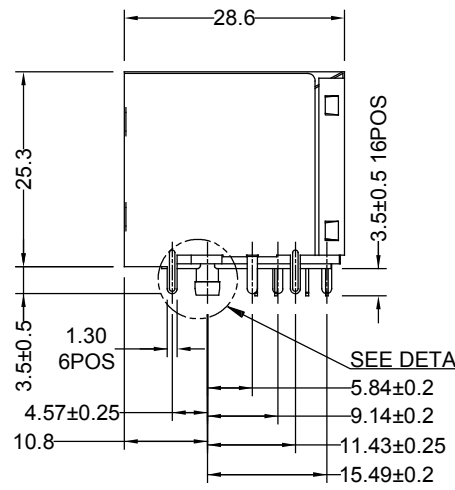
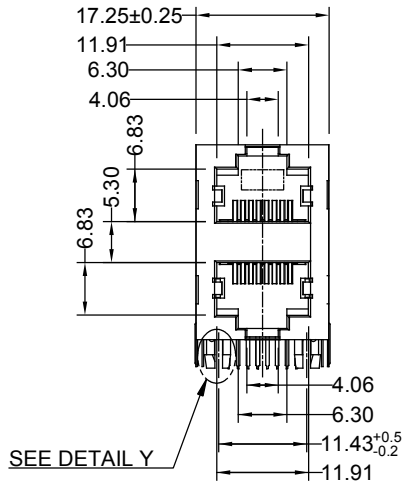
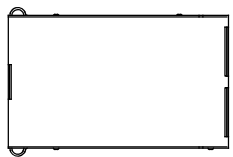


TOLERANCE UNLESS OTHERWISE SPECIFIED	
.X	±0.25
.XX	±0.13
.XXX	±0.05

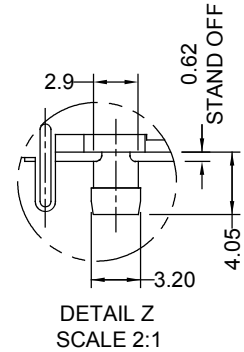
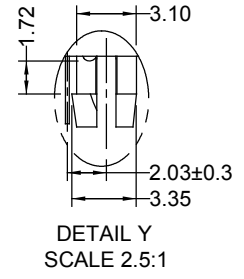
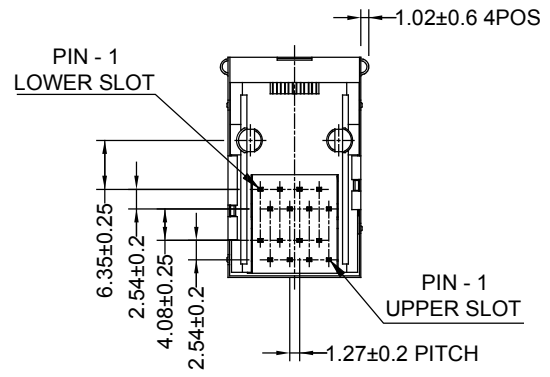
THIS IS A C.A.D. GENERATED DRAWING
DO NOT MAKE MANUAL REVISIONS TO MASTER.



ISSUE NUMBER	(1)
ORIGINAL	(1)
METRIC UPDATE	(4)
C.B FEB. 23/2017	



RECOMMENDED P.C.B LAYOUT
RECOMMENDED P.C.B THICKNESS: 1.6mm
TOLERANCE: ±0.05mm



NOTES:
MATERIALS:
CONTACT: PHOSPHOR BRONZE, GOLD FLASH ON CONTACT AND SOLDER AREA, ALL OVER 50µ" NICKEL UNDER-PLATING
HOUSING: PBT +GF, BLACK COLOUR, UL94V-0
SHELL: BRASS, NICKEL PLATING



THIS SERIES FULLY CONFORMS TO THE EUROPEAN UNION DIRECTIVES 2011/65/EU FOR RoHS COMPLIANCY.

2X8P FULL SHIELDED JACKS		ACAD REFERENCE NO.: A00-216-272-450	
		DRAWN: F.BRIONES	DATE: AUG. 12/2004
EDAC YOUR CONNECTION TO QUALITY & SERVICE		CHECKED:	DATE:
		SCALE: (IN C.A.D. 1:1)	SHEET 1 OF 1
EDAC INC TORONTO, ONTARIO CANADA THESE DRAWINGS AND SPECIFICATIONS ARE THE PROPERTY OF EDAC INC., AND SHALL NOT BE REPRODUCED, OR COPIED OR USED AS THE BASIS FOR THE MANUFACTURE OR SALE OF APPARATUS WITHOUT WRITTEN PERMISSION.		DRAWING NUMBER: A00-216-272-450	ISSUE 4
		PART NUMBER: A00-216-272-450	