



Chipsmall Limited consists of a professional team with an average of over 10 year of expertise in the distribution of electronic components. Based in Hongkong, we have already established firm and mutual-benefit business relationships with customers from,Europe,America and south Asia,supplying obsolete and hard-to-find components to meet their specific needs.

With the principle of “Quality Parts,Customers Priority,Honest Operation,and Considerate Service”,our business mainly focus on the distribution of electronic components. Line cards we deal with include Microchip,ALPS,ROHM,Xilinx,Pulse,ON,Everlight and Freescale. Main products comprise IC,Modules,Potentiometer,IC Socket,Relay,Connector.Our parts cover such applications as commercial,industrial, and automotives areas.

We are looking forward to setting up business relationship with you and hope to provide you with the best service and solution. Let us make a better world for our industry!



Contact us

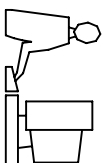
Tel: +86-755-8981 8866 Fax: +86-755-8427 6832

Email & Skype: info@chipsmall.com Web: www.chipsmall.com

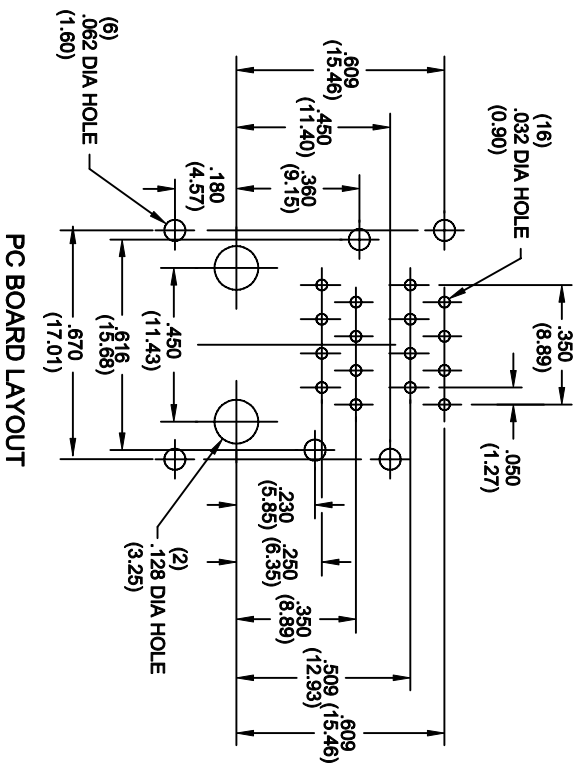
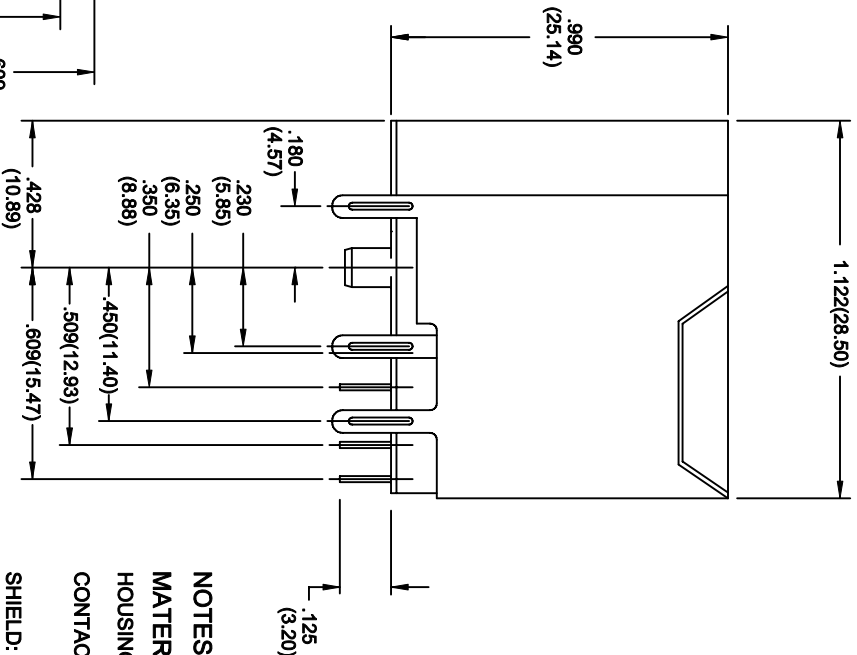
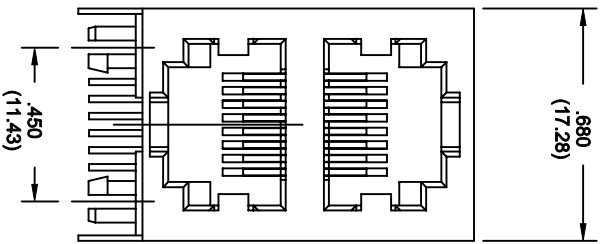
Address: A1208, Overseas Decoration Building, #122 Zhenhua RD., Futian, Shenzhen, China



THIS IS A C.A.D. GENERATED DRAWING
DO NOT MAKE MANUAL REVISIONS TO MASTER.



ISSUE NUMBER	1
ORIGINAL	1
CONTACT PLATING WAS GOLD ON CONTACT AREA TIN ON TAILS	2
F.BRIONES DEC.04/09	2



NOTES

MATERIAL AND FINISH:

HOUSING: PBT POLYESTER, UL94V-0, GLASS FIBER, COLOR BLACK

CONTACTS: PHOSPHOR BRONZE, GOLD PLATED ON CONTACT AREA

AND GOLD FLASH ON TAILS OVER NICKEL

SHIELD: BRASS, NICKEL PLATED

- AOO-216-272-450 GOLD FLASH
- AOO-216-372-450 15 MICRONS OF GOLD
- AOO-216-672-450 30 MICRONS OF GOLD
- AOO-216-972-450 50 MICRONS OF GOLD



THIS SERIES FULLY CONFORMS TO THE
EUROPEAN UNION DIRECTIVES 2002/95/EC
AND 2002/96/EC FOR ROHS COMPLIANCY.

2X8P FULL SHIELDED JACKS



EDAC INC
TORONTO, ONTARIO
CANADA

THESE DRAWINGS AND SPECIFICATIONS
ARE THE PROPERTY OF EDAC INC, AND
SHALL NOT BE REPRODUCED, OR COPIED
OR USED AS THE BASIS FOR THE
MANUFACTURE OR SALE OF APPARATUS
WITHOUT WRITTEN PERMISSION.

ACAD REF. DRAWING:	A00-216-272-450
DRAWN: F.BRIONES	DATE: AUG. 12/04
DRAWING NUMBER	SEE ABOVE
DRAWING NUMBER	A00-216-272-450
ISSUE	2