



Chipsmall Limited consists of a professional team with an average of over 10 year of expertise in the distribution of electronic components. Based in Hongkong, we have already established firm and mutual-benefit business relationships with customers from,Europe,America and south Asia,supplying obsolete and hard-to-find components to meet their specific needs.

With the principle of “Quality Parts,Customers Priority,Honest Operation,and Considerate Service”,our business mainly focus on the distribution of electronic components. Line cards we deal with include Microchip,ALPS,ROHM,Xilinx,Pulse,ON,Everlight and Freescale. Main products comprise IC,Modules,Potentiometer,IC Socket,Relay,Connector.Our parts cover such applications as commercial,industrial, and automotives areas.

We are looking forward to setting up business relationship with you and hope to provide you with the best service and solution. Let us make a better world for our industry!



Contact us

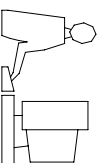
Tel: +86-755-8981 8866 Fax: +86-755-8427 6832

Email & Skype: info@chipsmall.com Web: www.chipsmall.com

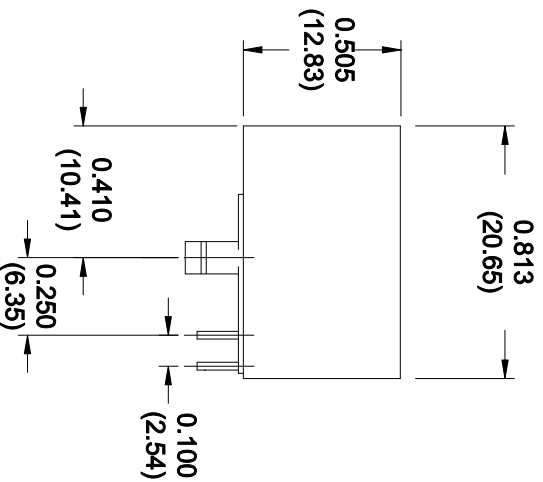
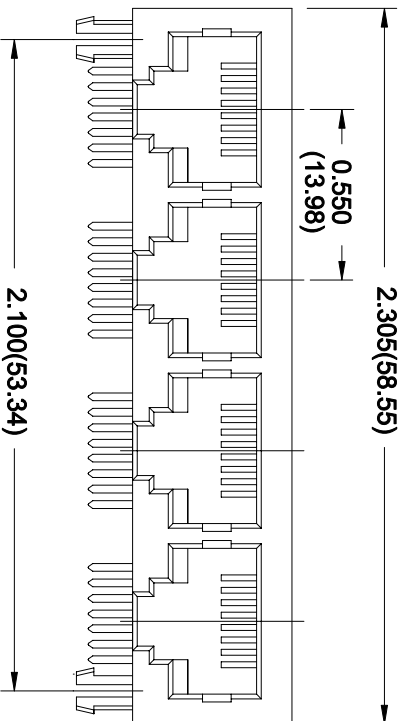
Address: A1208, Overseas Decoration Building, #122 Zhenhua RD., Futian, Shenzhen, China



THIS IS A CAD GENERATED DRAWING
DO NOT MAKE MANUAL REVISIONS TO MASTER



ISSUE NUMBER
ORIGINAL
1
HOUSING MATERIAL WAS PBT POLYESTER
F. BRIONES JULY 8/05
3
DIM.:250 WAS .311
F. BRIONES MAY12/08
4



NOTES

MATERIAL AND FINISH:

BODY: HOUSING: NYLON 66, COLOR BLACK

CONTACTS: PHOSPHOR BRONZE(0.45mm DIA.)
GOLD PLATED ON CONTACT AREA, TIN ON TAILS

CAVITY CONFORMS TO FCC RULES AND REGULATIONS PART 68, SUBPART F

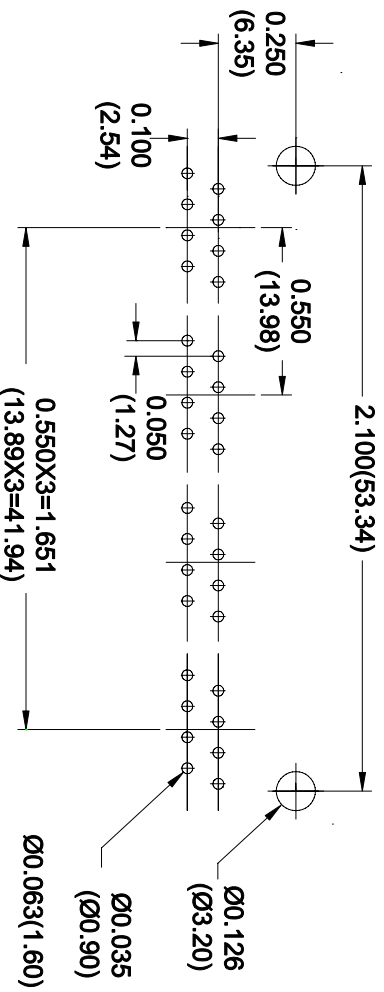
AOO-432-260-450 GOLD FLASH

AOO-432-360-450 15 MICRONS OF GOLD

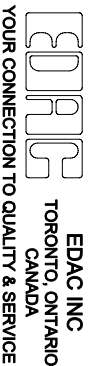
AOO-432-660-450 30 MICRONS OF GOLD

AOO-432-960-450 50 MICRONS OF GOLD

**PC BOARD LAYOUT
COMPONENT SIDE SHOWN**



4 PORTS, 8 POSITIONS R/ANGLE PCB JACK



THESE DRAWINGS AND SPECIFICATIONS ARE THE PROPERTY OF EDAC INC. AND SHALL NOT BE REPRODUCED, OR COPIED OR USED AS THE BASIS FOR THE MANUFACTURE OR SALE OF APPARATUS WITHOUT WRITTEN PERMISSION.

ACAD REF. DRAWING: AOO-432-260-450

DRAWN: F. BRIONES DATE: MAR. 12/03

PART NUMBER

AOO-432-260-450

DRAWING NUMBER

AOO-432-260-450

ISSUE
4