



Chipsmall Limited consists of a professional team with an average of over 10 year of expertise in the distribution of electronic components. Based in Hongkong, we have already established firm and mutual-benefit business relationships with customers from,Europe,America and south Asia,supplying obsolete and hard-to-find components to meet their specific needs.

With the principle of “Quality Parts,Customers Priority,Honest Operation,and Considerate Service”,our business mainly focus on the distribution of electronic components. Line cards we deal with include Microchip,ALPS,ROHM,Xilinx,Pulse,ON,Everlight and Freescale. Main products comprise IC,Modules,Potentiometer,IC Socket,Relay,Connector.Our parts cover such applications as commercial,industrial, and automotives areas.

We are looking forward to setting up business relationship with you and hope to provide you with the best service and solution. Let us make a better world for our industry!



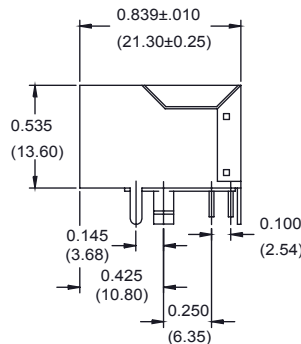
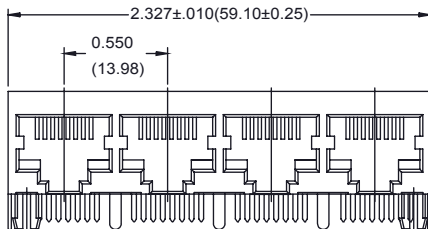
Contact us

Tel: +86-755-8981 8866 Fax: +86-755-8427 6832

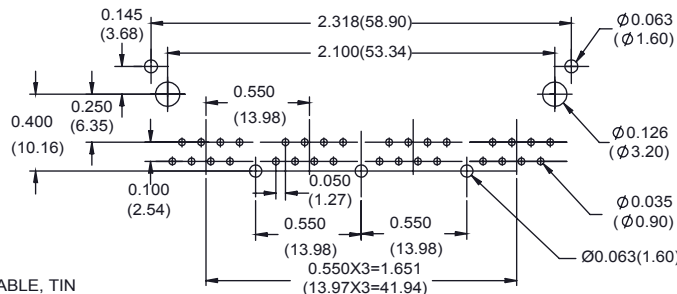
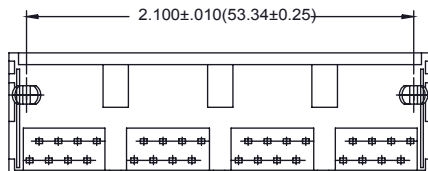
Email & Skype: info@chipsmall.com Web: www.chipsmall.com

Address: A1208, Overseas Decoration Building, #122 Zhenhua RD., Futian, Shenzhen, China





A00-432-262-450 GOLD FLASH
A00-432-362-450 15 MICROINCHES OF GOLD
A00-432-662-450 30 MICROINCHES OF GOLD
A00-432-962-450 50 MICROINCHES OF GOLD



PC BOARD LAYOUT
COMPONENT SIDE SHOWN

NOTES

MATERIAL AND FINISH:

BODY: GLASS FILLED POLYESTER,
UL94V-0 RATED
CONTACTS: PHOSPHOR BRONZE(0.45mm DIA.)
SELECTIVE GOLD ON CONTACTS AS PER PART NO. TABLE, TIN
ON TERMINATION, ALL OVERNICKEL UNDERPLATE.
SHIELD: 0.25mm THICK COPPER ALLOY
PLATED WITH NICKEL

ELECTRICAL CHARACTERISTICS:

- CONTACT RESISTANCE: 30 MILLIOHMS MAX.
- INSULATION RESISTANCE 500 MEGOHMS MIN.
- WITHSTANDING VOLTAGE : 500 VAC 1 MINUTE
- CURRENT RATING: 1.5 AMP



THIS SERIES FULLY CONFORMS TO THE
EUROPEAN UNION DIRECTIVES 2002/95/EC
AND 2002/96/EC FOR RoHS COMPLIANCY.

4 PORTS, 8 POSITIONS
SHIELDED PCB JACK (GROUND AT FRONT)

ACAD REF. DWG.: A00-432-262-450

DRAWN:F.BRIONES

DATE: SEPT.16/02

CHECKED:

DATE:

SCALE: N.T.S

SHEET 1 OF 1

DRAWING NUMBER

A00-432-262-450

ISSUE

2



EDAC INC.
TORONTO, ONTARIO
CANADA

YOUR CONNECTION TO QUALITY & SERVICE

TOLERANCE UNLESS NOTED:

.00 ± 0.01
.000 ± .006
.0000 ± .003

ARE THE PROPERTY OF EDAC INC. AND
SHALL NOT BE REPRODUCED OR COPIED
OR USED AS THE BASIS FOR THE
MANUFACTURE OR SALE OF APPARATUS
WITHOUT WRITTEN PERMISSION.