



Chipsmall Limited consists of a professional team with an average of over 10 year of expertise in the distribution of electronic components. Based in Hongkong, we have already established firm and mutual-benefit business relationships with customers from,Europe,America and south Asia,supplying obsolete and hard-to-find components to meet their specific needs.

With the principle of “Quality Parts,Customers Priority,Honest Operation,and Considerate Service”,our business mainly focus on the distribution of electronic components. Line cards we deal with include Microchip,ALPS,ROHM,Xilinx,Pulse,ON,Everlight and Freescale. Main products comprise IC,Modules,Potentiometer,IC Socket,Relay,Connector.Our parts cover such applications as commercial,industrial, and automotives areas.

We are looking forward to setting up business relationship with you and hope to provide you with the best service and solution. Let us make a better world for our industry!



Contact us

Tel: +86-755-8981 8866 Fax: +86-755-8427 6832

Email & Skype: info@chipsmall.com Web: www.chipsmall.com

Address: A1208, Overseas Decoration Building, #122 Zhenhua RD., Futian, Shenzhen, China



A01 series

Pushbutton switches & indicators

Distinctive features and specifications

A01_AX1607USR1



- ❑ Panel Sealed to IP65
- ❑ Single pole to four pole changeover
- ❑ Custom engraving or film legends options
- ❑ Push on tab terminals
- ❑ 6A 250VAC

ELECTRICAL SPECIFICATIONS

- **Current/Voltage Rating** : 10mA 5VAC min, 6A 250VAC, 6Amp 12VDC
- **Initial Contact Resistance** : 10mΩ max at 1A 4VDC
- **Insulation Resistance** : 50MΩ min
- **Dielectric Strength** : 750V between open contacts, 5KV live to accessible
- **Electrical Life** : 50,000 cycles min
- **Contact Gap** : >1mm (0.039)
- **Insulation** : Class 2
- **Lamp Life** : LED, 60,000 hours to 75% relative luminosity filament, approx. 5000 hours neon, approx. 10,000 hours

MECHANICAL SPECIFICATIONS

- **Mechanical Life** : (operator) Momentary, 1 million cycles, maintained 100,000 cycles
- **Lamp** : Midget grove T1 ¾ filament, neon or LED
- **Terminals** : Solder/quick connect 2.8mm (0.110)

GENERAL SPECIFICATIONS

- **Operating Temperature** : -20°C to +55°C
- **Solder Heat Resistance** : 350°C for 5 seconds
- **Sealing** : Panel sealed to IP65, rear of panel IP40

AGENCY APPROVALS

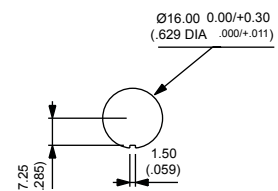


MATERIALS

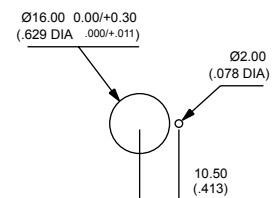
- **Screens** : PC
- **Reflector Assembly** : PC
- **Operator** : PBT
- **Nut** : ABS
- **Camtrack Momentary** : PPE
- **Camtrack Maintained** : PPSU
- **Switch Block 1 & 2 Pole** : PBT
- **Switch Block 3 & 4 Pole** : PEI
- **Contacts** : Gold plated silver

PANEL CUT OUT

Round & Square bezel operators only

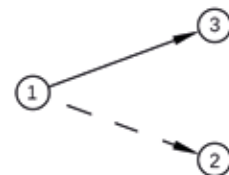


Rectangular bezel operators only



Max panel thickness 8mm (0.314)

CIRCUIT



Dimensions : first dimensions are in mm while inches are shown in brackets. Refer to the following pages for further information.



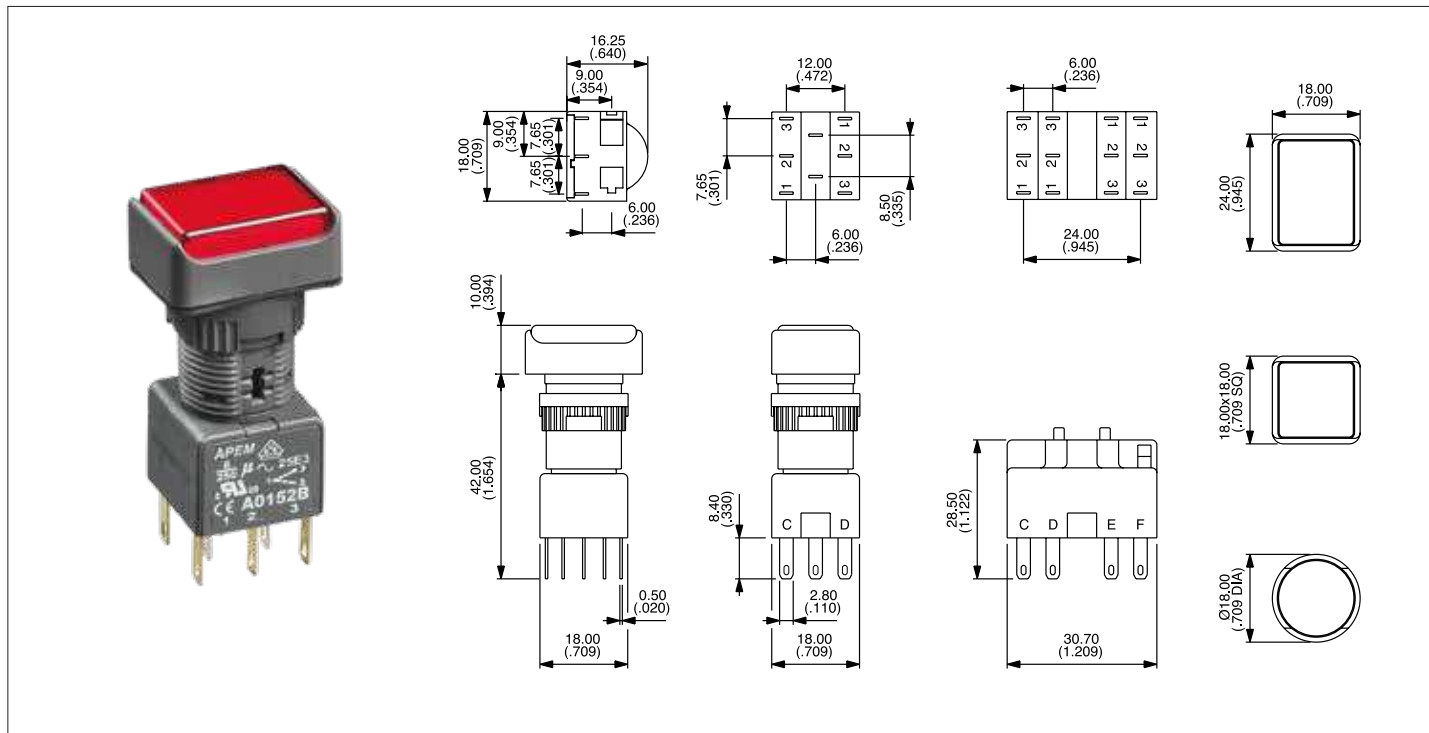
Mounting accessories : standard hardware 1 nut and 1 sealing washer.

A01 series

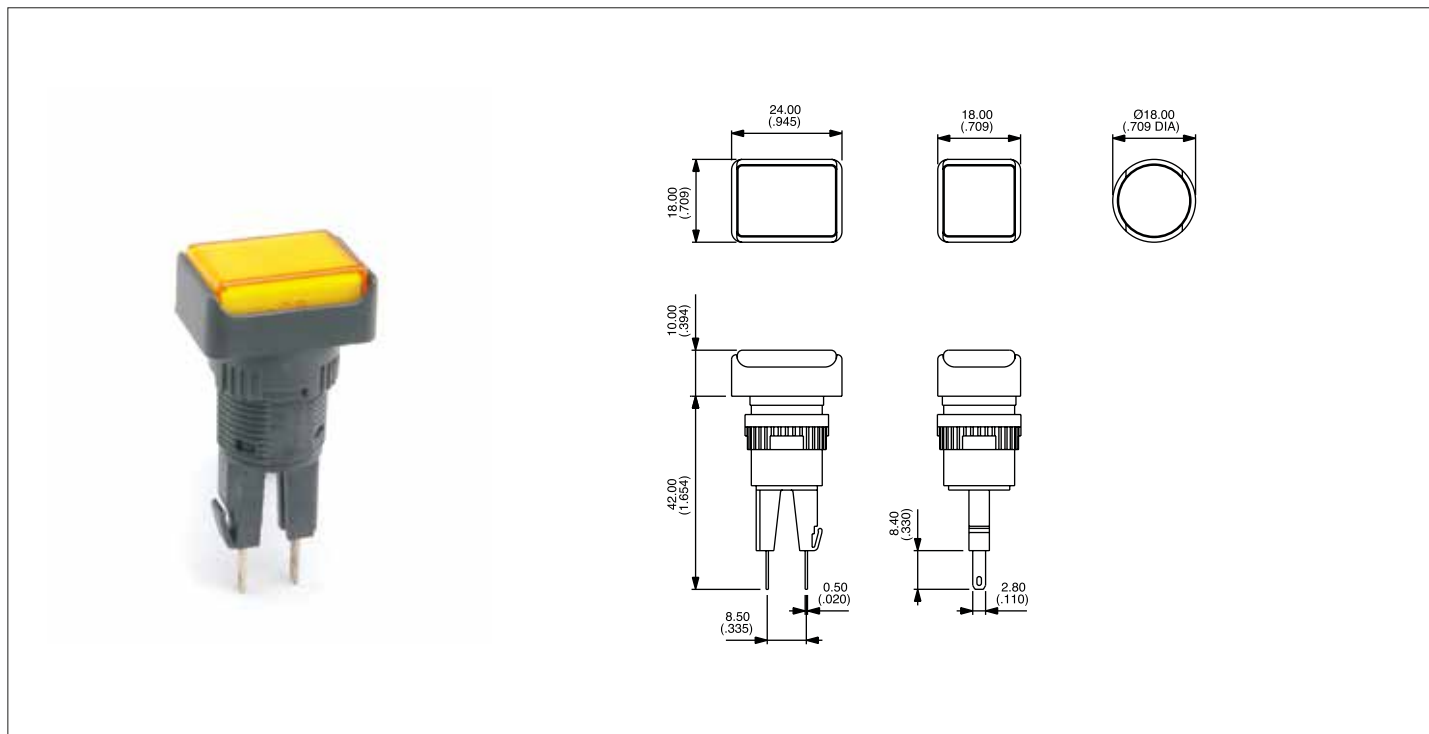
Pushbutton switches & indicators

Panel cut-out $\varnothing 16$ (0.755)

Pushbutton



Indicator



A01 series

Pushbutton switches & indicators

Overview

Pushbutton

Screen			+	Lamp <small>(if required)</small>			+	Operator		+	Switch block	
Bezel	Colour	Part No	Lamp	Voltage	Part No	Pole	Bezel	Description	Part No	No of poles	Part No	
	black	A0161A	Filament	6.3V	A0141A	1 or 2		llum, momentary	A0101Y	Single pole	A0151B	
	red	A0161B	Filament	14V	A0141B	1 or 2		llum, maintained	A0101X	Double pole	A0152B	
	amber	A0161C	Filament	28V	A0141C	1 or 2		Non-illum, momentary	A0102Y	Three pole	A0155B	
	yellow	A0161D	Filament	36V	A0141D	1 or 2		Non-illum, maintained	A0102X	Four pole	A0153B	
	green	A0161E	Filament	48V	A0141E	3 or 4		llum, momentary	A0103Y			
	blue	A0161F	Filament	60V	A0141F	3 or 4		llum, maintained	A0103X			
	clear	A0161G	Neon	110V	A0143G	3 or 4		Non-illum, momentary	A0104Y			
	white	A0161J	Neon	220V	A0143H	3 or 4		Non-illum, maintained	A0104X			
	black	A0162A	LED	6V red	A0142L1	1 or 2		llum, momentary	A0105Y			
	red	A0162B	LED	6V green	A0142L2	1 or 2		llum, maintained	A0105X			
	amber	A0162C	LED	6V amber	A0142L3	1 or 2		Non-illum, momentary	A0106Y			
	yellow	A0162D	LED	12V red	A0142M1	1 or 2		Non-illum, maintained	A0106X			
	green	A0162E	LED	12V green	A0142M2	3 or 4		llum, momentary	A0107Y			
	blue	A0162F	LED	12V amber	A0142M3	3 or 4		llum, maintained	A0107X			
	clear	A0162G	LED	12V blue	A0142M4	3 or 4		Non-illum, momentary	A0108Y			
	white	A0162J	LED	12V white	A0142M5	3 or 4		Non-illum, maintained	A0108X			
	black	A0163A	LED	24V red	A0142N1	1 or 2		llum, momentary	A0109Y			
	red	A0163B	LED	24V green	A0142N2	1 or 2		llum, maintained	A0109X			
	amber	A0163C	LED	24V amber	A0142N3	1 or 2		Non-illum, momentary	A0110Y			
	yellow	A0163D	LED	24V blue	A0142N4	1 or 2		Non-illum, maintained	A0110X			
	green	A0163E	LED	24V white	A0142N5	3 or 4		llum, momentary	A0111Y			
	blue	A0163F	LED	48V red	A0142P1	3 or 4		llum, maintained	A0111X			
	clear	A0163G	LED	48V green	A0142P2	3 or 4		Non-illum, momentary	A0112Y			
	white	A0163J	LED	48V amber	A0142P3	3 or 4		Non-illum, maintained	A0112X			

Bezel: rectangular square round. 'llum' - illuminated, 'Non-illum' - non illuminated

Indicator

Screen			+	Lamp			+	Operator	
Bezel	Colour	Part No	Lamp	Voltage	Part No	Bezel	Description	Part No	
	black	A0161A	Filament	6.3V	A0141A		Indicator	A0171	
	red	A0161B	Filament	14V	A0141B		Indicator	A0172	
	amber	A0161C	Filament	28V	A0141C		Indicator	A0173	
	yellow	A0161D	Filament	36V	A0141D				
	green	A0161E	Filament	48V	A0141E				
	blue	A0161F	Filament	60V	A0141F				
	clear	A0161G	Neon	110V	A0143G				
	white	A0161J	Neon	220V	A0143H				
	black	A0162A	LED	6V red	A0142L1				
	red	A0162B	LED	6V green	A0142L2				
	amber	A0162C	LED	6V amber	A0142L3				
	yellow	A0162D	LED	12V red	A0142M1				
	green	A0162E	LED	12V green	A0142M2				
	blue	A0162F	LED	12V amber	A0142M3				
	clear	A0162G	LED	12V blue	A0142M4				
	white	A0162J	LED	12V white	A0142M5				
	black	A0163A	LED	24V red	A0142N1				
	red	A0163B	LED	24V green	A0142N2				
	amber	A0163C	LED	24V amber	A0142N3				
	yellow	A0163D	LED	24V blue	A0142N4				
	green	A0163E	LED	24V white	A0142N5				
	blue	A0163F	LED	48V red	A0142P1				
	clear	A0163G	LED	48V green	A0142P2				
	white	A0163J	LED	48V amber	A0142P3				

Bezel: rectangular square round.



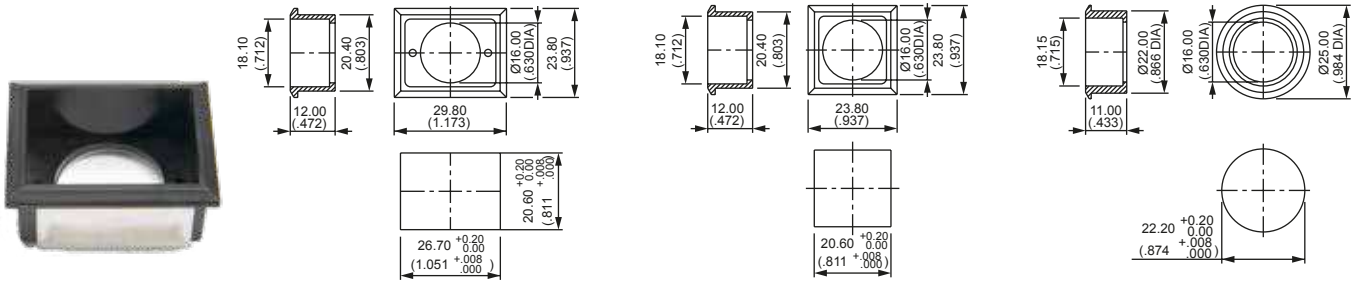
Unsealed switches & indicators (IP40) suffix 01 to the end of the part number.
Screen engraving insertable legends, & bi-color LED's please contact APEM

A01 series Pushbutton switches & indicators

Accessories

Flush mount bezels

Dark grey plastic material – supplied with sealing washer

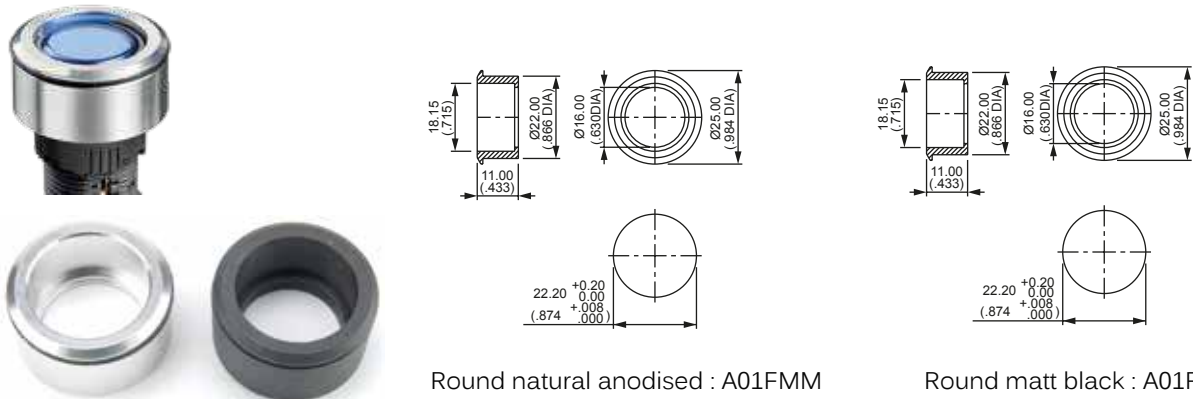


Rectangular : A01FM1

Square : A01FM

Round : A01FM2

Anodised aluminium/matt black



Round natural anodised : A01FMM

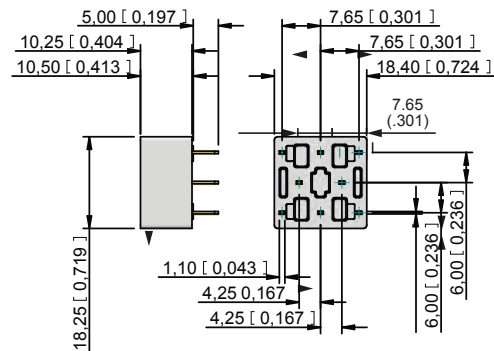
Round matt black : A01FMMG

PCB Sockets

Number of Poles

Part No.

Single pole, non illuminated :	A01PC1
Double pole, non illuminated :	A01PC2
Single pole, illuminated :	A01PC3
Double pole, illuminated :	A01PC4
Indicator :	A01PC5



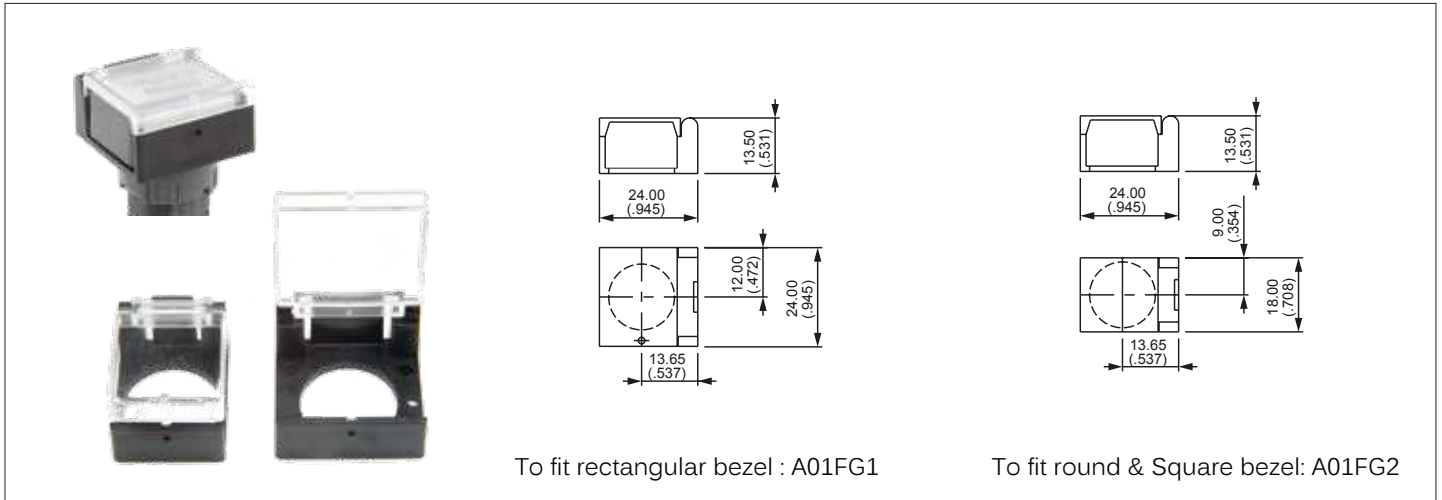
Dimensions : first dimensions are in mm while inches are shown in brackets.
Refer to the following pages for further information.

A01 series

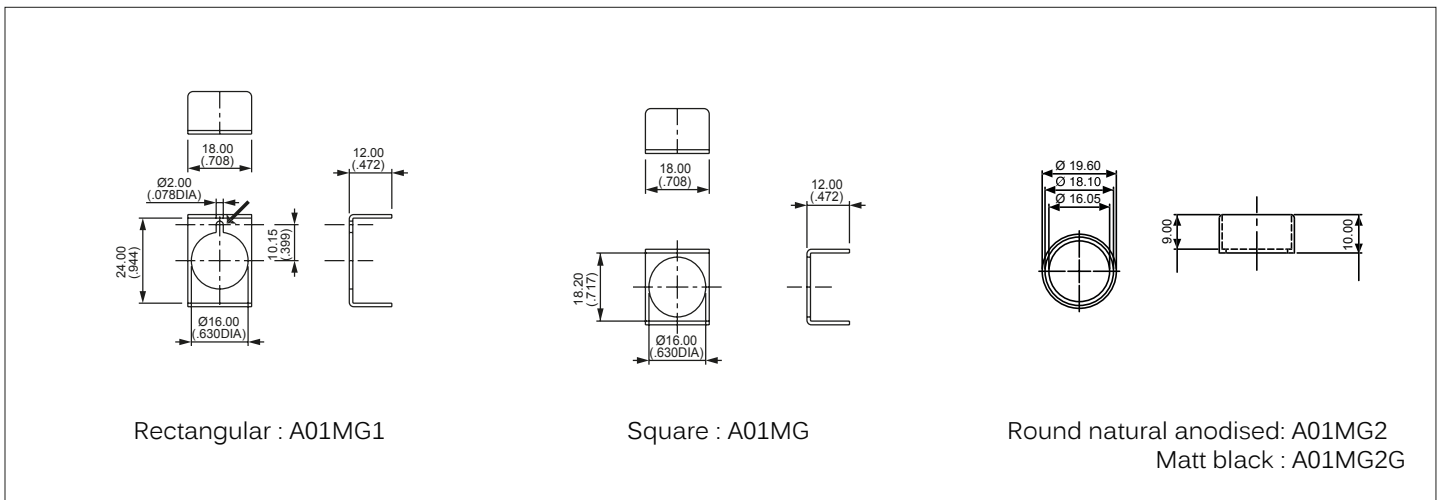
Pushbutton switches & indicators

Accessories

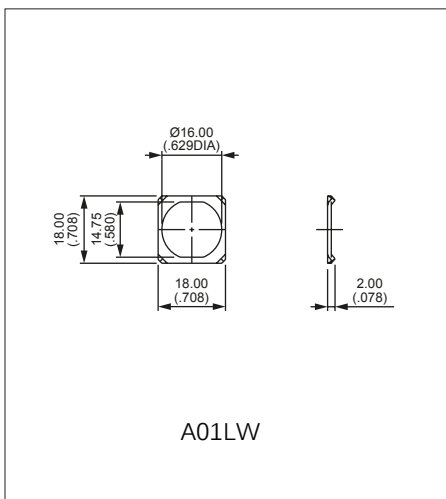
Flap guards



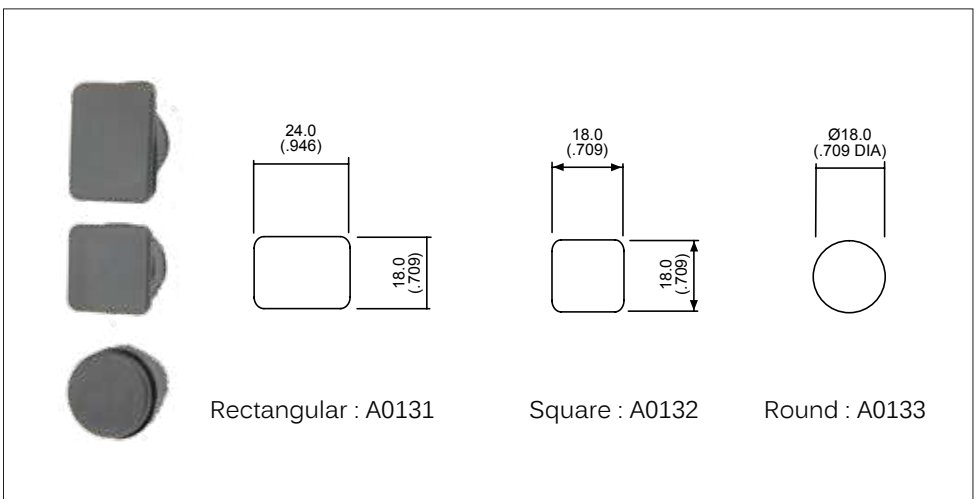
Aluminium bezel protection guards



Anti rotation ring



Blanking plugs



A01 series

Pushbutton switches & indicators

Installation & tools

Installation guide

SWITCH BLOCK ASSEMBLY

ROTARY LEVER SWITCHES

KEYLOCK SWITCHES

PUSHBUTTONS & INDICATORS

SCREEN

LEGEND

REFLECTOR

LOCATING SLOT

BULB

POLARISING DOT

PANEL SEAL

FIXING NUT

OPERATOR

LATCH

SWITCH BLOCK

8.00 max (31.4 max)


PANEL MOUNTING ASSEMBLY

- Drill/punch hole shaped as shown on page one.
- Assemble front operator through hole, fit fixing nut and tighten to a maximum torque of 0.8Nm using tool No. 30-0001.
- Wire chosen switch block as required and slide onto operator until latch engages.
- Fit bulb if required using tool No. 30-0002.
- Snap screen onto reflector assembly with legend in between if required and snap onto front operator, take care to line up the locating slot with the polarising dot and not to damage the internal seal
- To place/remove the bulb use the bulb extractor 30-0002.

To assemble switch block to the operator, firstly, take care to line up the switch block with the back of the operator. Once in position slide on to the back of the operator. N.B. Ensure latch is fully engaged correctly onto the switch block. To remove switch block, depress the latch and slide the switch block off the operator.


Tools

Nut fixing key



30-0001

Bulb remover



30-0002