



Chipsmall Limited consists of a professional team with an average of over 10 year of expertise in the distribution of electronic components. Based in Hongkong, we have already established firm and mutual-benefit business relationships with customers from,Europe,America and south Asia,supplying obsolete and hard-to-find components to meet their specific needs.

With the principle of “Quality Parts,Customers Priority,Honest Operation,and Considerate Service”,our business mainly focus on the distribution of electronic components. Line cards we deal with include Microchip,ALPS,ROHM,Xilinx,Pulse,ON,Everlight and Freescale. Main products comprise IC,Modules,Potentiometer,IC Socket,Relay,Connector.Our parts cover such applications as commercial,industrial, and automotives areas.

We are looking forward to setting up business relationship with you and hope to provide you with the best service and solution. Let us make a better world for our industry!



Contact us

Tel: +86-755-8981 8866 Fax: +86-755-8427 6832

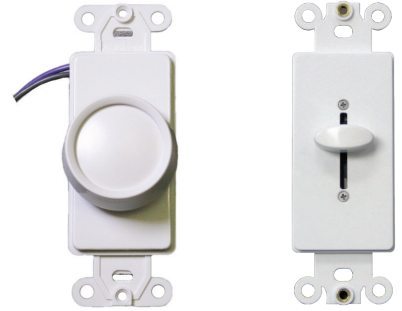
Email & Skype: info@chipsmall.com Web: www.chipsmall.com

Address: A1208, Overseas Decoration Building, #122 Zhenhua RD., Futian, Shenzhen, China



Package Contents

- Low Voltage Dimming Control with knob and mounting plate
- Mounting screws
- Wire nuts



Operation

The 0-10 volt DC Low Voltage Dimming Control is for use with LED lighting products such as the LUXdrive™ A009 BuckBlock™, A011 FlexBlock™, 9008 LuxStrip II™, A006 LuxStrip II™, 3021/3023 BuckPuck™ LED drivers, and others compatible with a 0-10V current sinking control. Features logarithmic response and reverse polarity protection.

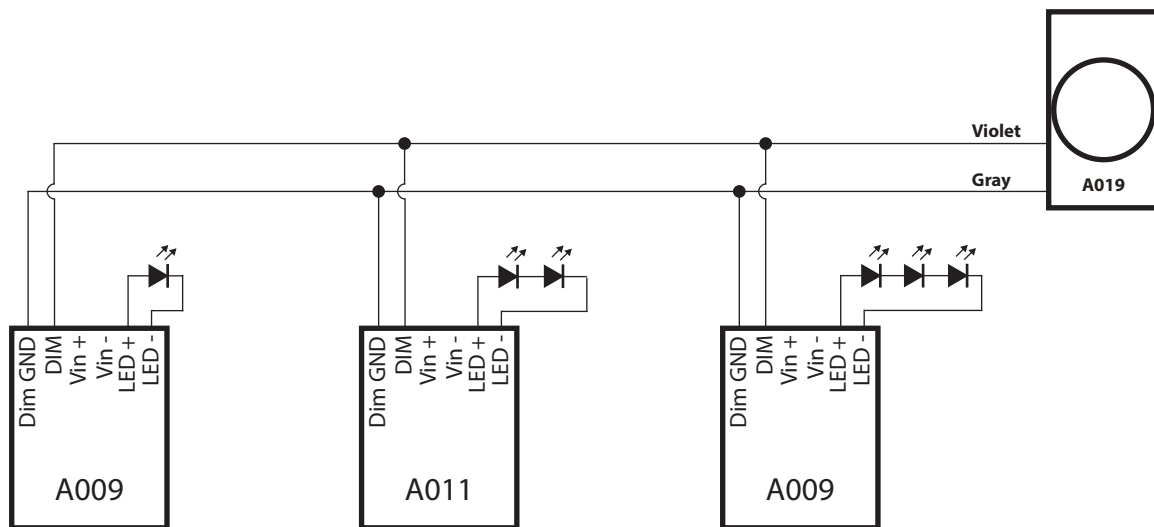


WARNING: Miswiring Low Voltage Dimming Control could cause permanent damage to dimmer.
Do Not connect this control to line voltage.
Do Not connect with power applied.
 Maximum recommended operating current is 25mA.

Application Figures

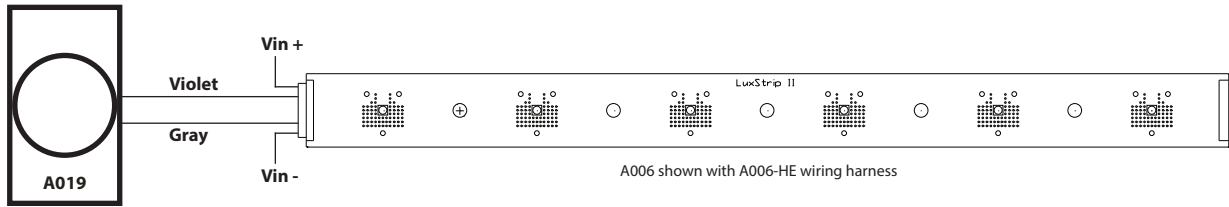
A009 BuckBlocks™, A011 FlexBlocks™, or a combination of the two: Up to 25 units can be dimmed on a single Low Voltage Dimming Control.

When the drivers being controlled are within a few feet of each other, daisy-chain wiring (shown below) is fine. When dimming distant modules, a star wiring pattern (each driver with its own run of violet/gray wire back to the dimming control) and 18AWG wire is recommended.

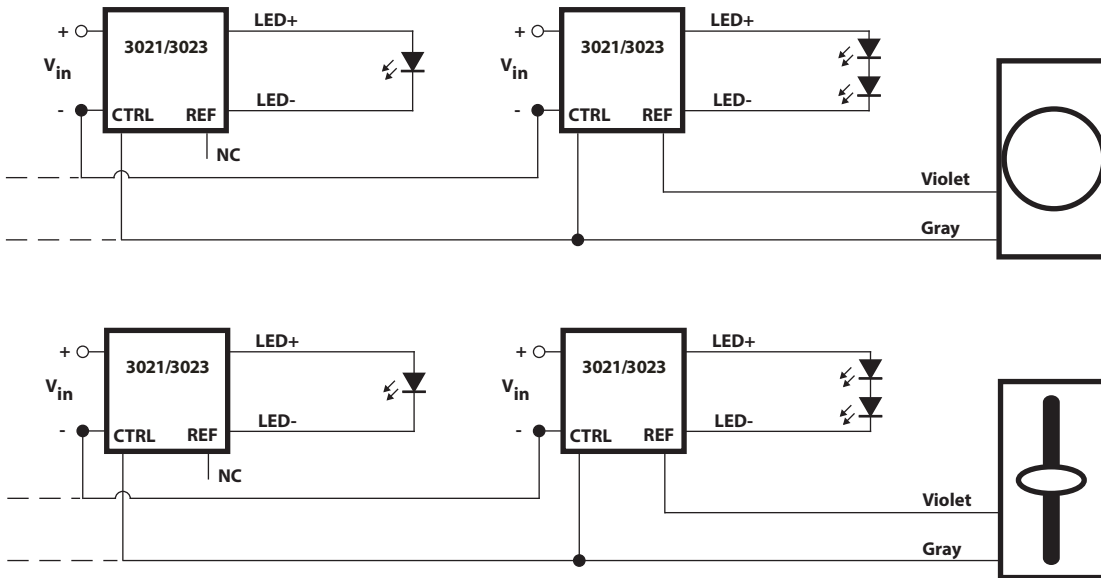


Application Figures Cont.

9008 LuxStrip II™ and A006 LuxStrip II™: Control up to 50 strips with a single Low Voltage Dimming Control.



3021/3023 BuckPucks™ or 4015 BoostPucks™: Control one to four BuckPucks™ or BoostPucks™ with a single Low Voltage Dimming Control. When controlling multiple units, connect the CTRL line of all units to the Dimming Control and connect **only one** REF line as shown below.



Specifications subject to change without notice. April, 2016 - Rev 1.3