



Chipsmall Limited consists of a professional team with an average of over 10 year of expertise in the distribution of electronic components. Based in Hongkong, we have already established firm and mutual-benefit business relationships with customers from,Europe,America and south Asia,supplying obsolete and hard-to-find components to meet their specific needs.

With the principle of “Quality Parts,Customers Priority,Honest Operation,and Considerate Service”,our business mainly focus on the distribution of electronic components. Line cards we deal with include Microchip,ALPS,ROHM,Xilinx,Pulse,ON,Everlight and Freescale. Main products comprise IC,Modules,Potentiometer,IC Socket,Relay,Connector.Our parts cover such applications as commercial,industrial, and automotives areas.

We are looking forward to setting up business relationship with you and hope to provide you with the best service and solution. Let us make a better world for our industry!



Contact us

Tel: +86-755-8981 8866 Fax: +86-755-8427 6832

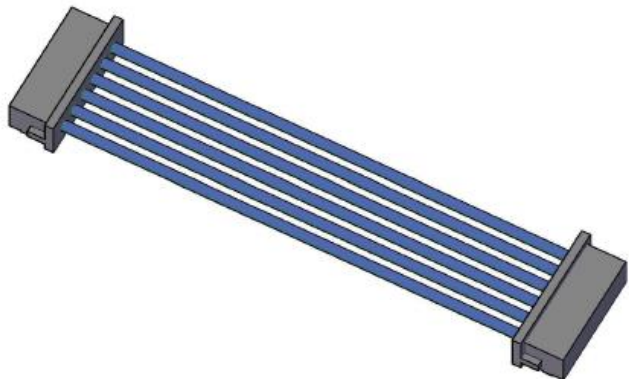
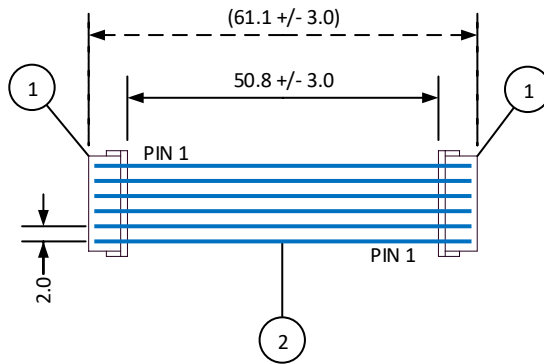
Email & Skype: info@chipsmall.com Web: www.chipsmall.com

Address: A1208, Overseas Decoration Building, #122 Zhenhua RD., Futian, Shenzhen, China



4		3		2		1	
ITEM	CONNECTOR PART NO.	DESCRIPTION	IPI CHECK	EOR CHECK	Applicable Tooling		
1	See Table 1	KR CONNECTOR			BCD		
2	UL1061, 26 AWG	BLUE			TABLE 1		

ITEM	NUMBER OF CIRCUITS	CONNECTOR PART NO.	ASSEMBLY PART NUMBER	TOTAL WIRE REQUIRED
1	2	02KR-6S-P	A02KR02KR26E51B	101.6 mm
1	3	03KR-6S-P	A03KR03KR26E51B	152.4 mm
1	4	04KR-6S-P	A04KR04KR26E51B	203.2 mm
1	5	05KR-6S-P	A05KR05KR26E51B	254 mm
1	6	06KR-6S-P	A06KR06KR26E51B	304.8 mm
1	7	07KR-6S-P	A07KR07KR26E51B	355.6 mm
1	8	08KR-6S-P	A08KR08KR26E51B	406.4 mm
1	9	09KR-6S-P	A09KR09KR26E51B	457.2 mm
1	10	10KR-6S-P	A10KR10KR26E51B	508 mm
1	11	11KR-6S-P	A11KR11KR26E51B	558.8 mm
1	12	12KR-6S-P	A12KR12KR26E51B	609.6 mm
1	13	13KR-6S-P	A13KR13KR26E51B	660.4 mm
1	14	14KR-6S-P	A14KR14KR26E51B	711.2 mm
1	15	15KR-6S-P	A15KR15KR26E51B	762 mm
1	16	16KR-6S-P	A16KR16KR26E51B	812.8 mm



SCALE 1: 1		CUSTOMER NAME		CUSTOMER PART NO.	
DIMENSIONS All dimensions are in MM with a tolerance of +/- 3.0 unless otherwise specified.		DESCRIPTION 2.0 mm Pitch KR Standard Catalog Assembly - 2" Overall Length - Pin out: 1 to N			
		DRAWN BY STEVEN PILKINGTON		ASSEMBLY PART NO. SEE TABLE 1	
CHECKED BY JUSTIN BAKER		DRAWING NO. & REVISION GAM-025		REVISED 3/4/2016	



REV.	DESCRIPTION	DATE	BY
------	-------------	------	----