



Chipsmall Limited consists of a professional team with an average of over 10 year of expertise in the distribution of electronic components. Based in Hongkong, we have already established firm and mutual-benefit business relationships with customers from,Europe,America and south Asia,supplying obsolete and hard-to-find components to meet their specific needs.

With the principle of “Quality Parts,Customers Priority,Honest Operation,and Considerate Service”,our business mainly focus on the distribution of electronic components. Line cards we deal with include Microchip,ALPS,ROHM,Xilinx,Pulse,ON,Everlight and Freescale. Main products comprise IC,Modules,Potentiometer,IC Socket,Relay,Connector.Our parts cover such applications as commercial,industrial, and automotives areas.

We are looking forward to setting up business relationship with you and hope to provide you with the best service and solution. Let us make a better world for our industry!



## Contact us

Tel: +86-755-8981 8866 Fax: +86-755-8427 6832

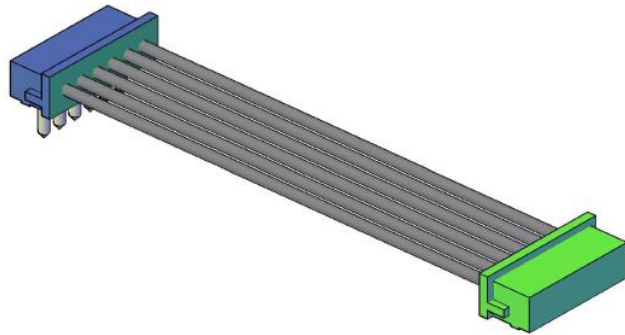
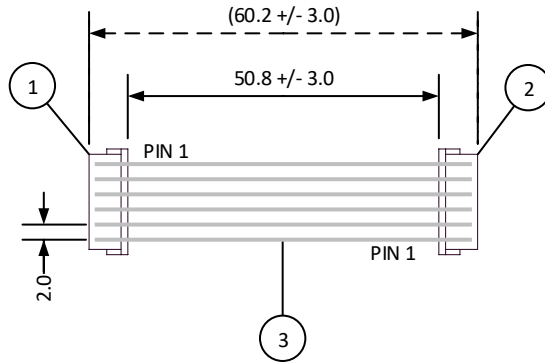
Email & Skype: info@chipsmall.com Web: www.chipsmall.com

Address: A1208, Overseas Decoration Building, #122 Zhenhua RD., Futian, Shenzhen, China



4		3		2		1		
ITEM	CONNECTOR PART NO.	DESCRIPTION	IPI CHECK	EOR CHECK	Applicable Tooling			
1	See Table 1	DS CONNECTOR			BCD			
2	See Table 1	KR CONNECTOR			TABLE 1			
3	UL1061, 28 AWG	WHITE			TABLE 1			

ITEM	NUMBER OF CIRCUITS	CONNECTOR PART NO.	ASSEMBLY PART NUMBER	TOTAL WIRE REQUIRED
1		02DS-8E	A02KR02DS28W51B	101.6
2	2	02KR-8M-P		
1		03DS-8E	A03KR03DS28W51B	152.4
2	3	03KR-8M-P		
1		04DS-8E	A04KR04DS28W51B	203.2
2	4	04KR-8M-P		
1		05DS-8E	A05KR05DS28W51B	254
2	5	05KR-8M-P		
1		06DS-8E	A06KR06DS28W51B	304.8
2	6	06KR-8M-P		
1		07DS-8E	A07KR07DS28W51B	355.6
2	7	07KR-8M-P		
1		08DS-8E	A08KR08DS28W51B	406.4
2	8	08KR-8M-P		
1		09DS-8E	A09KR09DS28W51B	457.2
2	9	09KR-8M-P		
1		10DS-8E	A10KR10DS28W51B	508
2	10	10KR-8M-P		
1		11DS-8E	A11KR11DS28W51B	558.8
2	11	11KR-8M-P		
1		12DS-8E	A12KR12DS28W51B	609.6
2	12	12KR-8M-P		
1		13DS-8E	A13KR13DS28W51B	660.4
2	13	13KR-8M-P		
1		14DS-8E	A14KR14DS28W51B	711.2
2	14	14KR-8M-P		
1		15DS-8E	A15KR15DS28W51B	762
2	15	15KR-8M-P		



SCALE 1:1		
DIMENSIONS All dimensions are in MM with a tolerance of +/- 3.0 unless otherwise specified.	CUSTOMER NAME	CUSTOMER PART NO.
	DESCRIPTION 2.0 mm Pitch DS to KR Standard Catalog Assembly - 2" Overall Length - Pin out: 1 to N	
DRAWN BY STEVEN PILKINGTON	ASSEMBLY PART NO. SEE TABLE 1	
CHECKED BY JUSTIN BAKER	DRAWING NO. & REVISION GAM-031	REVISED 3/4/2016



REV.	DESCRIPTION	DATE	BY