



Chipsmall Limited consists of a professional team with an average of over 10 year of expertise in the distribution of electronic components. Based in Hongkong, we have already established firm and mutual-benefit business relationships with customers from,Europe,America and south Asia,supplying obsolete and hard-to-find components to meet their specific needs.

With the principle of “Quality Parts,Customers Priority,Honest Operation,and Considerate Service”,our business mainly focus on the distribution of electronic components. Line cards we deal with include Microchip,ALPS,ROHM,Xilinx,Pulse,ON,Everlight and Freescale. Main products comprise IC,Modules,Potentiometer,IC Socket,Relay,Connector.Our parts cover such applications as commercial,industrial, and automotives areas.

We are looking forward to setting up business relationship with you and hope to provide you with the best service and solution. Let us make a better world for our industry!



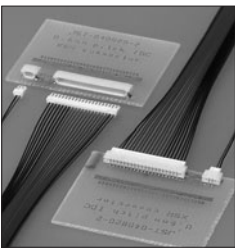
## Contact us

Tel: +86-755-8981 8866 Fax: +86-755-8427 6832

Email & Skype: info@chipsmall.com Web: www.chipsmall.com

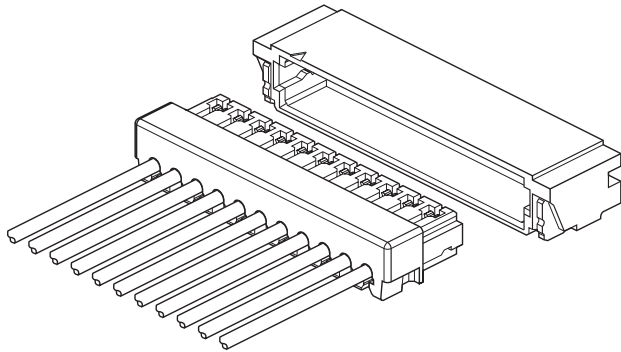
Address: A1208, Overseas Decoration Building, #122 Zhenhua RD., Futian, Shenzhen, China





# XSR CONNECTOR

0.6mm pitch/Disconnectable Insulation displacement connectors



**This is the world's smallest 0.6mm pitch ID connector for discrete wires.**  
**This Wire to Board miniaturized connector has a mounting height of 1.45mm and depth of 3.0mm.**

- Space saving
- Twin U-slot insulation displacement section
- New strain relief structure
- Suitable for thin wires
- Applicable to automatic ID machines

## Specifications

- Current rating: 0.2A AC, DC
- Voltage rating: 30V AC, DC
- Temperature range: -25°C to +85°C  
(including temperature rise in applying electrical current)
- Contact resistance: Initial value/ 30m Ω max.  
After environmental testing/ 50m Ω max.
- Insulation resistance: 100M Ω min.
- Withstanding voltage: 200V AC/minute
- Applicable wire: Conductor size/ AWG #36  
Conductor/ 7 strands,  
tin-coated copper alloy  
Insulation O.D./ 0.29mm

\* Compliant with RoHS.

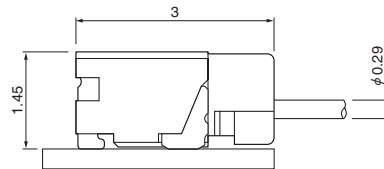
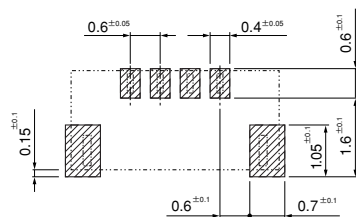
\* Refer to "General Instruction and Notice when using Terminals and Connectors" at the end of this catalog.

\* Contact JST for details.

## Standards

Ⓡ Recognized E60389

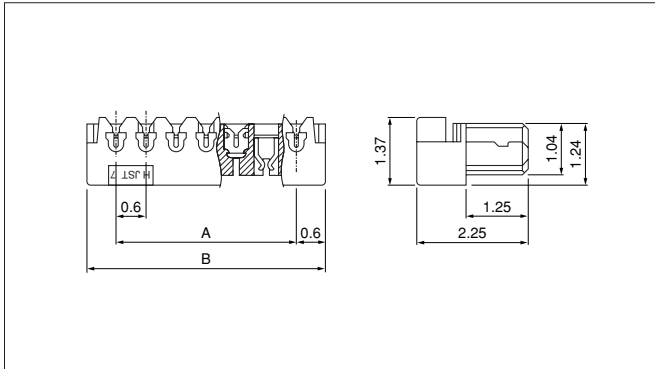
Ⓢ Certified LR20812



- Note: 1. The above figure is the figure viewed from the connector mounting side.  
 2. Tolerances are non-cumulative: ±0.05mm for all centers.  
 3. The dimensions above should serve as a guideline. Contact JST for details.

# XSR CONNECTOR

## Socket



Circuits	Model No.	Dimensions (mm)		Qty / box
		A	B	
2	<b>02XSR-36S</b>	0.6	1.8	4,000
4	<b>04XSR-36S</b>	1.8	3.0	4,000
6	<b>06XSR-36S</b>	3.0	4.2	4,000
10	<b>10XSR-36S</b>	5.4	6.6	4,000
16	<b>16XSR-36S</b>	9.0	10.2	4,000
20	<b>20XSR-36S</b>	11.4	12.6	4,000
22	<b>*22XSR-36S</b>	12.6	13.8	4,000

### Material and Finish

Contact: Copper alloy, tin-plated (reflow treatment)

Housing: PA, UL94V-0, natural

### RoHS compliance

Note: \*Marked products are not UL/CSA approved.

<For reference> As the color identification, the following alphabet shall be put in the underlined part. For availability, delivery and minimum order quantity, contact JST.

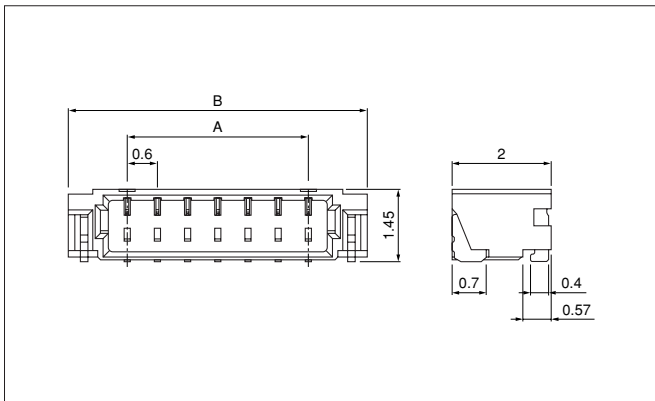
ex. **02XSR-36S**

S...natural (standard color)

LG...light green LP...light purple L...lemon yellow

PK...pink LE...light blue O...orange

## Header



Circuits	Model No.	Dimensions (mm)		Qty / reel
		A	B	
2	<b>SM02B-XSRS-ETB</b>	0.6	3.0	3,500
4	<b>SM04B-XSRS-ETB</b>	1.8	4.2	3,500
6	<b>SM06B-XSRS-ETB</b>	3.0	5.4	3,500
10	<b>SM10B-XSRS-ETB</b>	5.4	7.8	3,500
16	<b>SM16B-XSRS-ETB</b>	9.0	11.4	3,500
20	<b>SM20B-XSRS-ETB</b>	11.4	13.8	3,500
22	<b>*SM22B-XSRS-ETB</b>	12.6	15.0	3,500

### Material and Finish

Contact: Copper alloy, copper-undercoated, tin-plated (reflow treatment)

Housing: PA, UL94V-0, natural

Solder tab: Brass, copper-undercoated, tin-plated (reflow treatment)

**RoHS compliance** This product displays (LF)(SN) on a label.

Note: 1. This products listed above are supplied on embossed-tape.

2. \*Marked products are not UL/CSA approved.

<For reference> As the color identification, the following alphabet shall be put in the underlined part. For availability, delivery and minimum order quantity, contact JST.

ex. **SM02B-XSRS-ETB**

S...natural (standard color)

LG...light green LP...light purple L...lemon yellow

PK...pink LE...light blue O...orange