



Chipsmall Limited consists of a professional team with an average of over 10 year of expertise in the distribution of electronic components. Based in Hongkong, we have already established firm and mutual-benefit business relationships with customers from,Europe,America and south Asia,supplying obsolete and hard-to-find components to meet their specific needs.

With the principle of “Quality Parts,Customers Priority,Honest Operation,and Considerate Service”,our business mainly focus on the distribution of electronic components. Line cards we deal with include Microchip,ALPS,ROHM,Xilinx,Pulse,ON,Everlight and Freescale. Main products comprise IC,Modules,Potentiometer,IC Socket,Relay,Connector.Our parts cover such applications as commercial,industrial, and automotives areas.

We are looking forward to setting up business relationship with you and hope to provide you with the best service and solution. Let us make a better world for our industry!



Contact us

Tel: +86-755-8981 8866 Fax: +86-755-8427 6832

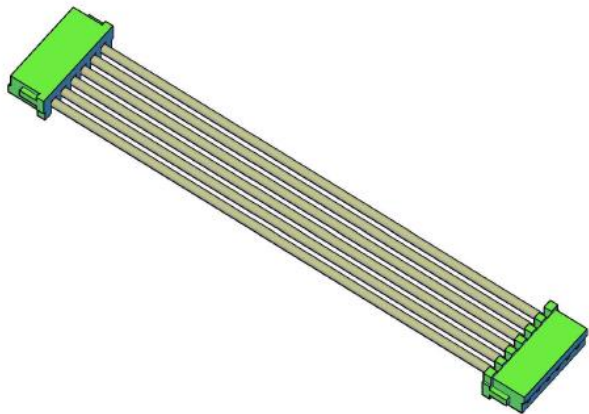
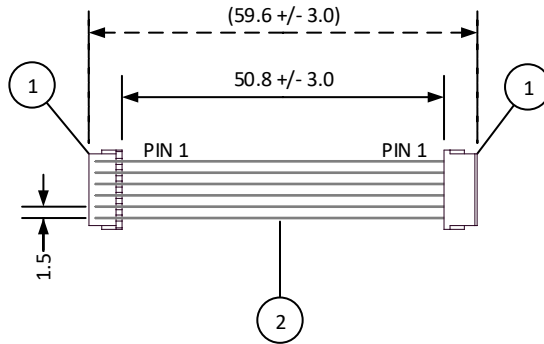
Email & Skype: info@chipsmall.com Web: www.chipsmall.com

Address: A1208, Overseas Decoration Building, #122 Zhenhua RD., Futian, Shenzhen, China



4		3		2		1	
ITEM	CONNECTOR PART NO.	DESCRIPTION	IPI CHECK	EOR CHECK	Applicable Tooling		
1	See Table 1	ZR CONNECTOR			BCD		
2	UL1571, 28 AWG	GREY			TABLE 1		

ITEM	NUMBER OF CIRCUITS	CONNECTOR PART NO.	ASSEMBLY PART NUMBER	TOTAL WIRE REQUIRED
1	2	02ZR-8M-P	A02ZR02ZR28H51A	101.6
1	3	03ZR-8M-P	A03ZR03ZR28H51A	152.4
1	4	04ZR-8M-P	A04ZR04ZR28H51A	203.2
1	5	05ZR-8M-P	A05ZR05ZR28H51A	254.0
1	6	06ZR-8M-P	A06ZR06ZR28H51A	304.8
1	7	07ZR-8M-P	A07ZR07ZR28H51A	355.6
1	8	08ZR-8M-P	A08ZR08ZR28H51A	406.4
1	9	09ZR-8M-P	A09ZR09ZR28H51A	457.2
1	10	10ZR-8M-P	A10ZR10ZR28H51A	508.0
1	11	11ZR-8M-P	A11ZR11ZR28H51A	558.8
1	12	12ZR-8M-P	A12ZR12ZR28H51A	609.6
1	13	13ZR-8M-P	A13ZR13ZR28H51A	660.4



SCALE 1: 1		CUSTOMER NAME		CUSTOMER PART NO.	
DIMENSIONS All dimensions are in MM with a tolerance of +/- 3.0 unless otherwise specified.		DESCRIPTION 1.5 mm Pitch ZR Standard Catalog Assembly - 2" Overall Length - Pin out: 1 to 1			
		DRAWN BY STEVEN PILKINGTON		ASSEMBLY PART NO. SEE TABLE 1	
CHECKED BY JUSTIN BAKER		DRAWING NO. & REVISION GAM-016		REVISED 2/25/2016	



REV.	DESCRIPTION	DATE	BY
------	-------------	------	----

4 | 3 | 2 | 1