



Chipsmall Limited consists of a professional team with an average of over 10 year of expertise in the distribution of electronic components. Based in Hongkong, we have already established firm and mutual-benefit business relationships with customers from,Europe,America and south Asia,supplying obsolete and hard-to-find components to meet their specific needs.

With the principle of “Quality Parts,Customers Priority,Honest Operation,and Considerate Service”,our business mainly focus on the distribution of electronic components. Line cards we deal with include Microchip,ALPS,ROHM,Xilinx,Pulse,ON,Everlight and Freescale. Main products comprise IC,Modules,Potentiometer,IC Socket,Relay,Connector.Our parts cover such applications as commercial,industrial, and automotives areas.

We are looking forward to setting up business relationship with you and hope to provide you with the best service and solution. Let us make a better world for our industry!



Contact us

Tel: +86-755-8981 8866 Fax: +86-755-8427 6832

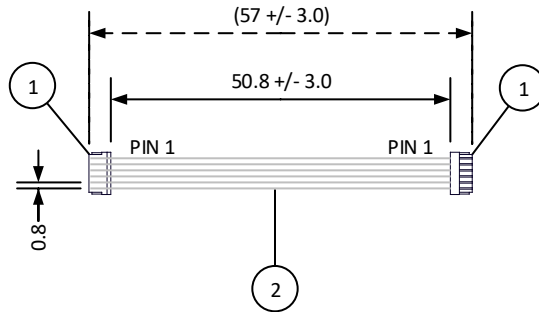
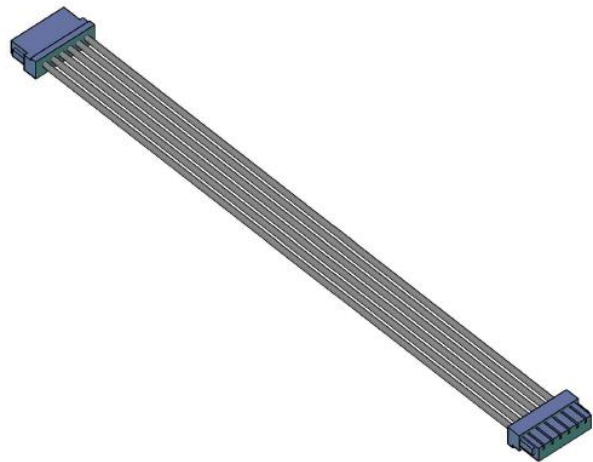
Email & Skype: info@chipsmall.com Web: www.chipsmall.com

Address: A1208, Overseas Decoration Building, #122 Zhenhua RD., Futian, Shenzhen, China



4		3		2		1		
ITEM	CONNECTOR PART NO.	DESCRIPTION	IPI CHECK	EOR CHECK	Applicable Tooling			
1	See Table 1	SUR CONNECTOR			BCD			
2	UL11136, 32 AWG	WHITE			TABLE 1			

ITEM	NUMBER OF CIRCUITS	CONNECTOR PART NO.	ASSEMBLY PART NUMBER	TOTAL WIRE REQUIRED
1	2	02SUR-32S	A02SUR02SUR32W51A	101.6 mm
1	3	03SUR-32S	A03SUR03SUR32W51A	152.4 mm
1	4	04SUR-32S	A04SUR04SUR32W51A	203.2 mm
1	5	05SUR-32S	A05SUR05SUR32W51A	254 mm
1	6	06SUR-32S	A06SUR06SUR32W51A	304.8 mm
1	8	08SUR-32S	A08SUR08SUR32W51A	406.4 mm
1	10	10SUR-32S	A10SUR10SUR32W51A	508 mm
1	12	12SUR-32S	A12SUR12SUR32W51A	609.6 mm
1	14	14SUR-32S	A14SUR14SUR32W51A	711.2 mm
1	15	15SUR-32S	A15SUR15SUR32W51A	762 mm
1	16	16SUR-32S	A16SUR16SUR32W51A	812.8 mm
1	17	17SUR-32S	A17SUR17SUR32W51A	863.6 mm
1	20	20SUR-32S	A20SUR20SUR32W51A	1,016 mm
1	22	22SUR-32S	A22SUR22SUR32W51A	1,117.6 mm



2		3		2		1		
SCALE		DIMENSIONS		CUSTOMER NAME		CUSTOMER PART NO.		
1: 1		All dimensions are in MM with a tolerance of +/- 3.0 unless otherwise specified.						
DRAWN BY		CHECKED BY		ASSEMBLY PART NO.		DESCRIPTION		
STEVEN PILKINGTON		JUSTIN BAKER		SEE TABLE 1		0.8 mm Pitch SUR Standard Catalog Assembly - 2" Inside Length - Pin out: 1 to 1		
REV.		DESCRIPTION		DATE		DRAWING NO. & REVISION		REVISED
						GAM-004		2/25/2016

2	ADDED 20 CIRCUIT ASSEMBLY	6/23/2016	SP
1	ADDED 10 CIRCUIT ASSEMBLY	6/16/2016	SP

4 3 2 1