



Chipsmall Limited consists of a professional team with an average of over 10 year of expertise in the distribution of electronic components. Based in Hongkong, we have already established firm and mutual-benefit business relationships with customers from,Europe,America and south Asia,supplying obsolete and hard-to-find components to meet their specific needs.

With the principle of “Quality Parts,Customers Priority,Honest Operation,and Considerate Service”,our business mainly focus on the distribution of electronic components. Line cards we deal with include Microchip,ALPS,ROHM,Xilinx,Pulse,ON,Everlight and Freescale. Main products comprise IC,Modules,Potentiometer,IC Socket,Relay,Connector.Our parts cover such applications as commercial,industrial, and automotives areas.

We are looking forward to setting up business relationship with you and hope to provide you with the best service and solution. Let us make a better world for our industry!



## Contact us

Tel: +86-755-8981 8866 Fax: +86-755-8427 6832

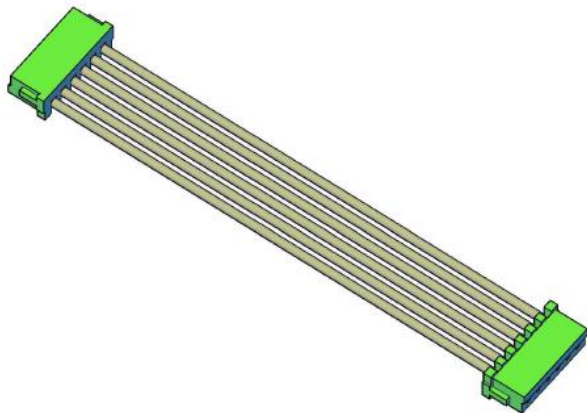
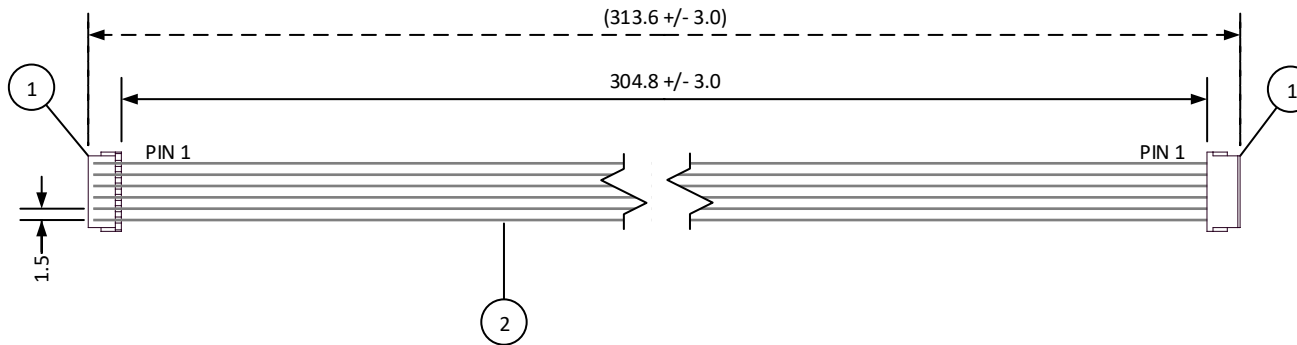
Email & Skype: info@chipsmall.com Web: www.chipsmall.com

Address: A1208, Overseas Decoration Building, #122 Zhenhua RD., Futian, Shenzhen, China



4		3		2		1	
ITEM	CONNECTOR PART NO.	DESCRIPTION	IPI CHECK	EOR CHECK	Applicable Tooling		
1	See Table 1	ZR CONNECTOR			BCD		
2	UL1571, 28 AWG	GREY			TABLE 1		

ITEM	NUMBER OF CIRCUITS	CONNECTOR PART NO.	ASSEMBLY PART NUMBER	TOTAL WIRE REQUIRED
1	2	02ZR-8M-P	A02ZR02ZR28H305A	609.6
1	3	03ZR-8M-P	A03ZR03ZR28H305A	914.4
1	4	04ZR-8M-P	A04ZR04ZR28H305A	1,219.2
1	5	05ZR-8M-P	A05ZR05ZR28H305A	1,524.0
1	6	06ZR-8M-P	A06ZR06ZR28H305A	1,828.8
1	7	07ZR-8M-P	A07ZR07ZR28H305A	2,133.6
1	8	08ZR-8M-P	A08ZR08ZR28H305A	2,438.4
1	9	09ZR-8M-P	A09ZR09ZR28H305A	2,743.2
1	10	10ZR-8M-P	A10ZR10ZR28H305A	3,048.0
1	11	11ZR-8M-P	A11ZR11ZR28H305A	3,352.8
1	12	12ZR-8M-P	A12ZR12ZR28H305A	3,657.6
1	13	13ZR-8M-P	A13ZR13ZR28H305A	3,962.4



SCALE 1:1		CUSTOMER NAME		CUSTOMER PART NO.	
DIMENSIONS All dimensions are in MM with a tolerance of +/- 3.0 unless otherwise specified.		DESCRIPTION 1.5 mm Pitch ZR Standard Catalog Assembly - 12" Overall Length - Pin out: 1 to 1			
DRAWN BY STEVEN PILKINGTON		ASSEMBLY PART NO. SEE TABLE 1			
CHECKED BY JUSTIN BAKER		DRAWING NO. & REVISION GAM-018		REVISED 2/25/2016	



REV.	DESCRIPTION	DATE	BY
------	-------------	------	----

4 3 2 1