



Chipsmall Limited consists of a professional team with an average of over 10 year of expertise in the distribution of electronic components. Based in Hongkong, we have already established firm and mutual-benefit business relationships with customers from,Europe,America and south Asia,supplying obsolete and hard-to-find components to meet their specific needs.

With the principle of “Quality Parts,Customers Priority,Honest Operation,and Considerate Service”,our business mainly focus on the distribution of electronic components. Line cards we deal with include Microchip,ALPS,ROHM,Xilinx,Pulse,ON,Everlight and Freescale. Main products comprise IC,Modules,Potentiometer,IC Socket,Relay,Connector.Our parts cover such applications as commercial,industrial, and automotives areas.

We are looking forward to setting up business relationship with you and hope to provide you with the best service and solution. Let us make a better world for our industry!



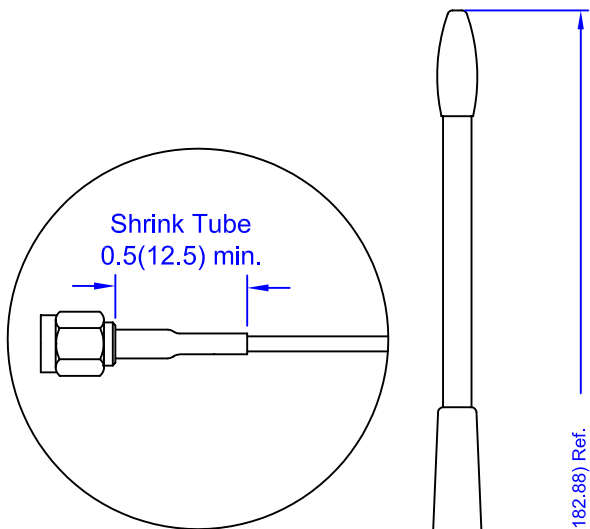
Contact us

Tel: +86-755-8981 8866 Fax: +86-755-8427 6832

Email & Skype: info@chipsmall.com Web: www.chipsmall.com

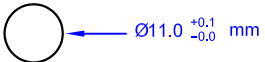
Address: A1208, Overseas Decoration Building, #122 Zhenhua RD., Futian, Shenzhen, China



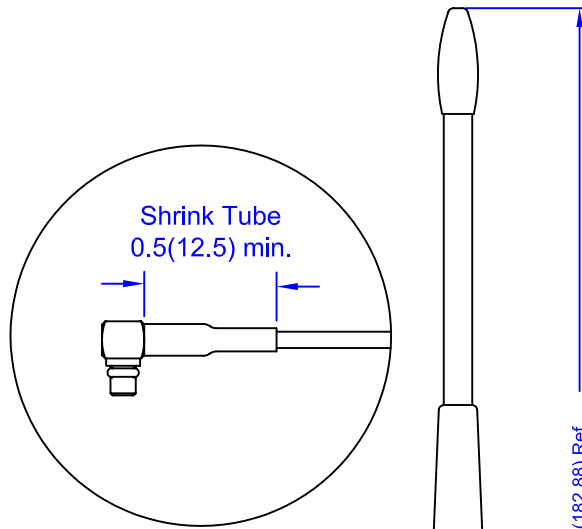


Mounting Hole

A-A view-Thread cross-section

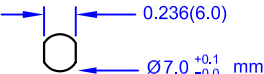


Round

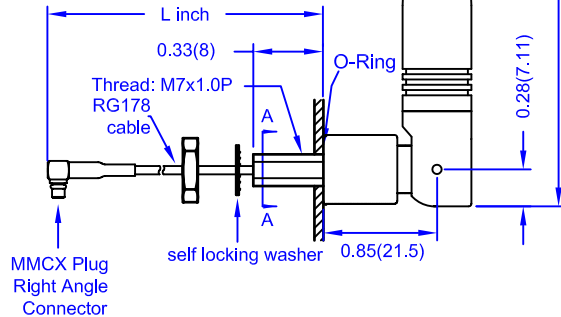
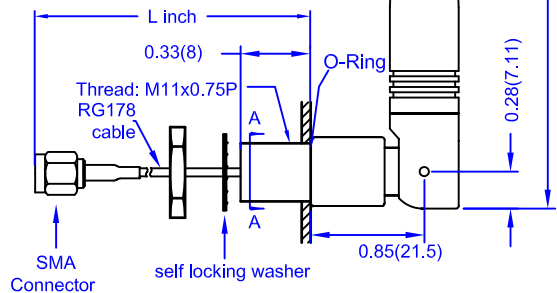


Mounting Hole

A-A view-Thread cross-section



Double D cut



Electrical Properties:

Frequency Range: 902~928 MHz
 Impedance: 50Ω nominal
 VSWR: <2.0:1
 Gain: *2.0 dBi
 Radiation: Omni
 Polarization: Vertical
 Wave: Half-Wave Dipole

*Gain is measured under no flying lead.

Mechanical Properties:

Cable: M17/93-RG178; Harbour Industries
 Cable Length: Standard length L=5 inches. or to be specified.
 Material:
 Overmold: Polyurethane(Black); BASF
 Swivel: Polyurethane(Black); BASF and Polycarbonate(Black); Bayer
 Operation Temp.: -20°C to +65°C
 Storage Temp.: -30°C to +75°C

| | | | | | |
|---------|---|-------------------|--------|-------|--------|
| TITLE | 900MHz Fixed Mount Swivel Antenna - 467 Model | DATE | 020905 | SHEET | 1 of 2 |
| UNIT | DWG. NO. | S467FL-L-XXX-915S | | | |
| in.(mm) | NEARSON | | | | |
| SCALE | | | | | |
| 0.7:1 | | | | | |

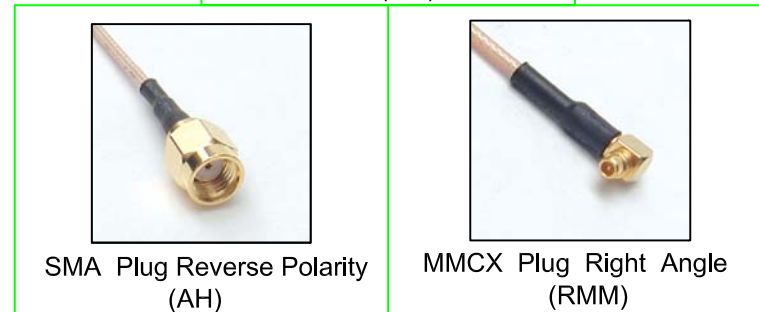
| L (inch) | Attenuation (dB) |
|----------|------------------|
| 3" | 0.13 dB |
| 4" | 0.17 dB |
| 5" | 0.22 dB |
| 6" | 0.26 dB |
| 8" | 0.34 dB |
| 10" | 0.43 dB |
| 12" | 0.52 dB |

Flying Lead Cable Length v.s. Attenuation Table
Standard M17/93-RG178 Cable Measured @1.0GHz

| Connector Code -XX- | Description | P / N |
|------------------------|---------------------------|-------------------|
| AM | SMA Plug | S467FL-L-AM-915S |
| AH | SMA Plug Reverse Polarity | S467FL-L-AH-915S |
| RMM | MMCX Plug Right Angle | S467FL-L-RMM-915S |



SMA Plug
(AM)



SMA Plug Reverse Polarity
(AH)

MMCX Plug Right Angle
(RMM)

Connector Type

| | | | |
|---------|--|-------------------|--------|
| TITLE | 900MHz Fixed Mount Swivel Antenna - 467 Model | DATE | SHEET |
| | | 020905 | 2 of 2 |
| UNIT | DWG. NO. | S467FL-L-XXX-915S | |
| in.(mm) | | | |
| SCALE | | | |
| none | | | |