



Chipsmall Limited consists of a professional team with an average of over 10 year of expertise in the distribution of electronic components. Based in Hongkong, we have already established firm and mutual-benefit business relationships with customers from,Europe,America and south Asia,supplying obsolete and hard-to-find components to meet their specific needs.

With the principle of "Quality Parts,Customers Priority,Honest Operation,and Considerate Service",our business mainly focus on the distribution of electronic components. Line cards we deal with include Microchip,ALPS,ROHM,Xilinx,Pulse,ON,Everlight and Freescale. Main products comprise IC,Modules,Potentiometer,IC Socket,Relay,Connector.Our parts cover such applications as commercial,industrial, and automotives areas.

We are looking forward to setting up business relationship with you and hope to provide you with the best service and solution. Let us make a better world for our industry!



## Contact us

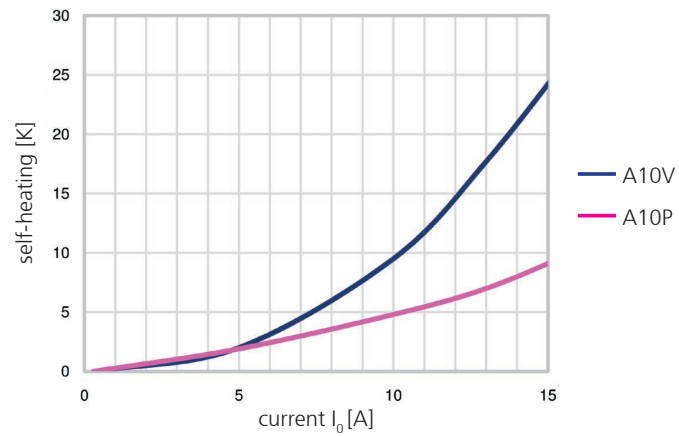
Tel: +86-755-8981 8866 Fax: +86-755-8427 6832

Email & Skype: info@chipsmall.com Web: www.chipsmall.com

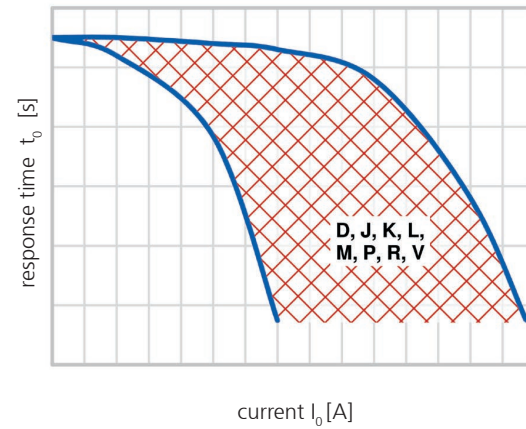
Address: A1208, Overseas Decoration Building, #122 Zhenhua RD., Futian, Shenzhen, China



## Characteristics of current vs. self heating and current vs. time



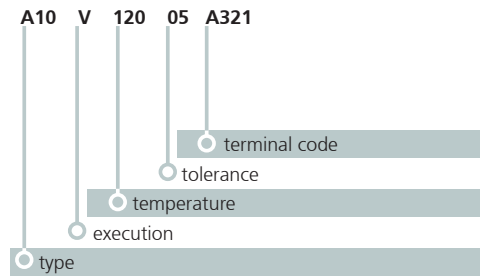
Test conditions:  
Measurement in air flow and lead wires  
of 1.5 mm<sup>2</sup>.



TCO variations for current-time based applications.

## Ordering and marking example

### Ordering example



### Marking

- A10V** type and execution
- E** country (E=Spain)
- 12005** response temperature (120°C), tolerance ( $\pm 5$ K)
- 049** date of manufacture (April 2009)
- A12D** type and execution
- C** country (C=Canada)
- 123** customised type with drawing number
- 065** date of manufacture (June 2015)

Representation office:



**CANTHERM**<sup>TM</sup> Div. of Microtherm International Cooperation

Canadian Thermostats & Control Devices, Ltd.  
8415 Mountain Sights Ave.  
Montreal, Canada H4P 2B8

Tel: (514) 739-3274 Fax: (514) 739-2902  
**1 (800) 561-7207**  
WEBSITE: [www.cantherm.com](http://www.cantherm.com)  
E-Mail: [sales@cantherm.com](mailto:sales@cantherm.com)

Current and time based switch  
Temperature limiter  
Thermostat

10  
20  
30  
40

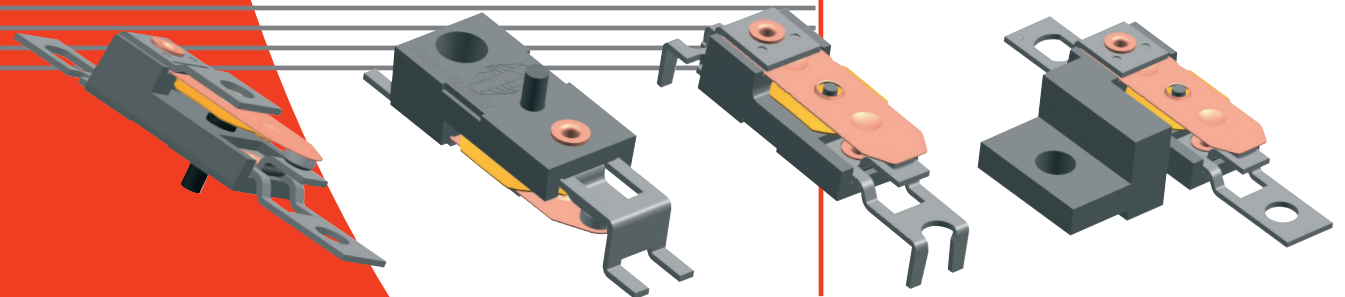


## Applications

- Household appliances
- Electronics
- Fan heaters
- Automotive industry



## Benefits

- More safety by self hold types
- PCB terminals available
- Customised ratings
- Up to 100,000 cycles




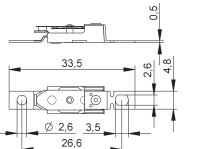
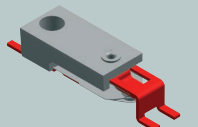
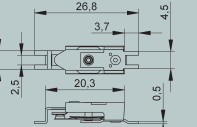
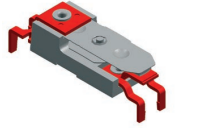
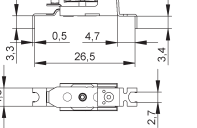
**CANTHERM**

## Technical data ( standard types )

ratings		TCO	A10V A11V	A20V A21V	A30V A31V	A40V A41V
function			automatic	manual	self hold 230 V	self hold 120 V
version			normally closed			
VDE	rated current at 50 / 60 Hz ( power factor 0.95 / 0.6 )		16 A / 2.5 A (250 V)	19.2 A / 2.5 A (250 V)	16 A / 2.5 A (230 V)	19.2 A / 2.5 A (120 V)
	switching cycles		10,000	1,000	10,000	8,000
	temperature range T <sub>a</sub> ( steps in 5 K )		70 °C ... 160 °C	70 °C ... 130°C / 140 °C	70 °C ... 160 °C	
UL	rated current at 50 / 60 Hz ( power factor 1.0 / 0.75 )		16 A / 6.3 A (250 V)			16 A / - (125 V)
	switching cycles		6,000			
	temperature range T <sub>a</sub> ( steps in 5 K )		70 °C ... 160 °C			
max. current at 250 V 50/60Hz( power factor 0.95 )			25 A			
switching cycles under max. current			200			
tolerance			standard: ± 5 K			
feature of automatic action			1.B, 2.B	2.B	2.C	
contact resistance			< 50 mΩ			
hysteresis / reset temperature <sup>1)</sup>			30 K ± 15 K / -	- / < -20 °C ; < -10°C	- / < -20 °C <sup>2)</sup>	
suitable for use in protection class			I, II			
approvals	VDE / ENEC 		EN 60730-1 / -2-9			
	UL 		UL File Number E48909			
	CSA		C22.2 No. 24 <sup>3)</sup>			
	CQC		GB14536.1-1998 / GB14536.10-1996 <sup>4)</sup>			

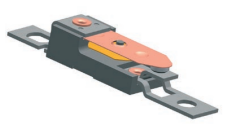
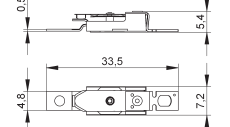
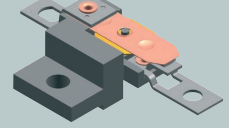
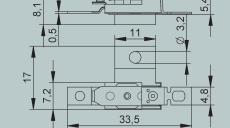

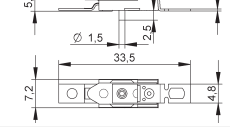
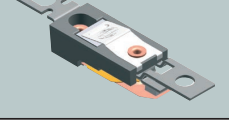
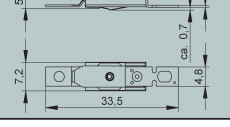
<sup>1)</sup> at the T<sub>a</sub> (upper and lower) limits the hysteresis could deviate <sup>2)</sup> without air flow <sup>3)</sup> different power rating <sup>4)</sup> details on request

## Terminals

code	used in TCO	illustration	drawing dimensions ( mm )	technical specification	approvals
standard	A10, A11, A12, A13 A20, A21, A22, A23 A30, A31, A32, A33 A40, A41, A42, A43			terminals for soldering, screwing, riveting or welding CuNi18Zn20 <sup>1)</sup>	VDE, UL, CSA
A321	A10, A12 A20, A22 A30, A32 A40, A42			SMD terminals CuNi18Zn20 <sup>1)</sup>	VDE, UL
A322	A10, A12 A20, A22 A30, A32 A40, A42			THT terminals CuNi18Zn20 <sup>1)</sup>	VDE, UL

<sup>1)</sup> P types have terminals of CuFe2P material

## Standard types

TCO		illustration	drawing dimensions ( mm )	technical specification	approvals
standard	current - time based <sup>1)</sup>				
A10V	A12V			base of thermosetting plastic	VDE, UL, CSA
A11V A21V A31V A41V	A13V A23V A33V A43V			screw-on fixing base of thermosetting plastic	VDE, UL, CSA
A20V	A22V			manual reset base of thermosetting plastic  possible screw-on fixing dimensions see above	VDE, UL, CSA
A30V A40V	A32V A42V			voltage maintained PTC 120V or 230V base of thermosetting plastic  possible screw-on fixing dimensions see above	VDE, UL, CSA

<sup>1)</sup> For current-time based types (execution D, J, K, L, M, P, R, V) the following information must be provided:

- DC or AC voltage U<sub>N</sub> in Volts.
- Continuous operating current I<sub>C</sub> in Amps at which the switch must not respond.
- Current level I<sub>0</sub> in Amps at which the switch must respond.
- Response time t<sub>0</sub> (in seconds ± tolerance) within which the switch must respond after reaching I<sub>0</sub>.
- Ambient temperatures which could be experienced both in normal operation and in switching conditions.
- Maximum current in Amps.

For special applications version P is available with a very low self heating rate.

Version A10H is VDE approved with 100,000 cycles at 1 Amp and 30,000 cycles at 10 Amps also.

Manual reset: The maximum operating force must not exceed 6 N. The control should not be reset before the starting conditions are reached, meaning there should be a satisfactory cooling down time!

Technical data on request.