



Chipsmall Limited consists of a professional team with an average of over 10 year of expertise in the distribution of electronic components. Based in Hongkong, we have already established firm and mutual-benefit business relationships with customers from,Europe,America and south Asia,supplying obsolete and hard-to-find components to meet their specific needs.

With the principle of "Quality Parts,Customers Priority,Honest Operation,and Considerate Service",our business mainly focus on the distribution of electronic components. Line cards we deal with include Microchip,ALPS,ROHM,Xilinx,Pulse,ON,Everlight and Freescale. Main products comprise IC,Modules,Potentiometer,IC Socket,Relay,Connector.Our parts cover such applications as commercial,industrial, and automotives areas.

We are looking forward to setting up business relationship with you and hope to provide you with the best service and solution. Let us make a better world for our industry!



## Contact us

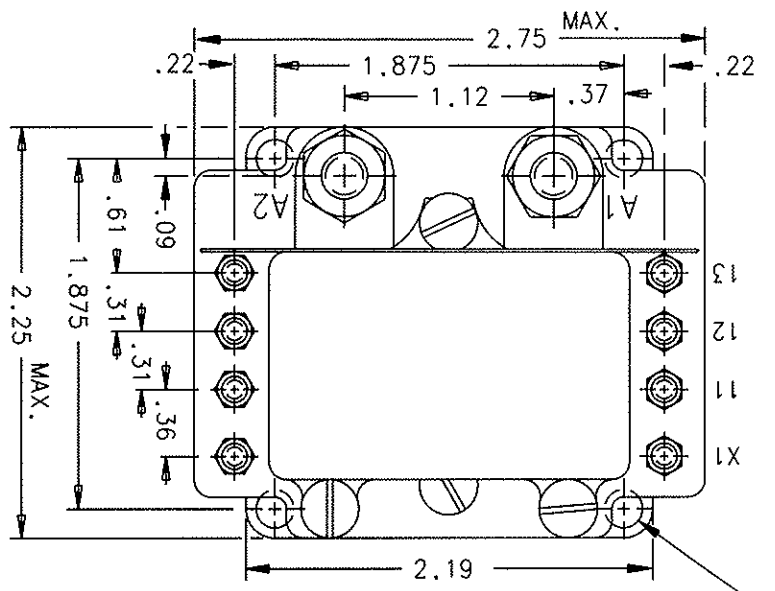
Tel: +86-755-8981 8866 Fax: +86-755-8427 6832

Email & Skype: info@chipsmall.com Web: www.chipsmall.com

Address: A1208, Overseas Decoration Building, #122 Zhenhua RD., Futian, Shenzhen, China



REV.	DESCRIPTION	DATE	APPROVED
K	21709 REPARM. ADDED *SILASTIC SEALED* TO CONSTRUCTION	92/01/10	WS
L	31184 FIND NO 10 ADDED. QTY WAS 2 ON FIND NOS 4 & 8	96/10/14	RS
M	42110 FIND NO 10 WAS 39529-055. NOTE 1 ADDED	00/03/31	RS
N	0071-04 REMOVED ITEM 10. ITEM 3 WAS 41895-001	04/06/01	CS



203 DIA. HOLE  
4 MTG. HOLES  
SEE NOTE 1

CONSTRUCTION

MAIN CONTACTS

CONFIGURATION  
VOLTAGE (NOM.)  
CURRENT RES.  
INRUSH

AUXILIARY CONTACTS

CONFIGURATION  
VOLTAGE  
CURRENT RES.  
IND.

COIL DATA

MAX OPERATE  
MIN OPERATE  
PICKUP AT 25°C  
DROPOUT  
RES AT 25°C  
DUTY CYCLE

ENVIRONMENTAL DATA  
AMBIENT TEMP  
LIFE ELECTRICAL  
LIFE MECHANICAL  
WEIGHT MAX

GASKET SEALED,  
SILASTIC SEALED

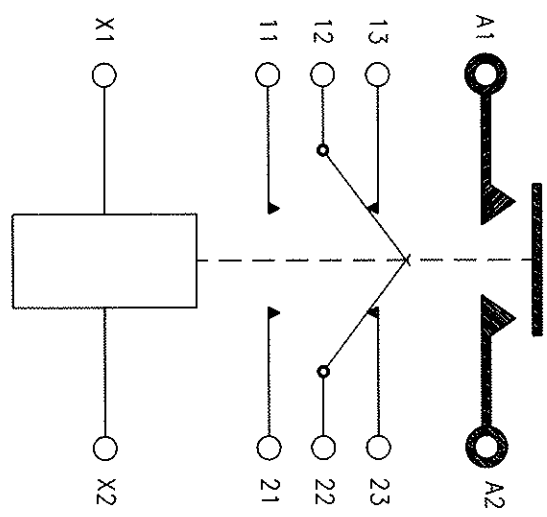
SPST N.O.

28 VDC  
200 AMP  
800 AMP CARRY ONLY

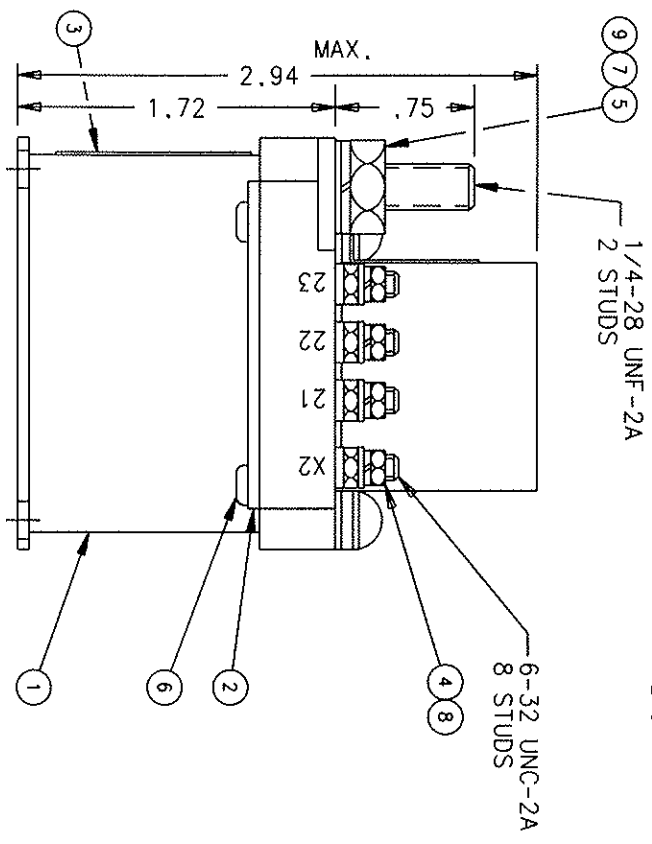
D.P.D.T.  
28 VDC.  
5 AMP  
3 AMP

32 VDC  
24 VDC  
16.5 V. MAX.  
0.5 TO 7 VDC  
70 OHM ± 20%  
CONTINUOUS

-55°C TO + 71°C  
50,000 CYCLES MIN  
100,000 CYCLES MIN  
1 LB 10 OZ



NOTE:  
1. PAINT REMOVED FROM 2 OPPOSITE  
MTG HOLES, TOP & BOTTOM, FOR  
GROUNDING PURPOSES.



1/4-28 UNF-2A  
2 STUDS

6-32 UNC-2A  
8 STUDS

FIND NO	QTY	REPOD	PART OR IDENTIFYING NO	NON-ENCLATURE OR DESCRIPTION	FSD NO	DRAWING OR SPECIFICATION	MATERIAL OR NOTE
9	2		51807-034	WASHER-LOCK-NO. 1/4 SPL IT			BRONZE
8	8		51808-014	WASHER-LOCK-NO. 6 SPL IT			BRONZE
7	2		51703-064	WASHER-FLAT-1/2 X 17/64 X.032			BRONZE
6	4		51200-020	SCREW-NO. 4 X 1/4 PAN HD.			BRASS
5	2		50407-364	NUT-1/4-28 X 7/16 X 3/16 HEX			STAINLESS STEEL
4	8		50406-014	NUT-6-32 X 3/16 X 5/64 HEX			BRASS
3	1		47618-004	PLATE-NAME			BRASS
2	2		34290-001	PLATE - COVER			
1	1		32659-030	CONTACTOR ASSEMBLY - PRI.			

2 PL DEC.13 PL DEC.1 ANGLES *.06    *.010    * 1"		UNLESS OTHERWISE SPECIFIED DIMENSIONS ARE IN INCHES TOLERANCES ON		SCALE: NONE SHEET	
SIKORSKY 76550-00902-103		TYCO Electronics Hartford, Conn. 06105-175 N. DIAMOND STREET WANGFIELD, OHIO 44902		CONTACTOR-S.P.S.T. N.O. 200 AMP, 28 VDC 093	
DR BY	RLS 100/05/15	CHK BY	RS 100/05/15	ENGR	JL 100/05/17
MFG	CC 100/05/18	SIZE		CODE IDENT	74063
REF. C		DWG NO. A-1077F		REF TYCO P/N 0-1616055-4	