



Chipsmall Limited consists of a professional team with an average of over 10 year of expertise in the distribution of electronic components. Based in Hongkong, we have already established firm and mutual-benefit business relationships with customers from,Europe,America and south Asia,supplying obsolete and hard-to-find components to meet their specific needs.

With the principle of “Quality Parts,Customers Priority,Honest Operation,and Considerate Service”,our business mainly focus on the distribution of electronic components. Line cards we deal with include Microchip,ALPS,ROHM,Xilinx,Pulse,ON,Everlight and Freescale. Main products comprise IC,Modules,Potentiometer,IC Socket,Relay,Connector.Our parts cover such applications as commercial,industrial, and automotives areas.

We are looking forward to setting up business relationship with you and hope to provide you with the best service and solution. Let us make a better world for our industry!



Contact us

Tel: +86-755-8981 8866 Fax: +86-755-8427 6832

Email & Skype: info@chipsmall.com Web: www.chipsmall.com

Address: A1208, Overseas Decoration Building, #122 Zhenhua RD., Futian, Shenzhen, China

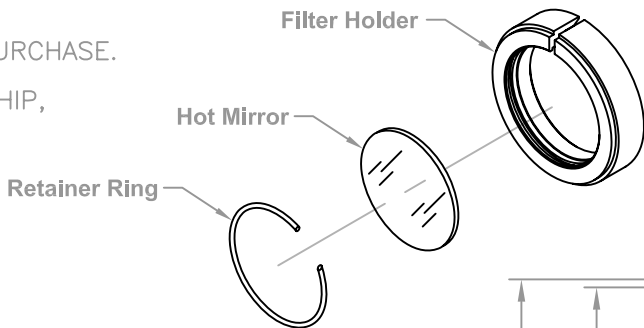


This document contains confidential and proprietary information of Excelitas Technologies. The contents shall not be disclosed, reproduced, duplicated, disseminated or used for purposes other than authorized in writing by Excelitas Technologies.

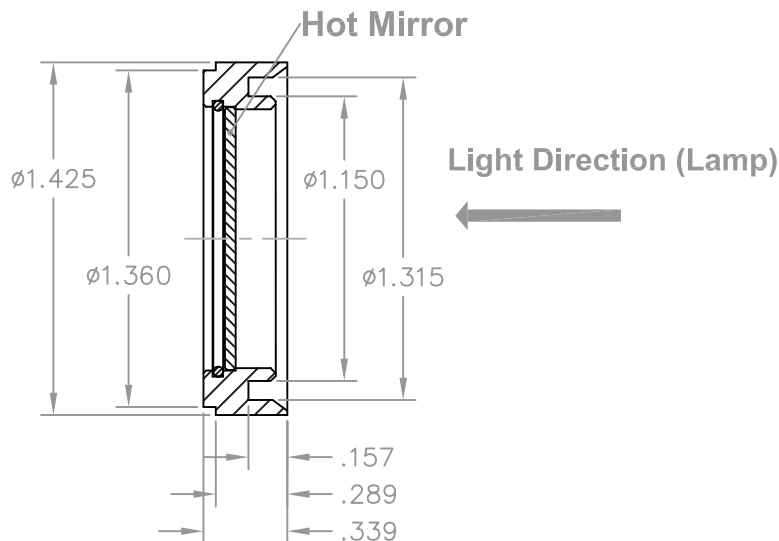
REVISIONS				
ZONE	REV.	DESCRIPTION	DATE	APPROVED
	A	REL/ECN 168128	02/21/06	K.TONG
	B	REV/ECN 171250	02/23/11	H.VUONG
	C	REV/ECN 172037	03/18/11	H.VUONG

NOTES:

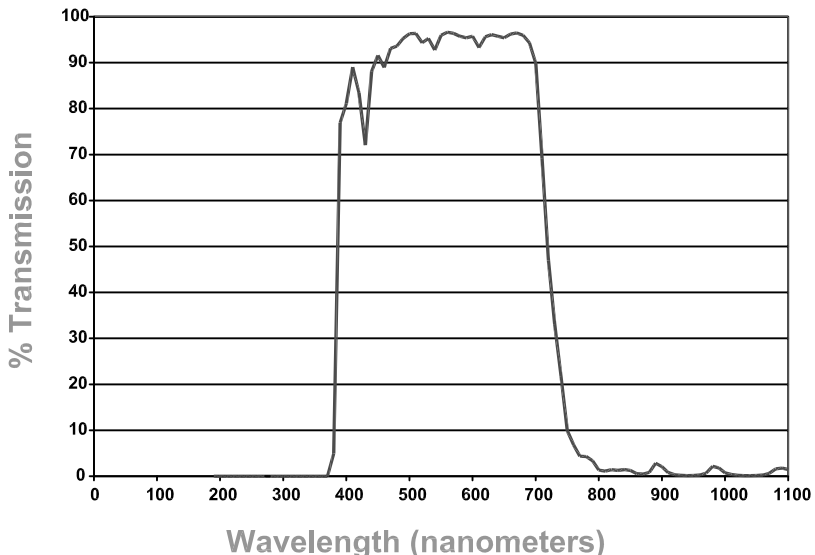
1. INTENDED FOR USE WITH CERMAX LAMPS UP INTO 300 WATTS.
2. WARRANTY: 12 MONTHS FROM DATE OF PURCHASE.
3. WARRANTY COVERS MATERIALS, WORKMANSHIP, AND INITIAL PERFORMANCE.



UNCONTROLLED COPY



NOMINAL TRANSMISSION:



INTERFACE CONTROL DRAWING

UNLESS OTHERWISE SPECIFIED DIMENSIONS ARE IN INCHES TOLERANCES ARE: FRACTIONS ± 1/64 DECIMALS .XX ± .02 XXX ± .005 ANGLES ± 1° SURFACE ROUGHNESS: 125 ✓		CONTRACT NO.		44370 Christy Street Fremont, CA 94538	
MATERIAL:		APPROVALS		TITLE	
FINISH:		DRAWN BY K. TONG		HOT MIRROR FILTER ASSEMBLY	
		CHECKED		A2-003	
		ENGR. K. TONG		DATE 03/19/02	
		PROJ. ENGR. K. TONG		DATE 03/19/02	
		QA		SIZE B	
		M & P		CAGE CODE 31573	
				DWG. NO. 227941	
				REV. C	
				SCALE NONE	
				DO NOT SCALE DRAWING	
				SHEET 1 OF 1	