



Chipsmall Limited consists of a professional team with an average of over 10 year of expertise in the distribution of electronic components. Based in Hongkong, we have already established firm and mutual-benefit business relationships with customers from,Europe,America and south Asia,supplying obsolete and hard-to-find components to meet their specific needs.

With the principle of “Quality Parts,Customers Priority,Honest Operation,and Considerate Service”,our business mainly focus on the distribution of electronic components. Line cards we deal with include Microchip,ALPS,ROHM,Xilinx,Pulse,ON,Everlight and Freescale. Main products comprise IC,Modules,Potentiometer,IC Socket,Relay,Connector.Our parts cover such applications as commercial,industrial, and automotives areas.

We are looking forward to setting up business relationship with you and hope to provide you with the best service and solution. Let us make a better world for our industry!



Contact us

Tel: +86-755-8981 8866 Fax: +86-755-8427 6832

Email & Skype: info@chipsmall.com Web: www.chipsmall.com

Address: A1208, Overseas Decoration Building, #122 Zhenhua RD., Futian, Shenzhen, China



4

3

2

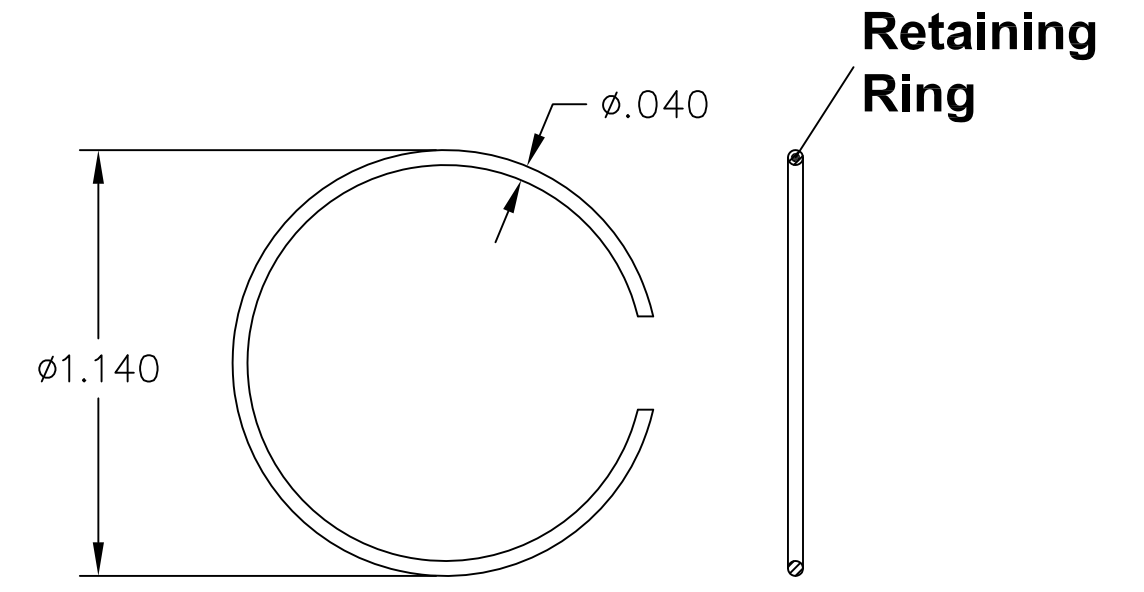
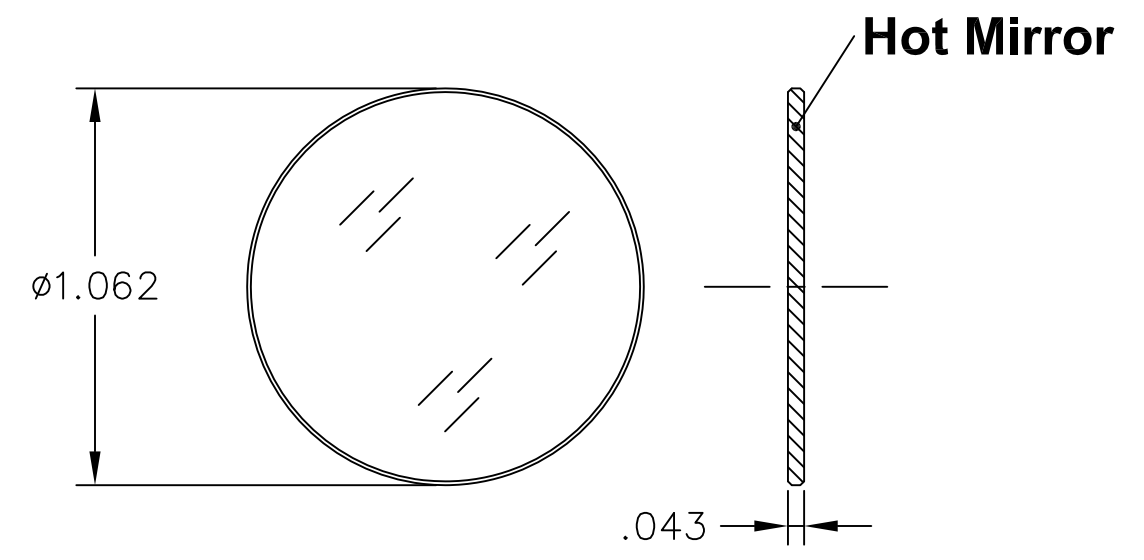
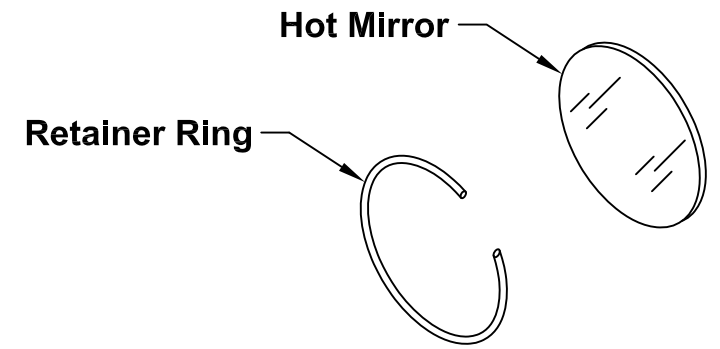
1

This document contains confidential and proprietary information of Excelitas Technologies. The contents shall not be disclosed, reproduced, duplicated, disseminated or used for purposes other than authorized in writing by Excelitas Technologies.

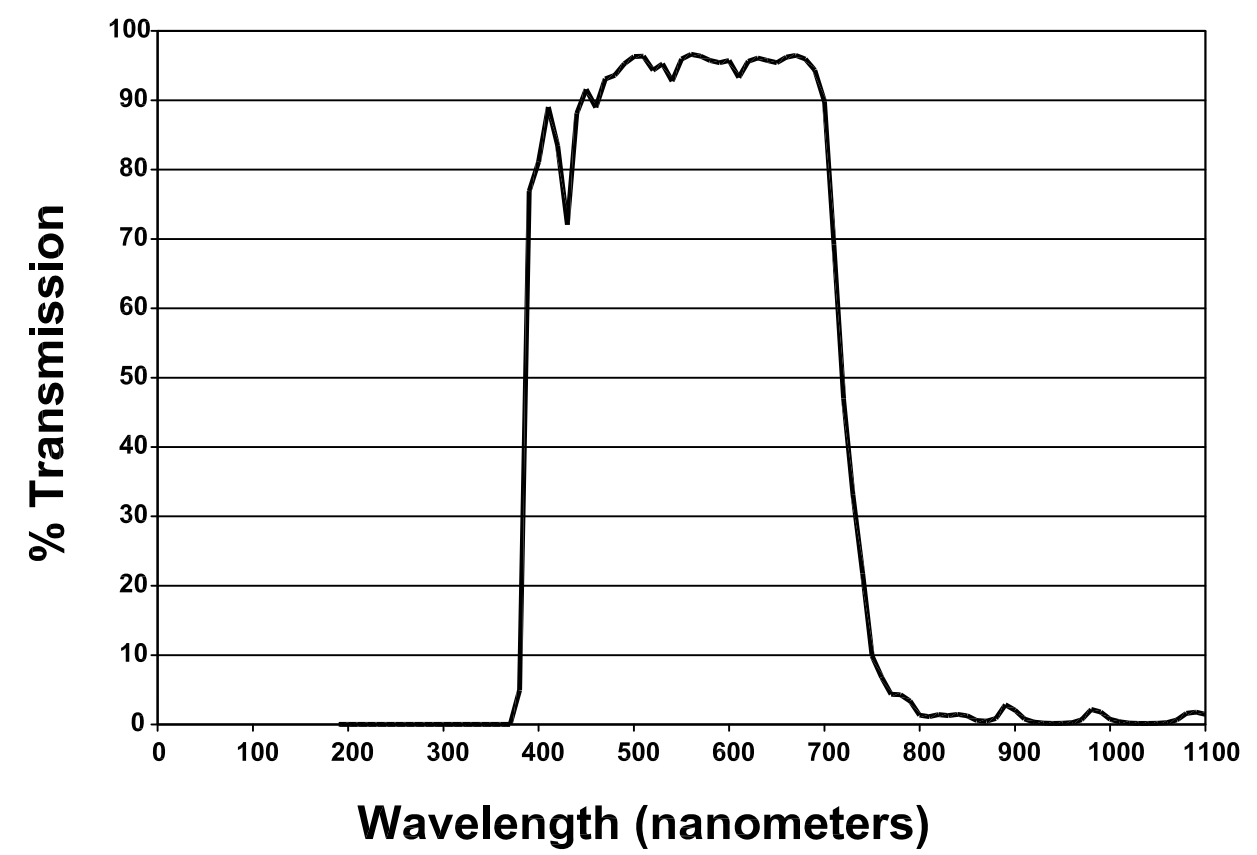
| REVISIONS | | | | |
|-----------|------|----------------|----------|-----------|
| ZONE | REV. | DESCRIPTION | DATE | APPROVED |
| | A | REL/ECN 168243 | 03/06/06 | K. TONG |
| | B | REV/ECN 172976 | 05/11/12 | M. IGUCHI |

NOTES:

1. INTENDED FOR USE WITH CERMAX LAMPS UP TO 300 WATTS.
2. WARRANTY: 12 MONTHS FROM DATE OF PURCHASE.
3. WARRANTY COVERS MATERIALS, WORKMANSHIP, AND INITIAL PERFORMANCE.



NOMINAL TRANSMISSION:



INTERFACE CONTROL DRAWING

| | | | | |
|--|------------------|----------|---|---|
| UNLESS OTHERWISE SPECIFIED DIMENSIONS ARE IN INCHES TOLERANCES ARE: FRACTIONS DECIMALS ANGLES $\pm 1/64$.XX \pm .02 $\pm 1^\circ$.XXX \pm .005 SURFACE ROUGHNESS: 125 ✓ MATERIAL: FINISH: | CONTRACT NO. | | EXCELITAS TECHNOLOGIES 44370 Christy Street Fremont, CA 94538 | |
| | APPROVALS | | | |
| | DRAWN BY K. TONG | | 03/19/02 | TITLE HOT MIRROR + RETAINING RING A2-004 |
| | CHECKED | | | |
| | ENGR. K. TONG | | 03/19/02 | |
| PROJ. ENGR. K. TONG | | 03/19/02 | SIZE B CAGE CODE 31573 DWG. NO. 227942 REV. B | |
| QA | | | SCALE NONE DO NOT SCALE DRAWING SHEET 1 OF 1 | |
| M & P | | | | |

4

3

2

1