



Chipsmall Limited consists of a professional team with an average of over 10 year of expertise in the distribution of electronic components. Based in Hongkong, we have already established firm and mutual-benefit business relationships with customers from,Europe,America and south Asia,supplying obsolete and hard-to-find components to meet their specific needs.

With the principle of “Quality Parts,Customers Priority,Honest Operation,and Considerate Service”,our business mainly focus on the distribution of electronic components. Line cards we deal with include Microchip,ALPS,ROHM,Xilinx,Pulse,ON,Everlight and Freescale. Main products comprise IC,Modules,Potentiometer,IC Socket,Relay,Connector.Our parts cover such applications as commercial,industrial, and automotives areas.

We are looking forward to setting up business relationship with you and hope to provide you with the best service and solution. Let us make a better world for our industry!



## Contact us

Tel: +86-755-8981 8866 Fax: +86-755-8427 6832

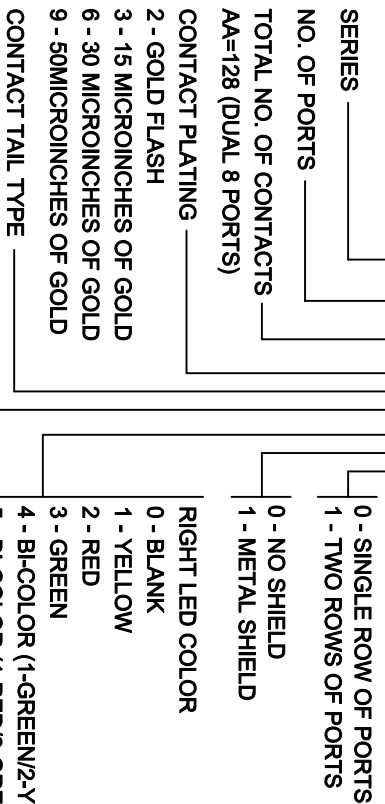
Email & Skype: info@chipsmall.com Web: www.chipsmall.com

Address: A1208, Overseas Decoration Building, #122 Zhenhua RD., Futian, Shenzhen, China



# EDAC PART NO. SYSTEM

A20-108-261-210



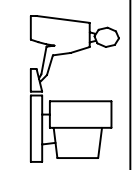
- 0 - SINGLE ROW OF PORTS
- 1 - TWO ROWS OF PORTS
- 0 - NO SHIELD
- 1 - METAL SHIELD
- RIGHT LED COLOR
- 0 - BLANK
- 1 - YELLOW
- 2 - RED
- 3 - GREEN
- 4 - BI-COLOR (1-GREEN/2-YELLOW)
- 5 - BI-COLOR (1-RED/2-GREEN)
- 6 - BI-COLOR (1-GREEN/2-ORANGE)
- 7 - BI-COLOR (1-RED/2-YELLOW)
- 8 - ORANGE
- LEFT LED COLOR
- 0 - BLANK
- 1 - YELLOW
- 2 - RED
- 3 - GREEN
- 4 - BI-COLOR (1-GREEN/2-YELLOW)
- 5 - BI-COLOR (1-RED/2-GREEN)
- 6 - BI-COLOR (1-GREEN/2-ORANGE)
- 7 - BI-COLOR (1-RED/2-YELLOW)
- 8 - ORANGE

- (CODE 4) GREEN 10 → 9 GREEN (CODE 6)
- YELLOW 12 → 11 ORANGE
- RED 10 → 9 RED (CODE 7)
- GREEN 12 → 11 YELLOW

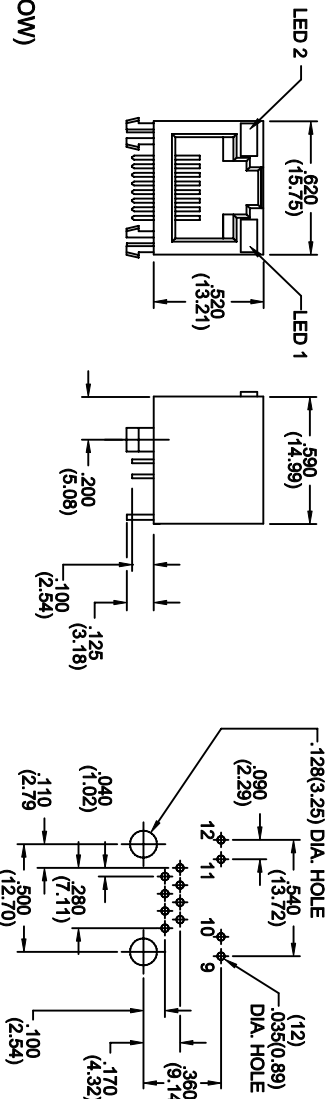
TYP. FOR SINGLE COLOR LEDS



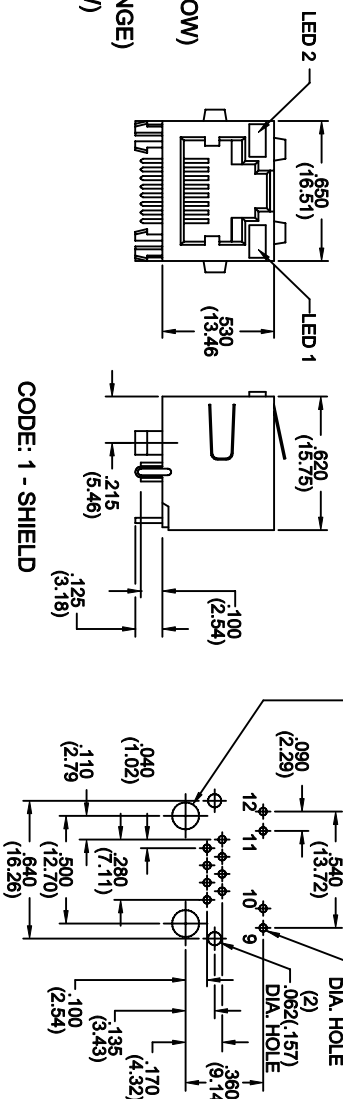
THIS IS A C.A.D. GENERATED DRAWING  
DO NOT MAKE MANUAL REVISIONS TO MASTER.



ISSUE NUMBER  
ORIGINAL ①



CODE: 0 - NO SHIELD



CODE: 1 - SHIELD



THIS SERIES FULLY CONFORMS TO THE  
EUROPEAN UNION DIRECTIVES 2002/95/EC  
AND 2002/96/EC FOR ROHS COMPLIANCY.

## MODULAR JACKS WITH LED'S PART NUMBER STRUCTURE

**EDAC INC.**  
TORONTO, ONTARIO  
CANADA

THESE DRAWINGS AND SPECIFICATIONS  
ARE THE PROPERTY OF EDAC INC. AND  
SHALL NOT BE REPRODUCED OR COPIED  
OR USED AS THE BASIS FOR THE  
MANUFACTURE OR SALE OF APPARATUS  
WITHOUT WRITTEN PERMISSION.

ACAD REFERENCE NO.	A20-000-SALES
DRAWN: R.BLAKEY	DATE: JAN 27/06
PART NUMBER	A20-000-000
DRAWING NUMBER	A20-000-000
ISSUE	1