



Chipsmall Limited consists of a professional team with an average of over 10 year of expertise in the distribution of electronic components. Based in Hongkong, we have already established firm and mutual-benefit business relationships with customers from,Europe,America and south Asia,supplying obsolete and hard-to-find components to meet their specific needs.

With the principle of “Quality Parts,Customers Priority,Honest Operation,and Considerate Service”,our business mainly focus on the distribution of electronic components. Line cards we deal with include Microchip,ALPS,ROHM,Xilinx,Pulse,ON,Everlight and Freescale. Main products comprise IC,Modules,Potentiometer,IC Socket,Relay,Connector.Our parts cover such applications as commercial,industrial, and automotives areas.

We are looking forward to setting up business relationship with you and hope to provide you with the best service and solution. Let us make a better world for our industry!



## Contact us

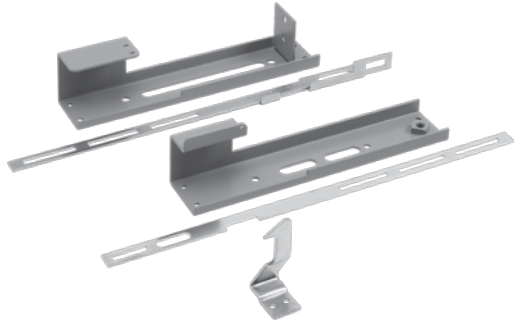
Tel: +86-755-8981 8866 Fax: +86-755-8427 6832

Email & Skype: info@chipsmall.com Web: www.chipsmall.com

Address: A1208, Overseas Decoration Building, #122 Zhenhua RD., Futian, Shenzhen, China



### OPERATOR ADAPTERS FOR UNIVERSAL CUTOUTS



Used on all Hoffman disconnect enclosures with a universal flange cutout.

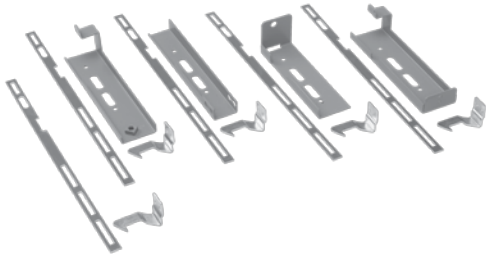
An operator adapter is required to install a disconnect in Bulletin A21, A28 and A34 Hoffman enclosures that have a universal cutout. Operator adapters include an adapter plate and additional

components needed to interlock the master door with the disconnect operating mechanism. Panel drilling and installation instructions are furnished with each operator adapter. Each brand and type of disconnect requires a different operator adapter. Be sure to select the correct operator adapter and enclosure for the disconnect device selected.

#### BULLETIN: A80

Catalog Number	Brand and Type of Operator
A21ABA	Allen-Bradley 1494F and 1494D fixed-depth mechanisms
A21ABVA	Allen-Bradley 1494V variable-depth mechanisms; Allen-Bradley 140U, 140G, 1494C, and 194RC cable-operated mechanisms
A21CHVA	ABB Controls variable-depth; S1, S2, T5 cable size; Cutler-Hammer C361, C371, and C371 Flex Shaft
A21WHA	Eaton Cutler-Hammer/Westinghouse SM mechanisms
A21WHAMTA	Eaton Cutler-Hammer/Westinghouse AMT and flex-cable mechanisms
A21GETDA	General Electric STDA and flex-cable mechanisms
A21ITE	Siemens I-T-E Max-Flex™; ABB Controls Cable S3-S5, S6, S7
A21SDA	Square D® Class 9422 variable-depth and flex-cable mechanisms

### OPERATOR ADAPTERS FOR PREFERRED CUTOUTS



An operator adapter is required to install a disconnect in Bulletin A21S4, A28S4 and WS2D Hoffman enclosures that have a preferred cutout. Operator adapters include components needed to interlock the master door with the disconnect operating mechanism. Panel drilling and installation instructions are furnished with each operator adapter.

Each brand and type of disconnect requires a different operator adapter. Be sure to select the proper operator adapter and enclosure for the disconnect that you have selected.

#### BULLETIN: A28Y

Catalog Number	Brand and Type of Operator
APCABVA	Allen-Bradley 1494V variable-depth Allen-Bradley 140U, 140G and 1494C cable-operated mechanisms
APCCHVA	Eaton Cutler-Hammer C361, C371 and C371 Flex Shaft™
APCGETDA	General Electric STDA
APCITE	Siemens I-T-E Max-Flex™
APCSDA	Schneider Square D® Class 9422 variable-depth and cable mechanisms

### BLANK ADAPTER PLATES, MILD STEEL



Used to cover flange cutouts in disconnect enclosures when disconnects are not installed. This greatly increases the versatility of disconnect enclosures enabling them to also be used as regular Type 12 enclosures.

Hoffman adapter plates are made from heavy gauge steel and have an oil-resistant gasket to maintain a dust-tight and oil-tight seal. Mounting hardware and instructions are included.

Door hardware is not furnished with blank adapter plate. Door hardware must be ordered separately from the disconnect manufacturer when using catalog numbers A22BAP on Bulletin A22 Enclosures and A3456BAP on Bulletin A25 Enclosures.

#### BULLETIN: A80

Catalog Number	For Mild Steel Enclosure Bulletin Number
A21BAP	A21, A28, A34 (Universal Cutouts)
A22BAP	A22 only
A3456BAP	A19, CW1, A25, A26 (Preferred Cutouts)

A22BAP will fit all Bulletin A22 enclosures except A48AB3812A2LP and A60AB3812A2LP.

A3456BAP will fit all Bulletin A25 enclosures except A60SA3812A2LP.

**BLANK ADAPTER PLATES, STAINLESS STEEL**

Used to cover flange cutouts in disconnect enclosures when disconnects are not installed. Hoffman adapter plates are made from heavy gauge Type 304 stainless steel and have an oil-resistant gasket to maintain the dust-tight and oil-tight qualities of the enclosure. The plates have a #4 brushed finish. All necessary mounting hardware and instructions are included.

**BULLETIN: A80**

Catalog Number	For Enclosure Bulletin Number
AZ128BAPSS	A19S, CWS, AZ1S4, A28S4 and WS2D with preferred cutouts

**ENCLOSURE STABILIZERS**

Helps prevent injury to workers by stabilizing floor-mount enclosures which are not bolted down. To install, slip the stabilizer under the floor stand and tighten two thumb screws. Made from .19-in. (5-mm) steel plate. Bright orange finish.

**BULLETIN: A80**

Catalog Number	Description
AENST	Two stabilizers